

Owner's Manual with Installation Instructions

Dual Gauge Pod Install Manual

Universal Fitment

THIS MANUAL IS FOR USE WITH PART NUMBER 63344

Gale Banks Engineering
546 Duggan Avenue • Azusa, CA 91702
(626) 969-9600 • Fax (626) 334-1743

Product Information & Sales: (888) 635-4565
Customer Support: (888) 839-5600
Installation Support: (888) 839-2700

bankpower.com

Section 1

General Assembly: 63344

Item	Description	Part#	Qty
1	Mounting Arm, 17mm Ball	63344-3	1
2	Nut, Thumb, M24x2, Plastic	63344-4	1
3	Friction Pad	63344-5	1
4	Housing, 52mm Gauge Pod	63341-1	2
5	Dual Gauge Pod Connector	63344-6	1
6	Mount, Sticky Base, With Banks Lever	63341-6	1
6.1	Suction Cup Base	—	1
6.2	Bolt, Carriage, M4x0.7 X 48mm, Black	—	1
6.3	Nut, Thumb, M4x0.7	—	1
7	Screw, Socket Head Cap, 8-32 X 1-1/8 Zinc	91927	2

Figure 1,
Exploded View

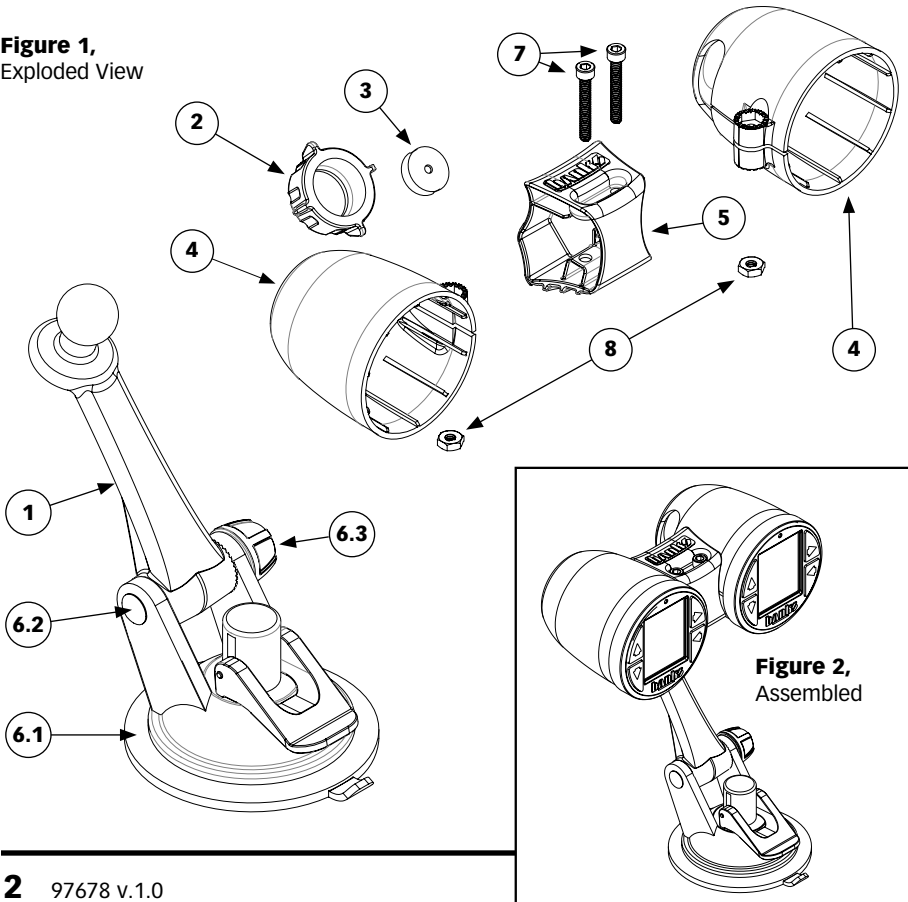


Figure 2,
Assembled

Dear Customer,

If you have any questions concerning the installation of your Banks Dual Gauge Pod, please call our Technical Service Hotline (888) 839-2700 between 7:00 am and 4:00 pm (PT).

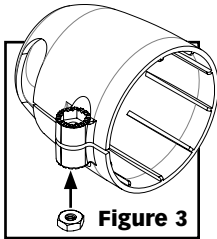
If you have any questions about shipping or billing, please contact our Customer Service Department (888) 839-5600.

Thank you.

1. Before starting work, familiarize yourself with the installation procedure by reading all of the instructions.
2. The exploded views (See **Figure 1 & Figure 2**) provide only general guidance. Refer to each step and section diagram in this manual for proper instruction.

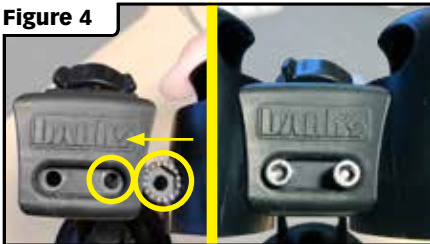
1.0 ASSEMBLY

1. Insert the Nut into the bottom of the Gauge Pod. See **Figure 3**.



2. Slide the Gauge Pod into the Dual Gauge Pod Connector, and line up the holes from the top. Now, insert the bolts from the top and tighten down. See **Figure 4**.

Figure 4



3. Insert the rubber friction pad into the back of the Dual Gauge Pod Connector. See **Figure 5** Make sure the orientation of the friction pad is correct. See **Figure 6**.

Figure 5

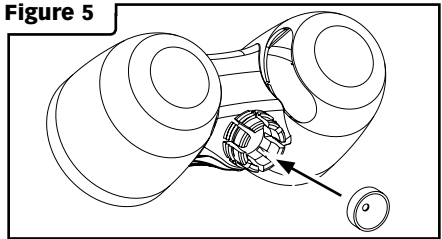
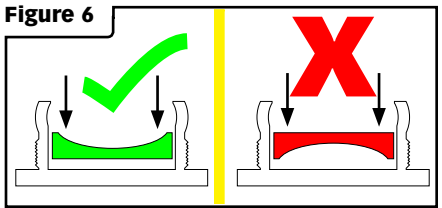
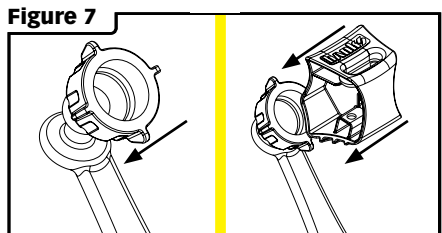


Figure 6



4. Place the nut on the head of the Mount Arm, then push the Dual Gauge Pod Connector and the Mount Arm together. After, tighten the nut. See **Figure 7**.

Figure 7



Gale Banks Engineering
546 Duggan Avenue • Azusa, CA 91702
(626) 969-9600 • Fax (626) 334-1743

Product Information & Sales: (888) 635-4565
Customer Support: (888) 839-5600
Installation Support: (888) 839-2700

bankspower.com