

Owner's Manual with Installation Instructions

Banks Monster[®] Sport Exhaust System

**2004-2007 Dodge 5.9L HO Cummins
(325 HP, 600 FT-lbs) ISB Pickup Trucks
Including Mega Cab Cat-Back**

THIS MANUAL IS FOR USE WITH SYSTEMS 48778, 48779 & 48780

Gale Banks Engineering
546 Duggan Avenue • Azusa, CA 91702
(626) 969-9600 • Fax (626) 334-1743

Product Information & Sales: (888) 635-4565
Customer Support: (888) 839-5600
Installation Support: (888) 839-2700

bankspower.com

Also Available from Banks Power

03-07 Dodge 5.9L



Banks iQ System (P/N 61148-61149)

- 5" touchscreen interface that can control the Banks Diesel Tuner on the fly.
- Interchangeable gauge display, read and clear codes, monitor engine diagnostics, log data, time your vehicles runs and much more.

Banks Ram-Air Intake System (P/N 42145)

- Increases your airflow over stock.
- Adds power, improves fuel economy, lowers EGTs and reduces smoke.

Banks Ram-Air Intake Super-Scoop (P/N 42190-42191)

- Adds cooler denser air to the Ram-Air Intake housing, further increasing fuel economy, reducing smoke and lowers EGTs.

Banks Monster-Ram (P/N 42765-42766)

- Increased flow from intercooler
- Raises boost without increasing backpressure at the turbine

Big Hoss Intake Manifold System (P/N 42747)

- Increases flow and provides more uniform air distribution to the engine for more available power at a given boost level.

Banks Techni-Cooler® System (P/N 25980-25981)

- Provides increased air flow to the engine by increasing air density for more increased power, lower EGTs and improved fuel economy.

Banks Exhaust Brake (P/N 55222-55229)

- Increases the stopping power of your truck and extends the service life of your brakes

Banks SmartLock (P/N 55270)

- Reduces wear on transmission
- Locks Torque Converter and raises trans-line pressure
- Works with Banks Exhaust Brake

**Banks Billet Torque Converter
(P/N 72515)**

- Higher torque capacity over stock
- Lockup clutch is slip-resistant so transmission fluids stay cooler and transmission life is prolonged.

**Banks Bullet
(P/N 66522-66523)**

- Adds power safely to your vehicle
- Displays critical engine functions
- Engine safeguards
- Change power levels on-the-fly

**Boost and Pyro Gauges
(P/N 64507)**

- Keep your engine safe by monitoring vital engine parameters.

**Banks Diesel Tuner
EconoMind w/switch (P/N 63725,
63793, 63795, 64507)
EconoMind w/iQ (P/N 63807, 63808,
63817, 63818)**

Six-Gun w/switch (P/N 61022, 63797)

Six-Gun w/iQ (P/N 63809, 63819)

- Adds power safely to your vehicle
- Engine and transmission safeguards
- Change power levels on-the-fly

Thermocouple

- Add a temperature limiting function to your Diesel Tuner .

**Banks BigHead® Actuator
(P/N 24331)**

- Achieves a higher peak boost over stock and gives you precise boost control that gives you crisp acceleration and more mid-range pulling power.

**Banks Stinger Systems
(P/N 49692-49699, 49708-49711,
49716-49721)**

Contains:

- Ram-Air Intake system
- Monster Exhaust (single or dual)
- EconoMind Tuner w/ Banks iQ
- Big Head Wastegate Actuator

**Banks PowerPack Systems
(P/N 49700-49707, 49712-49715,
49722-49727)**

Contains:

- Ram-Air Intake system
- Monster Exhaust (single or dual)
- EconoMind Tuner w/ Banks iQ
- Big Head Wastegate Actuator
- Monster-Ram
- Techni-Cooler System

**Banks Six-Gun Bundle
(P/N 49728-49735, 49744-49747,
49752-49757)**

Contains:

- Ram-Air Intake system
- Monster Exhaust (single or dual)
- Six-Gun Tuner w/ Banks iQ
- Big Head Wastegate Actuator

**Banks Big Hoss Bundle
(P/N 49736-49743, 49748-49751,
49758-49763)**

Contains:

- Ram-Air Intake system
- Monster Exhaust (single or dual)
- Six-Gun Tuner w/ Banks iQ
- Big Head Wastegate Actuator
- Monster-Ram
- Techni-Cooler System

**For More Information please call (888) 635-4565
or Visit us online @ www.bankspower.com**

General Installation Practices

Dear Customer,

If you have any questions concerning the installation of your Banks Power System, please call our Technical Service Hotline at (888) 839-2700 between 7:00 am and 4:00 pm (PT). If you have any questions relating to shipping or billing, please contact our Customer Service Department at (888) 839-5600.

Thank you.

1. For ease of installation of your Banks system, familiarize yourself with the procedure by reading the entire manual before starting work.
2. The general assembly diagram (**Figure 1**) provides only general guidance. Refer to each step and section diagram in this manual for proper instruction.
3. Throughout this manual, the left side of the vehicle refers to the driver's side, and the right side to the passenger's side.
4. Disconnect the ground cable from the battery (or batteries, if there are two) before beginning work.
5. Route and tie wires and hoses a minimum of 6" away from exhaust heat, moving parts and sharp edges. Clearance of 8" or more is recommended where possible.
6. When raising the vehicle, support it on properly weight-rated safety stands, ramps or a commercial hoist. Follow

the manufacturer's safety precautions. Take care to balance the vehicle to prevent it from slipping or falling. When using ramps, be sure the front wheels are centered squarely on the topsides; put the transmission in park; set the hand brake; and place blocks behind the rear wheels.

CAUTION! Do not use floor jacks to support the vehicle while working under it. Do not raise the vehicle onto concrete blocks, masonry or any other item not intended specifically for this use.

7. During installation, keep the work area clean. Do not allow anything to be dropped into intake, exhaust, or lubrication system components while performing the installation, as foreign objects will cause immediate engine damage upon start-up.

Tools Required:

- 1/2" and 3/8" drive ratchets with inch and metric sockets and 1/2" and 3/8" drive extension
- Inch and metric combination or open-end wrenches
- Standard screwdriver
- Clean shop towels or rags
- Pry-bar

Highly recommended tools and supplies:

- Inch-pound and foot-pound torque wrenches
- oxy-acetylene torch
- Penetrating oil or light lubricant spray

Monster Sport Exhaust System Installation

1. As a precaution, disconnect the ground of the battery (if there is more than one battery, disconnect both).

2. Raise the vehicle and support it with properly weight rated safety stands, ramps or a commercial hoist. Follow the manufacturer's safety precautions. Take care to balance the vehicle to prevent it from slipping or falling. When using ramps, be sure the front wheels are centered squarely on the topsides; place the transmission in park; set the parking brake and place blocks behind the rear wheels.

CAUTION: DO NOT WORK UNDER ANY VEHICLE SUPPORTED ONLY BY A JACK. SEVERE INJURY MAY RESULT.

WARNING! The following step may require the use of a torch and/or saw. Proper safety equipment should be used. Failure to use proper safety equipment may result in severe injury.

3. Starting at the rear of the vehicle, remove the tailpipe near the muffler clamps by cutting through the connection or by removing the clamps and heating the joints with an oxy-acetylene torch to allow crimped pipes to separate. Remove the tailpipe from the vehicle.

4. Remove the clamps on the catalytic converter to the front muffler or if applicable, the intermediate pipe connection. **TAKE CAUTION TO NOT CUT OR DAMAGE CATALYTIC CONVERTER TUBING DURING THE REMOVAL PROCESS.** Separate the muffler/ intermediate pipe to catalytic converter connection.

Note: the use of an oxy-acetylene torch may be necessary. Remove the muffler

hanger pins from the rubber hangers with a pry bar (Spray lubricant will ease hanger removal) and remove the muffler/intermediate pipe or muffler assembly from the vehicle.

IMPORTANT: If the vehicle is equipped with a catalytic converter, it should be inspected. Diesel catalysts may become plugged with soot and can cause a restriction to exhaust flow, impeding performance. Shine a powerful flashlight into the inlet end of the converter. Observe the light through the other end of the converter. The full circle of the flashlight should be visible without any blockage in the grid work of the catalyst. If excessive soot is observed, the catalyst may need to be cleaned. TAKE PRECAUTIONS to avoid blowing soot toward the work area or where it could be inhaled. ALWAYS use breathing protection. Also inspect the catalyst for damage (i.e. chips, bent corners, etc.) to the grid work. If your catalytic converter is damaged, it may be covered under your vehicle's emissions warranty.

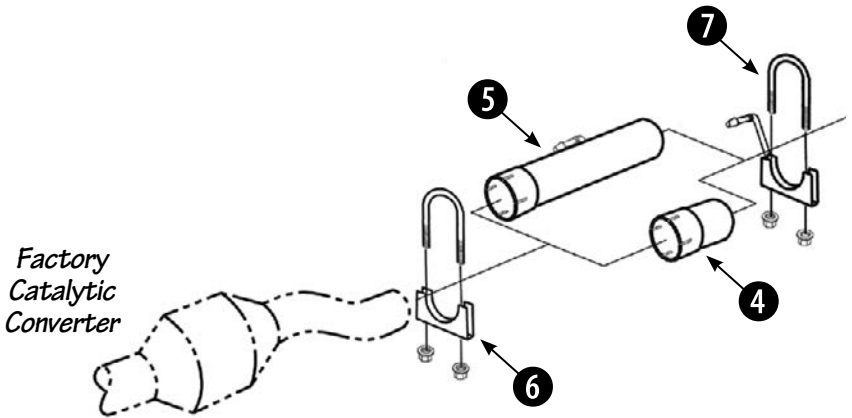
5. For Crew Cab Long Bed & Mega Cab models (160.5" wheelbase) ONLY, install a 4" exhaust clamp onto the front of the Banks intermediate pipe. Install the intermediate pipe onto the catalytic converter outlet. Install the intermediate pipe hanger onto the corresponding rubber hanger. Loosely snug the 4" clamp.

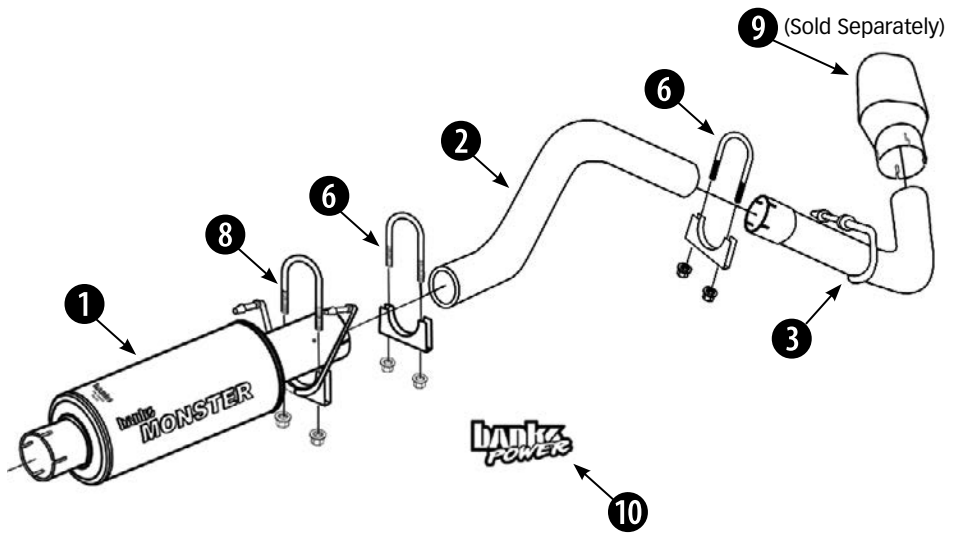
6. For all other models, Install a 4" exhaust clamp onto the front of the Banks Extension pipe. Install the extension pipe onto the catalytic converter outlet. Loosely snug the 4" clamp.

General Assembly Diagram

Figure 1

Item	Description	Qty	P/N
1	Muffler	1	53811
*2	Front Tailpipe	1	53277
†3	Rear Tailpipe	1	53318
4	Intermediate Pipe, SCLB/CCSB	1	53570
§5	Intermediate Pipe, CCLB	1	53460
6	Exhaust Clamp, 4"	3	52476
7	Front Muffler Hanger Clamp	1	53284
8	Rear Muffler Hanger Clamp	1	53286
9	Tailpipe Tip, 5" (Sold Separately)	1	52930
10	Urocal, Banks Power	2	96009
*Mega Cab model uses Front Tailpipe 53281			
†Mega Cab model uses Rear Tailpipe 53469			
§Mega Cab model uses intermediate pipe 53462			





7. Install the front muffler hanger clamp onto the Banks Monster Muffler inlet with the hanger pin facing the front of the vehicle. Install the Banks Monster Muffler (note the muffler inlet labeling) onto the intermediate pipe / catalytic converter. Install the front hanger pin into the corresponding rubber hanger (see **Figure 2**). With the muffler inlet fully inserted, loosely tighten the hanger clamp on the muffler inlet swedge.

8. Install the rear hanger clamp onto the muffler outlet with the hanger pins facing the muffler. Also install a 4" exhaust clamp on the muffler outlet. Insert the two (2) hanger pins into the rear rubber hangers and adjust the hanger clamp to a position that best supports the muffler. (see **Figure 2**).

9. Route the front tailpipe over the rear axle housing and install onto the Monster muffler outlet. Be sure that

the two pipes are completely engaged. Loosely snug the 4" hanger clamp. **8.** Install a 4" exhaust clamp onto the inlet of the rear tailpipe. Install the rear tailpipe onto the outlet of the front tailpipe. Insert the rear tailpipe hanger pin into the factory rubber hanger. Rotate the tailpipe until the hanger pins are parallel with the frame mounted pin. Slide the 4" clamp and position as shown in **Figure 3**. Loosely snug the 4" clamp.

Notes: Maintain an adequate air gap clearance of one (1) inch between the exhaust and the shock absorber and between the exhaust and the spare tire.

Minimum distance between exhaust tip and body is one (1) inch. **9.** Adjust each of the pipes to ensure that all of the hanger pins are parallel with the frame mounted pins and that the rubber hangers are all positioned slightly forward (**Figure 4**). The

Figure 2

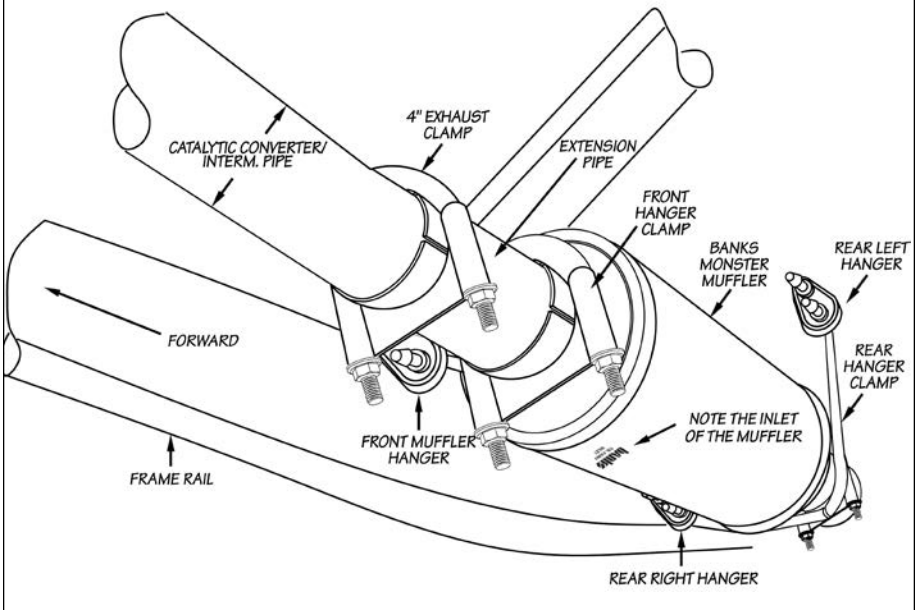


Figure 3

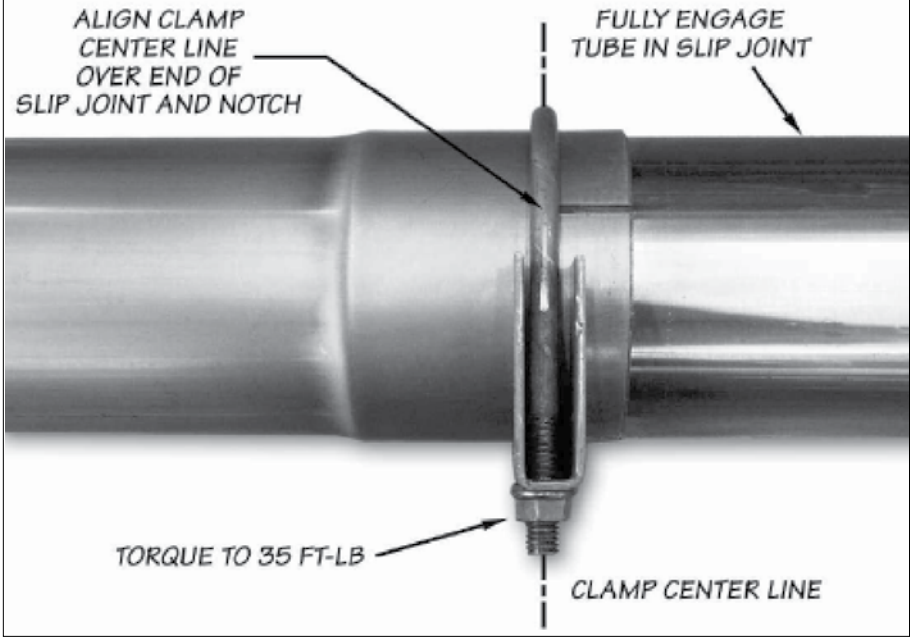
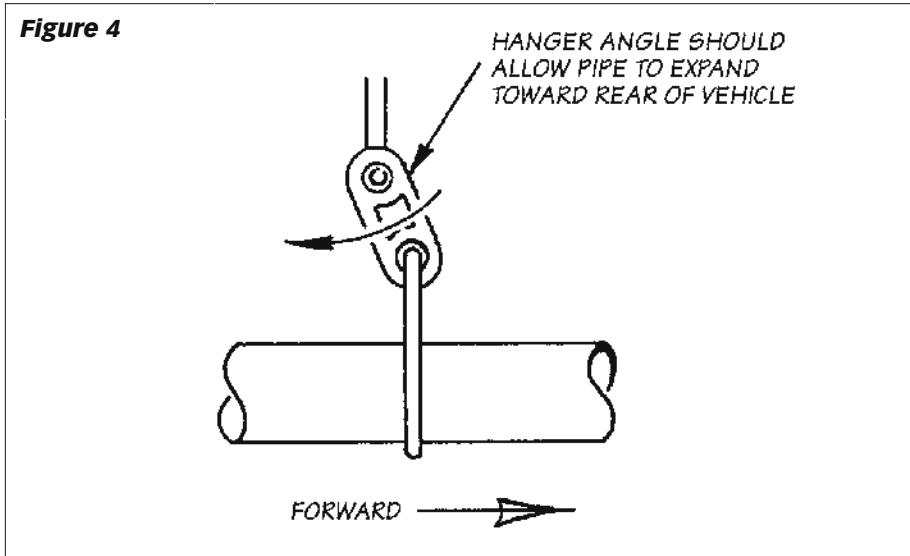


Figure 4



amount of forward angle on the rubber hangers should increase the farther downstream the hanger is positioned. This allows the hangers to be properly positioned once the exhaust system reaches operating temperature.

10. **Figure 3** illustrates the proper location of an exhaust clamp on a tubing joint. Torque the nuts on each of the exhaust clamps to 35 ft-lb. Note: The clamps only need to be tight enough to form a seal and hold the pipes together. Over tightening the clamps may cause the system to leak due to the pipe being crimped.

*Note: If installing optional tailpipe tip, cut off 4" from the tailpipe outlet before installing the tailpipe into Banks Monster Muffler. See **Figure 4**.*

If not installing the optional Banks Tailpipe Tip, skip to step 13.

11. Insert the optional tailpipe tip over the tailpipe outlet. Adjust the tip past the edge of the body or where aesthetically pleasing. Torque the band clamp to 35 ft-lb.

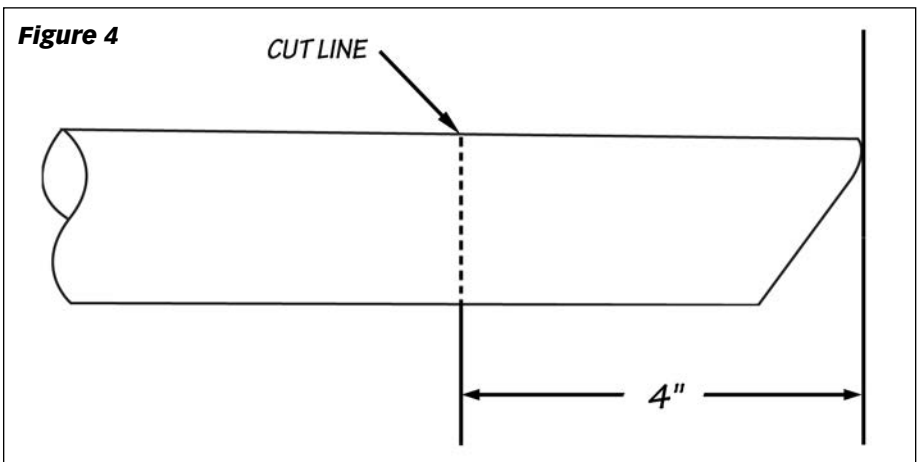
12. Remove the protective covering from the tailpipe tip.

CAUTION: The protective covering may ignite and burn if not removed prior to running the engine.

13. With everything positioned properly, begin to tighten the clamps starting with the ones closest to the turbo and working your way back. Evenly torque the exhaust clamps to 35 ft-lbs. Make sure that each slip is fully inserted (+/- 1/4 inch).

14. Your system includes two (2) Banks power logos. The logos can be mounted 1/2" to 1" above the "Cummins Turbo Diesel" emblem on the driver-side and passenger-side front fenders.

15. Re-connect the negative battery cable. Start the engine and listen for exhaust leaks. Tighten the exhaust clamps as necessary. Whenever possible, tack weld slip connections to prevent disengagement is recommended. The Banks Monster Exhaust installation is now complete.



Notes

Gale Banks Engineering
546 Duggan Avenue • Azusa, CA 91702
(626) 969-9600 • Fax (626) 334-1743

Product Information & Sales: (888) 635-4565
Customer Support: (888) 839-5600
Installation Support: (888) 839-2700

bankspower.com