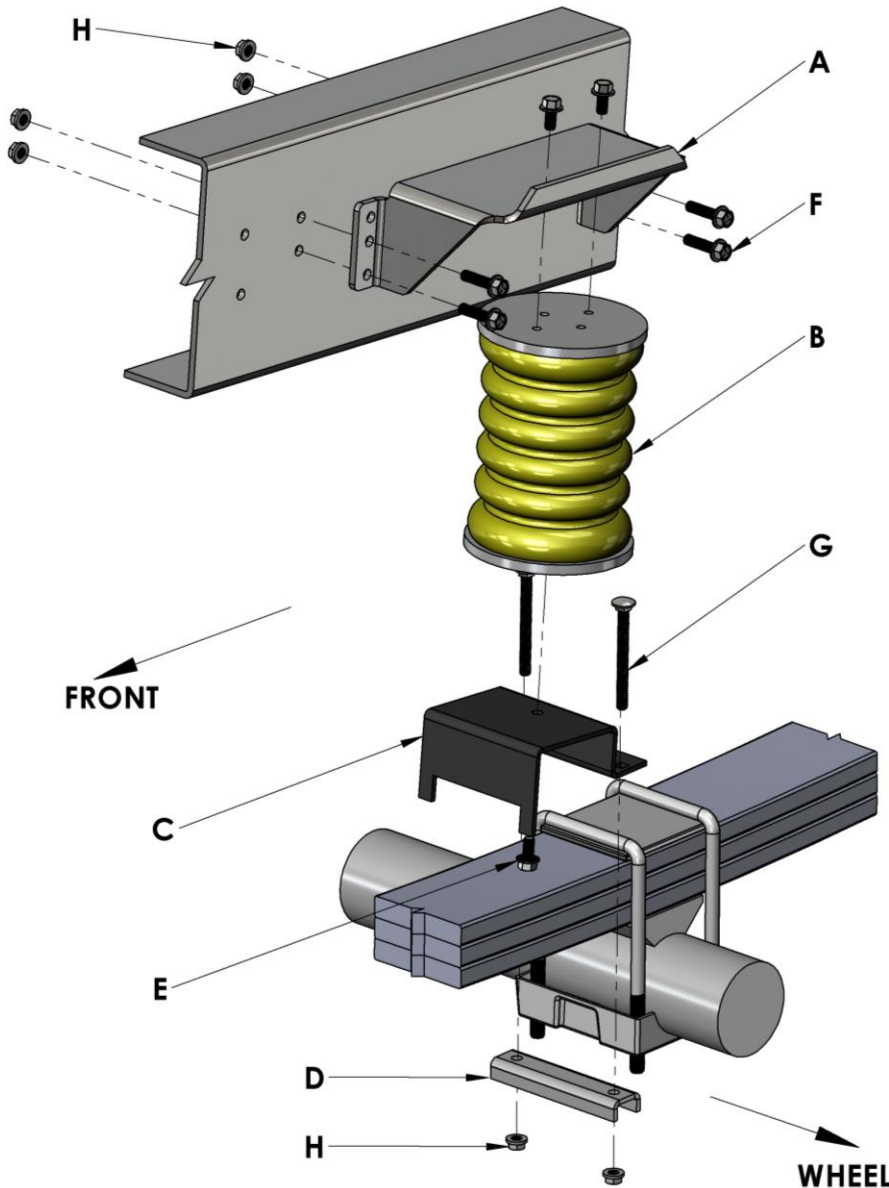


SumoSprings Rear

Ford F53 Motor Home (20K-22K GVWR)
[2005 ~ present]
Part #SSR-180-54-1

Drivers Side (Passenger Side Similar)

Parts List



Item	Part #	Description	Quant.
A	512037	Upper frame bracket	2
B	511401	SumoSpring	2
C	512108	Lower bracket	2
D	512042	U- bracket strap	2
E	512207	3/8-16 x 3/4" serrated flange hex bolt	6
F	512301	3/8-16x 1.5" serrated flange hex bolt	8
G	512247	3/8-16 x 4" carriage bolts	4
H	512302	3/8-16 Top lock hex flange nuts	12

Tool List

Floor Jack	1
Jack stands	2
Wheel blocks	4
9/16" wrench	2

NOTE HOLES IN FRAME

1. UPPER TO BE DRILLED 7/16"
2. 2005-2008: LOWER ARE EXISTING
3. 2008-PRESENT: DRILL ALL

Diagram A

Installation Instructions*

- 1) Park vehicle on level hard surface. Engage emergency brake. Place blocks in front and behind front wheels to prevent rolling. Observe all safety precautions and wear safety glasses.
- 2) Raise rear of vehicle allowing the axle to hang freely. Support the frame using safety jack stands.
- 3) Attach Upper Frame bracket (Item A) to the top of the SumoSpring (Item B) using two 3/8-16x3/4" serrated flange hex bolts (Item E). Attach the Lower bracket (Item C) to the bottom of the SumoSpring using one 3/8-16x3/4" serrated flange hex bolt (Item E) as in Diagram A above.
- 4) Insert two 3/8-16 x 4" carriage bolts (Item G) into the two square openings in the lower bracket (Item C) in such a way that they straddle the factory spring-pack. Position the lower bracket so that the shorter end down-stand fingers capture the factory u-bolt (see Diagram C below).
- 5) Secure the lower bracket (Item C) to the factory spring-pack using the u-bracket strap (Item D) the two carriage bolts (Item G) two 5/16" washers (Item H) and two 3/8-16 Top-lock nuts (Item I).

NOTE: On passenger side, position u-bracket strap (item D) as shown in Diagram B below to clear brake caliper bolt.



Diagram B



Diagram C

- 6) Repeat steps three through five on the opposite side of the vehicle.
- 7) Jack up axle until Upper Frame Bracket (Item A) is in correct position on frame with the two bottom holes aligned with the existing 5/8" holes in the frame as shown in Diagram D below. Mark and drill two upper holes using a 7/16" drill bit (ensure clearance on all cables/service lines inside the frame prior to drilling). If the two existing holes mentioned above are not in the frame then they will also need to be drilled. Drill these two holes exactly mid height on the frame (this occurs on vehicles post 2008) as seen in Diagram D below.

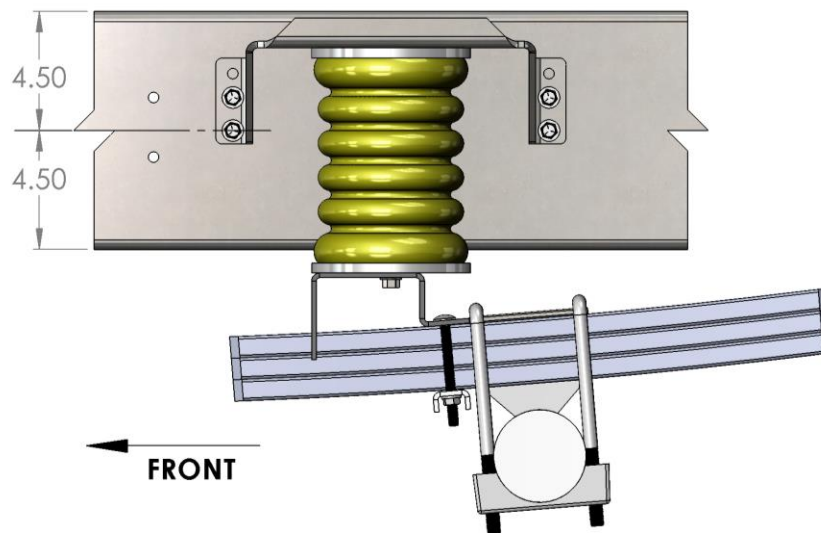


Diagram D

- 8) Repeat step seven on opposite side.
- 9) Carefully lower vehicle to the hard surface. Remove the blocks in front and back of the rear wheels.
- 10) Release emergency brake.
- 11) Fill out warranty card and send to SuperSprings. The warranty card is on the reverse side of this page.

***Contact factory if installation brackets create conflict with coach plumbing/electrical hardware.**

Important Notice.

- 1) For easy installation please read instructions completely first and have all necessary tools available.
- 2) We recommend that this installation be done by a professional or persons with sound mechanical knowledge.
- 3) SumoSprings are designed to work with the original factory springs only. If they have been replaced with aftermarket springs then please consult with SuperSprings International at 866-898-0720.
- 4) These instructions are meant as a guide for the installation of SumoSprings. SuperSprings International assumes no liability for the actual installation process. Installers should apply common automotive safety practices when raising, lowering and working on vehicles.
- 5) SumoSprings are designed to enhance the vehicles load carrying performance and road handling however it does not authorize (or recommend) loading beyond the manufacturer's GVWR specifications.
- 6) For technical support contact SuperSprings International at 866-898-0720.

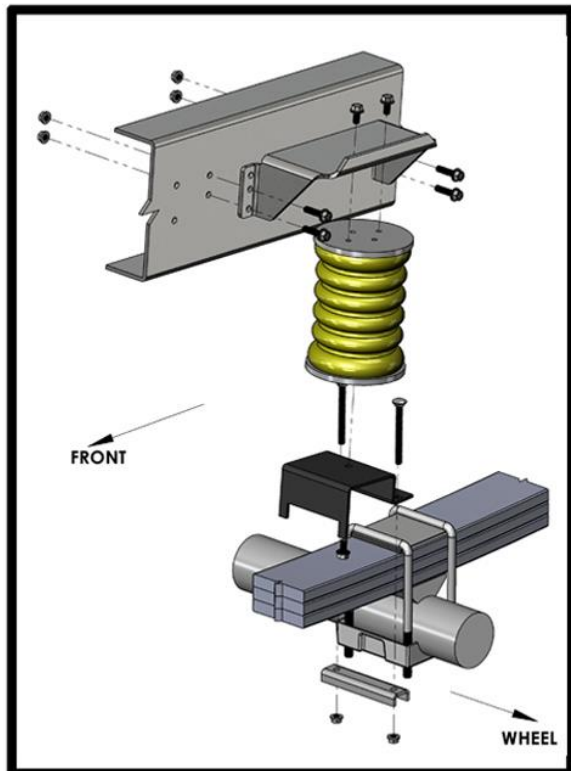
To prevent damage to the vehicle and to ensure safety, do not exceed the maximum load recommended by the vehicles manufacturer (GVWR).

SumoSprings Rear

Suspension Enhancement
Ford F-53 Chassis Motor Home 20K~22K [2005 ~ present]
SumoSprings Part# SSR-180-54-1



Driver Side



Installation

SSR-180-54-1

Installed

Refer to SumoSprings application guide for part selection www.supersprings.com [Tech line #866-898-0720]
SumoSprings enhance load carrying capability, handling & towing. Never exceed vehicle manufacturer's GVWR rating.