

**PRIMARY APPLICATION**

**CHEVROLET**

Colorado Diesel 2WD (2016-2019)  
Colorado Diesel 4WD (2016-2019)

**GMC**

Canyon Diesel 2WD (2016-2019)  
Canyon Diesel 4WD (2016-2019)

**TOOLS REQUIRED**

- 1 Floor Jack
- 2 Jack Stands
- 1 Ratchet w/13mm socket
- 4 Wheel Blocks

**PARTS LIST**

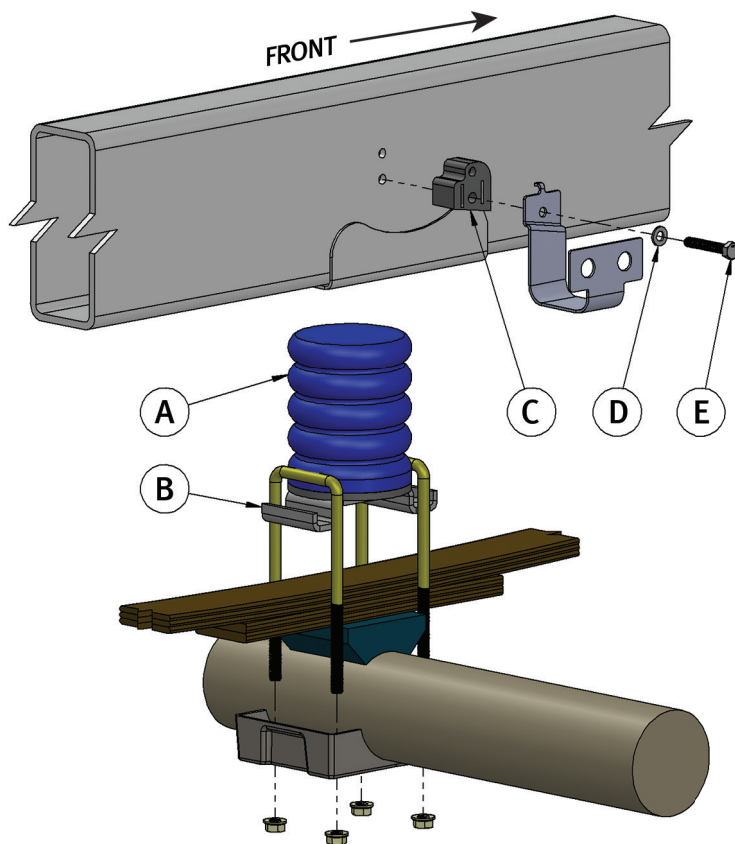
Item	QTY	Part#	Description
A	2	511440	SumoSprings -40 Blue
B	2	512094	Mounting Bracket
C	1	512153	Brake Line Spacer
D	1	512215	M8 Flat Washer
E	1	512333	M8 x 50mm Bolt
F	1	512239	Loctite sachet*

\*Not in diagram

**APPROXIMATE INSTALL TIME**

🕒 2 Hours

**DRIVER'S SIDE**



**SuperSprings International, Inc.**

505 Maple Avenue  
Carpinteria, CA 93013

**Technical Support**

+1 (805) 745-5553  
tech@supersprings.com

supersprings.com



**Never exceed the manufacturer's Gross Vehicle Weight Rating (GVWR) located on your vehicle's identification tag.**

**SAFETY NOTICE:** We recommend installation be done by a professional or persons with sound mechanical knowledge.

**WARNING:** These instructions are a general guide for installation. SuperSprings International, Inc. assumes no liability for the actual installation process. Consumers and installers should apply common automotive safety practices when raising and working on any vehicle. **Do not put yourself in a position where, if the vehicle were to move**

**unexpectedly, you may be injured.** SuperSprings' products are designed to improve vehicle ride quality. Do not load any vehicle beyond the manufacturer's specifications.

**BEFORE INSTALLATION:** Ensure the vehicle is on a level surface, the parking brake is ON, with the ignition OFF, and place blocks in front of and behind the front tires to prevent the vehicle from moving.

**DURING AND/OR AFTER INSTALLATION:** Ensure emergency brake cables are not touching the SuperSprings. Secure any cables out of the way with zip ties or by re-routing. **Ensure all A/C lines, brake cables and frame are clear of contact or interference.**

1. Park vehicle on level hard surface. Engage emergency brake. Place blocks in front and behind front wheels to prevent rolling. Observe all safety precautions and wear safety glasses.
2. Starting on the driver's side, locate the brake line bracket on the inside of the frame above the axle. [photo 1]
3. Remove the bolt holding the bracket to the frame. [photo 2]
4. Add the included spacer ensuring the locating pin is located in the hole in the frame and the tab of the bracket locates in the spacer. [photo 3]
5. Add a drop of blue loctite to the threads of the M8x50mm bolt and install it through the bracket and spacer and thread into the frame. Torque to 15 ft. lbs. [photo 4]
6. With the vehicle still on the ground (**ONE SIDE AT A TIME**), loosen axle U-bolts to allow removal of the factory bump-stop. [photos 5 & 6]
7. Apply Loctite to threads of the stud on mounting bracket and install the SumoSprings by turning it tightly on to the stud.
8. Raise the rear of the vehicle to provide sufficient room to install the SumoSprings and support with jack stands.
9. Install the SumoSprings mounting bracket under the U-bolts. [photo 7]
10. Tighten the U-bolt nuts until snug.
11. Remove jack stands and lower the truck.
12. Re-tighten the U-bolts using factory specifications and procedure.
13. Repeat procedure on the other side.



**SuperSprings International, Inc.**

505 Maple Avenue  
Carpinteria, CA 93013

**Technical Support**

+1 (805) 745-5553  
tech@supersprings.com

[supersprings.com](http://supersprings.com)



**Never exceed the manufacturer's Gross Vehicle Weight Rating (GVWR) located on your vehicle's identification tag.**

**SAFETY NOTICE:** We recommend installation be done by a professional or persons with sound mechanical knowledge.

**WARNING:** These instructions are a general guide for installation. SuperSprings International, Inc. assumes no liability for the actual installation process. Consumers and installers should apply common automotive safety practices when raising and working on any vehicle. **Do not put yourself in a position where, if the vehicle were to move**

**unexpectedly, you may be injured.** SuperSprings' products are designed to improve vehicle ride quality. Do not load any vehicle beyond the manufacturer's specifications.

**BEFORE INSTALLATION:** Ensure the vehicle is on a level surface, the parking brake is ON, with the ignition OFF, and place blocks in front of and behind the front tires to prevent the vehicle from moving.

**DURING AND/OR AFTER INSTALLATION:** Ensure emergency brake cables are not touching the SuperSprings. Secure any cables out of the way with zip ties or by re-routing. **Ensure all A/C lines, brake cables and frame are clear of contact or interference.**

**PRODUCT PHOTOS**



**SuperSprings International, Inc.**

505 Maple Avenue  
Carpinteria, CA 93013

**Technical Support**

+1 (805) 745-5553  
tech@supersprings.com

supersprings.com

**⚠ Never exceed the manufacturer's Gross Vehicle Weight Rating (GVWR) located on your vehicle's identification tag.**

**SAFETY NOTICE:** We recommend installation be done by a professional or persons with sound mechanical knowledge.

**WARNING:** These instructions are a general guide for installation. SuperSprings International, Inc. assumes no liability for the actual installation process. Consumers and installers should apply common automotive safety practices when raising and working on any vehicle. **Do not put yourself in a position where, if the vehicle were to move**

**unexpectedly, you may be injured.** SuperSprings' products are designed to improve vehicle ride quality. Do not load any vehicle beyond the manufacturer's specifications.

**BEFORE INSTALLATION:** Ensure the vehicle is on a level surface, the parking brake is ON, with the ignition OFF, and place blocks in front of and behind the front tires to prevent the vehicle from moving.

**DURING AND/OR AFTER INSTALLATION:** Ensure emergency brake cables are not touching the SuperSprings. Secure any cables out of the way with zip ties or by re-routing. **Ensure all A/C lines, brake cables and frame are clear of contact or interference.**