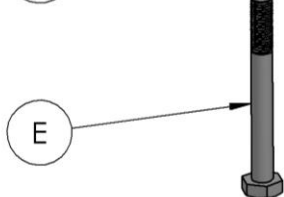
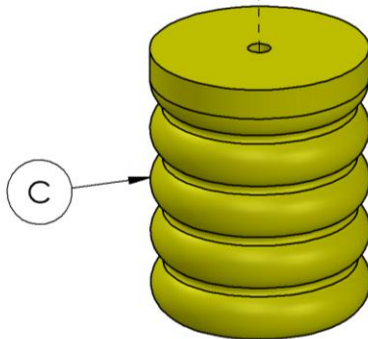
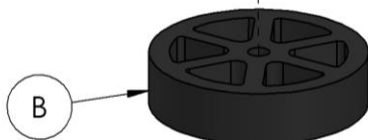
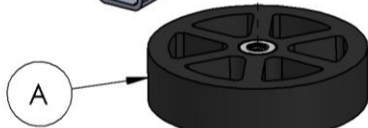
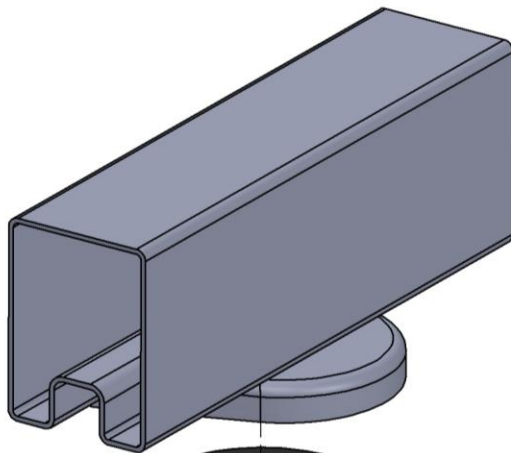


Sumo Springs Rear

Dodge Ram Promaster 1500|2500|3500 (2014-Present)

Part #SSR-313-40|47|54



SINGLE SPACER INSTALLED
WITH 60MM BOLT



BOTH SPACERS INSTALLED
WITH 90MM BOLT

ITEM #	PART #	DESCRIPTION	QNTY
A	512135	4"X1" SPACER WITH M10-1.25 NUT	2
B	512117	4"X1" SPACER	2
C	511456 511457 511458	4"X5" SUMO BLUE 4"X5" SUMO BLACK 4"X5" SUMO YELLOW	2
D	512227	3/8 FLAT WASHER	2
E	512315 512326	M10-1.25x60mm BOLT M10-1.25x90mm BOLT	2

Installation Instructions

- 1) Park vehicle on level hard surface. Place wheel blocks in front and behind the front wheels to prevent rolling. Observe all safety precautions and wear safety glasses
- 2) Raise the rear of the vehicle allowing the axle to hang free and rest the frame on the safety jack stands rated for the weight of the vehicle. Removal of the rear wheels is optional.
- 3) Starting on the driver's side un-bolt and remove the factory jounce bumper from the underside of the frame by rotating the mount counter-clockwise. A large pair of channel locks, spanner wrench, or oil filter type wrench may be required.
- 4) Assemble the SumoSpring and spacers as pictured in the diagram before installing on the vehicle. Two spacers are included per side however, only one may be needed. Use both spacers with the longer bolt for more immediate engagement or one spacer with the shorter bolt for less engagement.
- 5) If using both spacers ensure the top spacer is Item A and the pressed-in nut is facing up. If using one spacer, only use Item A with the nut facing up as well. Place the bolt through the washer and SumoSpring and spacer/s and thread it through the nut in Item A (DO NOT apply lock tite here). Use a 17mm socket on an extension to tighten the assembly.
- 6) Apply a drop of lock tite to the threads of the bolt and attach the assembly to the underside of the frame, utilizing the same hole in the underside of the frame from which the factory bump-stop was removed. Tighten as much as possible by hand only.
- 7) Repeat steps three through six on the passenger's side of the vehicle.
- 8) Jack up vehicle, remove safety jack stands and lower vehicle.
- 9) Remove wheel blocks from the front wheels.
- 10) Fill out warranty card and send to SuperSprings. The warranty card is an attached document.

Important Notice.

- 1) For easy installation please read instructions completely first and have all necessary tools available.
- 2) We recommend that this installation be done by a professional or persons with sound mechanical knowledge.
- 3) SumoSprings are designed to work with the original factory springs only. If they have been replaced with aftermarket springs then please consult with Supersprings International at 866-898-0720.
- 4) These instructions are meant as a guide for the installation of SumoSprings. SuperSprings International assumes no liability for the actual installation process. Installers should apply common automotive safety practices when raising, lowering and working on vehicles.
- 5) SumoSprings are designed to enhance the vehicles load carrying performance and road handling however it does not authorize (or recommend) loading beyond the manufacturer's GVWR specifications.
- 6) For technical support contact SuperSprings International at 866-898-0720.

To prevent damage to the vehicle and to ensure safety, do not exceed the maximum load recommended by the vehicles manufacturer (GVWR).