

PRIMARY APPLICATION

RAM
2500 2WD (2014-2019)

TOOLS REQUIRED

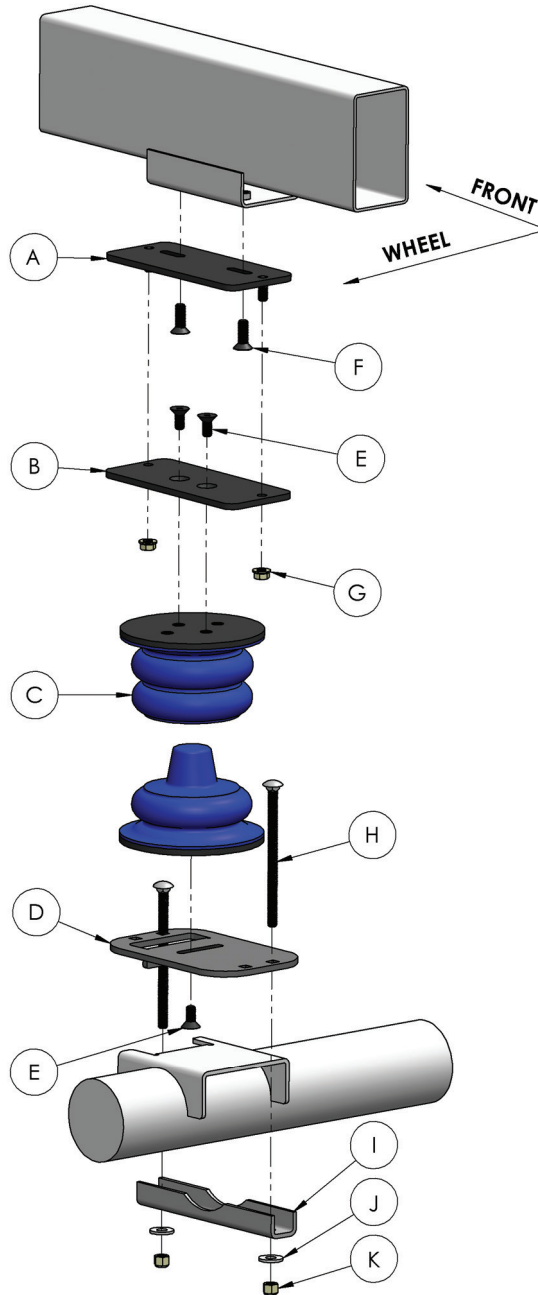
- 1 Floor Jack
- 2 Jack Stands
- 4 Wheel Blocks
- 1 Ratchet
- 1 9/16" socket
- 1 9/16" wrench
- 1 7/32" Allen key
- 1 6mm Allen key

PARTS LIST

Item	QTY	Part#	Description
A	2	512141	Upper Bracket A
B	2	512142	Upper Bracket B
C	2	511419	SumoSprings -40 (blue)
D	2	512154	Lower Bracket
E	6	512245	3/8"-16 x 7/8" Flat-Head Cap Screw
F	4	512320	M10-1.5 x 30mm Flat-Head Cap Screw
G	4	512302	3/8"-16 Locking Flange Nut
H	4	512258	3/8"-16 x 7-1/2" Carriage Bolt
I	2	512054	Lower Axle Clamp
J	4	512227	3/8" Flat Washer
K	4	512323	3/8"-16 Nyloc Nut
L	1	512239	Loctite sachet (not in diagram)

APPROXIMATE INSTALL TIME

2 Hours



SuperSprings International, Inc.

505 Maple Avenue
Carpinteria, CA 93013

Technical Support

+1 (805) 745-5553
tech@supersprings.com

supersprings.com



Never exceed the manufacturer's Gross Vehicle Weight Rating (GVWR) located on your vehicle's identification tag.

SAFETY NOTICE: We recommend installation be done by a professional or persons with sound mechanical knowledge.

WARNING: These instructions are a general guide for installation. SuperSprings International, Inc. assumes no liability for the actual installation process. Consumers and installers should apply common automotive safety practices when raising and working on any vehicle. **Do not put yourself in a position where, if the vehicle were to move**

unexpectedly, you may be injured. SuperSprings' products are designed to improve vehicle ride quality. Do not load any vehicle beyond the manufacturer's specifications.

BEFORE INSTALLATION: Ensure the vehicle is on a level surface, the parking brake is ON, with the ignition OFF, and place blocks in front of and behind the front tires to prevent the vehicle from moving.

DURING AND/OR AFTER INSTALLATION: Ensure emergency brake cables are not touching the SuperSprings. Secure any cables out of the way with zip ties or by re-routing. **Ensure all A/C lines, brake cables and frame are clear of contact or interference.**

1. Park vehicle on level hard surface. Place wheel blocks in front and behind the front wheels to prevent rolling. Observe all safety precautions and wear safety glasses.
2. Raise the rear of the vehicle allowing the axle to hang free and rest the frame on the safety jack stands rated for the weight of the vehicle. Removal of the rear wheels is optional.
3. Starting on the driver's side unbolt and remove the factory jounce bumper from the underside of the frame.
4. Attach **Upper Bracket A (ITEM A)** to the original bump stop location using two of the **M10-1.5 x 30mm Flat-Head Cap Screw (ITEM F)**. Leave the screws slightly loose so that the bracket can be adjusted front to back.
5. Using the two **3/8"-16 x 7/8" Flat-Head Cap Screw (ITEM E)**, attach the **Upper Bracket B (ITEM B)** to the top half of the **SumoSprings -40 [blue] (ITEM C)**. Place a drop of the **blue loctite (ITEM L)** on the threads of each bolt and torque to 30 ft. lbs.
6. Attach the SumoSprings with Upper Bracket B to Upper Bracket A using two **3/8"-16 Locking Flange Nut (ITEM G)**. Leave these nuts loose for now.
7. Attach **Lower Bracket (ITEM D)** to bottom half of **SumoSprings -40 [blue] (ITEM C)** using one **3/8"-16 x 7/8" Flat-Head Cap Screw (ITEM E)** as seen in the diagram on page 1. Leave bolt slightly loose so that SumoSprings position can be adjusted.
8. Place the Lower Bracket and bottom half of SumoSprings on top of the bump stop contact pad on the axle. Locate the bent tab on the bracket in the gap on the front side of the bump stop contact pad.
9. Once upper and lower components are in place, raise the axle with the jack so the weight of the truck is again on the suspension.
10. Adjust upper components front to rear and lower components left to right so that the top and bottom halves of the SumoSprings are aligned.
11. Mark the location of upper bracket A to the frame and the location of the lower half of the Sumo to lower bracket D with a pencil and then lower the axle so the frame is supported by the jack stands and the axle is once again hanging freely.
12. Remove Upper Bracket B and SumoSprings assembly from Upper Bracket A. Keep Upper Bracket A aligned with marked location on frame and add a drop of Loctite to each of the **M10-1.5 x 30mm Flat-Head Cap Screws (ITEM F)**. Tighten them to 30 ft. lbs.
13. Reattach Upper Bracket B to Upper Bracket A using the two **3/8"-16 Locking Flange Nuts (ITEM G)** and torque to 20 ft. lbs.
14. Remove the lower components from the axle. Be sure to keep the SumoSprings aligned with the marks made on the bracket. Add a drop of Loctite to the threads of the **3/8"-16 x 7/8" Flat-Head Cap Screws (ITEM E)** and tighten to 30 ft. lbs.
15. Place lower bracket and SumoSprings assembly back on the axle bump stop pad and position as in step 8.



Never exceed the manufacturer's Gross Vehicle Weight Rating (GVWR) located on your vehicle's identification tag.

SAFETY NOTICE: We recommend installation be done by a professional or persons with sound mechanical knowledge.

WARNING: These instructions are a general guide for installation. SuperSprings International, Inc. assumes no liability for the actual installation process. Consumers and installers should apply common automotive safety practices when raising and working on any vehicle. **Do not put yourself in a position where, if the vehicle were to move**

unexpectedly, you may be injured. SuperSprings' products are designed to improve vehicle ride quality. Do not load any vehicle beyond the manufacturer's specifications.

BEFORE INSTALLATION: Ensure the vehicle is on a level surface, the parking brake is ON, with the ignition OFF, and place blocks in front of and behind the front tires to prevent the vehicle from moving.

DURING AND/OR AFTER INSTALLATION: Ensure emergency brake cables are not touching the SuperSprings. Secure any cables out of the way with zip ties or by re-routing. **Ensure all A/C lines, brake cables and frame are clear of contact or interference.**

- 16.** Install two **3/8"-16 x 7-1/2" Carriage Bolts (ITEM H)** downward through the square holes in the front and rear of the **Lower Bracket (ITEM D)**. Ensure that they are installed in the inboard holes [Furthest From The Wheel] as seen in the diagram.
- 17.** Slide the lower **Lower Axle Clamp (ITEM I)** up onto the **3/8"-16 x 7-1/2" Carriage Bolt (ITEM H)** with the "U" shape facing up against the bottom of the axle.
- 18.** Place one **3/8" Flat Washer (ITEM J)** onto each carriage bolt. Thread one **3/8"-16 Nyloc Nut (ITEM K)** onto each carriage bolt. Tighten both lock nuts evenly and securely. Do not over tighten or the **Lower Bracket (ITEM D)** will bend.
- 19.** Repeat steps 3-18 on passenger side of truck.
- 20.** If rear wheels were removed you can now reinstall the rear wheels and torque wheel nuts to manufacturers spec.
- 21.** Jack up the vehicle and remove the safety jack stands.
- 22.** Remove wheel blocks from the front wheels.
- 23.** Fill out warranty information at: supersprings.com/warranty/

SuperSprings International, Inc.

505 Maple Avenue
Carpinteria, CA 93013

Technical Support

+1 (805) 745-5553
tech@supersprings.com

supersprings.com



Never exceed the manufacturer's Gross Vehicle Weight Rating (GVWR) located on your vehicle's identification tag.

SAFETY NOTICE: We recommend installation be done by a professional or persons with sound mechanical knowledge.

WARNING: These instructions are a general guide for installation. SuperSprings International, Inc. assumes no liability for the actual installation process. Consumers and installers should apply common automotive safety practices when raising and working on any vehicle. **Do not put yourself in a position where, if the vehicle were to move**

unexpectedly, you may be injured. SuperSprings' products are designed to improve vehicle ride quality. Do not load any vehicle beyond the manufacturer's specifications.

BEFORE INSTALLATION: Ensure the vehicle is on a level surface, the parking brake is ON, with the ignition OFF, and place blocks in front of and behind the front tires to prevent the vehicle from moving.

DURING AND/OR AFTER INSTALLATION: Ensure emergency brake cables are not touching the SuperSprings. Secure any cables out of the way with zip ties or by re-routing. **Ensure all A/C lines, brake cables and frame are clear of contact or interference.**