

PART NUMBER

SSR-611-40



BEFORE YOU BEGIN

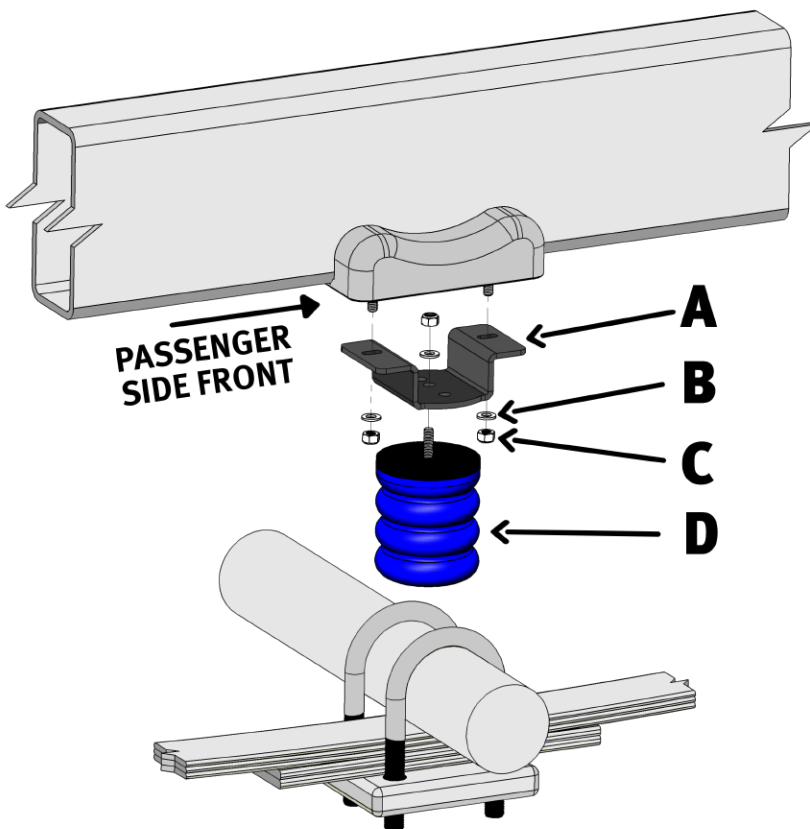
PRIMARY APPLICATION

- › Toyota Tacoma 2WD
(2005 - 2015 - 2nd Generation)

NOTE: For Prerunner models use SSR-610 part series.

TOOLS REQUIRED

- › Floor jack
- › Safety jack stands
- › Ratchet
- › 13mm wrench
- › 13mm socket



PARTS LIST

Item	Part #	Description	QTY
A	522026	Mounting Bracket	2
B	512215	M8 Flat Washer	6
C	512219	M8 Nylock Nut	6
D	511441	SumoSprings Blue -40	2

PASSENGER SIDE (DRIVER'S SIDE SIMILAR)

Part Number: SSR-611-40

Product Line: SUMOSPRINGS REAR

Page 1

SuperSprings International, Inc.

505 Maple Avenue
Carpenteria, CA 93013

Installation Support

+1 (800) 898-0705
support@supersprings.com

supersprings.com

SAFETY NOTICE: We recommend installation be done by a professional or persons with sound mechanical knowledge.

WARNING: These instructions are a general guide for installation. SuperSprings International, Inc. assumes no liability for the actual installation process. Consumers and installers should apply common automotive safety practices when raising and working on any vehicle. **Do not put yourself in a position where, if the vehicle were to move unexpectedly, you may be injured.** SuperSprings' products are designed to improve vehicle ride quality. Do not load any vehicle beyond the manufacturer's specifications.

Never exceed the manufacturer's Gross Vehicle Rating (GVWR) located on your vehicles identification tag.

BEFORE INSTALLATION: Ensure the vehicle is on a level surface, the parking brake is ON, with the ignition OFF, and place blocks in front of and behind the front tires to prevent the vehicle from moving.

DURING AND/OR AFTER INSTALLATION: Ensure emergency brake cables are not touching the SuperSprings. Secure any cables out of the way with zip ties or by re-routing. **Ensure all A/C lines, brake cables, and frame are clear of contact or interference.**

PART NUMBER

SSR-611-40



IMPORTANT NOTICE: Your part may have been loosley preassembled to show the final product as it will be once installed on your vehicle. Please disassemble the product before proceeding to the installation.

INSTALLATION

1. Park the vehicle on a hard, level surface and engage the emergency brake. Place blocks in front and behind the wheels to prevent rolling. Observe all safety precautions and wear safety glasses.
2. Raise the rear of the vehicle allowing the axle to hang freely and rest the frame on the safety jack stands rated for the weight of the vehicle. Removal of the rear wheels is optional.
3. Starting on the passenger side, unscrew the nuts and remove the factory bump stop from the underside of the frame.
4. Attach the Mounting Bracket [ITEM A] to the top of the SumoSpring [ITEM D] using the supplied M8 Nylock [ITEM C] nut and washer [ITEM B]. Use the center of the three holes and tighten securely.
5. Attach the assembly to the underside of the frame with the M8 Nylock nuts and washers provided. Use the studs from which the factory bump stop was removed and orient the bracket so that the SumoSpring is centered between the axle u-bolts.
6. Repeat steps 3 to 5 on the driver's side of the vehicle.
7. If the rear wheels were removed you can now reinstall them.
(Torque wheel nuts to manufacturers spec).
8. Raise the vehicle to allow room to remove the safety jack stands.
9. Carefully lower vehicle to the hard surface and remove the blocks from the wheels.
10. Register the warranty for your SuperSprings International part. A warranty card can be found in the box your part came in.

Part Number: SSR-611-40

Product Line: SUMOSPRINGS REAR

Page 2

SuperSprings International, Inc.

505 Maple Avenue
Carpenteria, CA 93013

Installation Support

+1 (800) 898-0705
support@supersprings.com

supersprings.com

SAFETY NOTICE: We recommend installation be done by a professional or persons with sound mechanical knowledge.

WARNING: These instructions are a general guide for installation. SuperSprings International, Inc. assumes no liability for the actual installation process. Consumers and installers should apply common automotive safety practices when raising and working on any vehicle. **Do not put yourself in a position where, if the vehicle were to move unexpectedly, you may be injured.** SuperSprings' products are designed to improve vehicle ride quality. Do not load any vehicle beyond the manufacturer's specifications.

Never exceed the manufacturer's Gross Vehicle Rating (GVWR) located on your vehicles identification tag.

BEFORE INSTALLATION: Ensure the vehicle is on a level surface, the parking brake is ON, with the ignition OFF, and place blocks in front of and behind the front tires to prevent the vehicle from moving.

DURING AND/OR AFTER INSTALLATION: Ensure emergency brake cables are not touch-ing the SuperSprings. Secure any cables out of the way with zip ties or by re-routing. **Ensure all A/C lines, brake cables, and frame are clear of contact or interference.**

PART NUMBER

SSR-611-40



SUMOSPRINGS SSR-611-40 VS. TOYOTA FACTORY BUMP STOP



SSR-611-40 WHEN INSTALLED



Part Number: SSR-611-40

Product Line: SUMOSPRINGS REAR

Page 3

SuperSprings International, Inc.

505 Maple Avenue
Carpenteria, CA 93013

Installation Support

+1 (800) 898-0705
support@supersprings.com

supersprings.com

SAFETY NOTICE: We recommend installation be done by a professional or persons with sound mechanical knowledge.

WARNING: These instructions are a general guide for installation. SuperSprings International, Inc. assumes no liability for the actual installation process. Consumers and installers should apply common automotive safety practices when raising and working on any vehicle. **Do not put yourself in a position where, if the vehicle were to move unexpectedly, you may be injured.** SuperSprings' products are designed to improve vehicle ride quality. Do not load any vehicle beyond the manufacturer's specifications.

Never exceed the manufacturer's Gross Vehicle Rating (GVWR) located on your vehicles identification tag.

BEFORE INSTALLATION: Ensure the vehicle is on a level surface, the parking brake is ON, with the ignition OFF, and place blocks in front of and behind the front tires to prevent the vehicle from moving.

DURING AND/OR AFTER INSTALLATION: Ensure emergency brake cables are not touching the SuperSprings. Secure any cables out of the way with zip ties or by re-routing. **Ensure all A/C lines, brake cables, and frame are clear of contact or interference.**