

PART NUMBER

## TSS-107-40 & -47

**NOTE:** To watch the video of this installation, please visit our YouTube page: [www.youtube.com/supersprings](http://www.youtube.com/supersprings)  
Video URL: <https://youtu.be/pN9hTMLGAHM>

### BEFORE YOU BEGIN

### APPLICATION

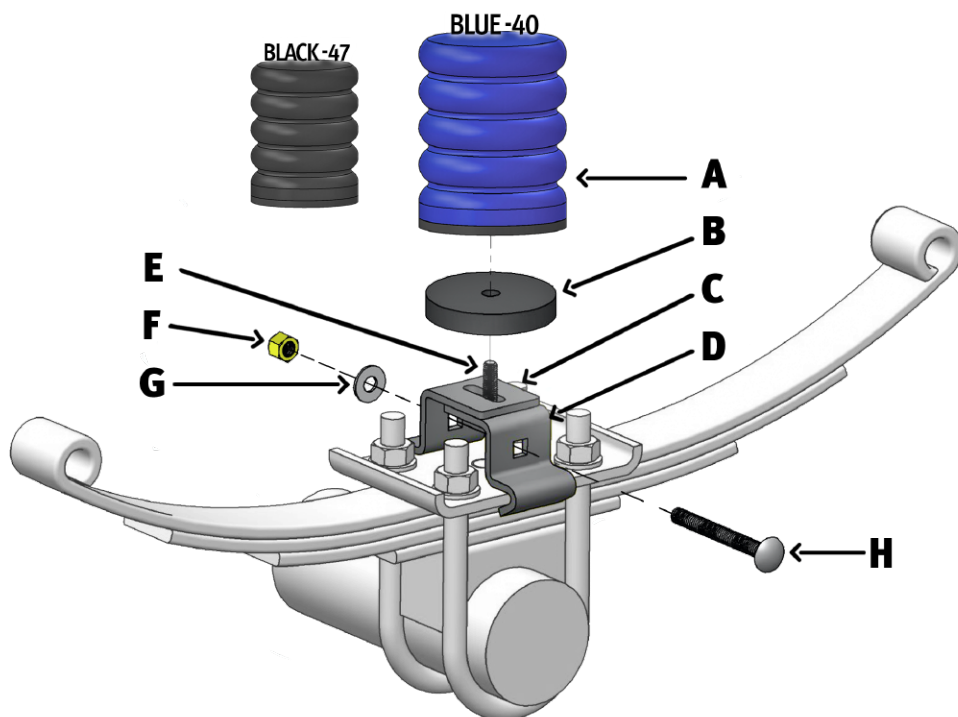
This part will work on any trailer using a spring-over-axle leaf suspension.

### TOOLS REQUIRED

- › Floor jack
- › Safety jack stands
- › Ratchet and sockets
- › Torque wrench

### PARTS LIST

Item	Part #	Description	QTY
A	511453	SumoSprings Blue -40	2
	511454	SumoSprings Black -47	2
B	512116	3" x 1/2" spacer	4
C	512151	Top bracket	2
D	512152	Bottom bracket	2
E	512362	M8x25mm carriage bolt	2
	512363	M8x35mm carriage bolt	2
	512364	M8x45mm carriage bolt	2
F	512323	3/8" Nyloc nut	2
G	512244	Flat washer	2
H	512211	3/8 x 3-1/2" carriage bolt	2



### PASSENGER SIDE IDENTICAL INSTALLATION

Part Number: TSS-107-40 & -47

► Product Line: SUMOSPRINGS REAR

Page 1

**SuperSprings International, Inc.**

505 Maple Avenue  
Carpenteria, CA 93013

**Installation Support**

+1 (800) 898-0705  
support@supersprings.com

[supersprings.com](http://supersprings.com)

**SAFETY NOTICE:** We recommend installation be done by a professional or persons with sound mechanical knowledge.

**WARNING:** These instructions are a general guide for installation. SuperSprings International, Inc. assumes no liability for the actual installation process. Consumers and installers should apply common automotive safety practices when raising and working on any vehicle. **Do not put yourself in a position where, if the vehicle were to move unexpectedly, you may be injured.** SuperSprings' products are designed to improve vehicle ride quality. Do not load any vehicle beyond the manufacturer's specifications.

**Never exceed the manufacturer's Gross Vehicle Rating (GVWR) located on your vehicles identification tag.**

**BEFORE INSTALLATION:** Ensure the vehicle is on a level surface, the parking brake is ON, with the ignition OFF, and place blocks in front of and behind the front tires to prevent the vehicle from moving.

**DURING AND/OR AFTER INSTALLATION:** Ensure emergency brake cables are not touching the SuperSprings. Secure any cables out of the way with zip ties or by re-routing. **Ensure all A/C lines, brake cables, and frame are clear of contact or interference.**

PART NUMBER

**TSS-107-40 & -47**

**IMPORTANT NOTICE:** Your part may have been loosley preassembled to show the final product as it will be once installed on your vehicle. Please disassemble the product before proceeding to the installation.

**INSTALLATION**

1. Position the trailer on a level surface so that the frame is parallel to the ground. Measure the current gap from the bottom of the frame to the top of the leaf spring plate. **DO NOT RAISE THE TRAILER FOR THIS STEP.**
2. Set up the mounting brackets [ITEMS C & D] together with a combination of the SumoSpring [ITEM A] and between 0-2 of the spacers [ITEM B] that will stack up to a height of 1/4"- 1/2" taller than the measurement from step 1. **This is very important as the Trailer SumoSprings provide the maximum level of vibration reduction and damping with this 1/4"- 1/2" preload.**
4. Using the correct length 8mm carriage bolt [ITEM E] attach the SumoSpring to the mounting brackets leaving them slightly loose at this stage. Be sure to add a drop of Loctite to the bolt threads.
5. Insert the 3/8" carriage bolt [ITEM H] in through the top bracket [ITEM C] and out of the bottom bracket [ITEM D]. Place a flat washer [ITEM G] onto the carriage bolt and then thread on the 3/8" lock nut [ITEM F]. Leave the lock nut loose at this stage.
6. Raise the trailer so that the axle is separated from the frame just enough to place the SumoSprings with the attached bracket assembly on top of the factory spring plate.
7. Position the brackets between the u-bolts and squeeze them together so that the hooks locate snugly around the leaf spring plate. Tighten the 3/8" locknut [ITEM F] until it is just touching.
8. Slide the SumoSpring [ITEM A] side to side until it is centered under the frame rail and then rotate the SumoSpring clockwise by hand until it is as tight as possible. Finish tightening the 3/8" locknut and torque to 120 in./lbs (10 ft./lbs).
9. Repeat steps 3 through 5 at each wheel.
10. Carefully lower the trailer to the ground and ensure all Trailer SumoSprings are engaged.
11. Register the warranty for your SuperSprings International part. A warranty card can be found in the box your part came in.

**Part Number: TSS-107-40 & -47**

**► Product Line: SUMOSPRINGS REAR**

**Page 2**

**SuperSprings International, Inc.**

505 Maple Avenue  
Carpenteria, CA 93013

**Installation Support**

+1 (800) 898-0705  
support@supersprings.com

**supersprings.com**

**SAFETY NOTICE:** We recommend installation be done by a professional or persons with sound mechanical knowledge.

**WARNING:** These instructions are a general guide for installation. SuperSprings International, Inc. assumes no liability for the actual installation process. Consumers and installers should apply common automotive safety practices when raising and working on any vehicle. **Do not put yourself in a position where, if the vehicle were to move unexpectedly, you may be injured.** SuperSprings' products are designed to improve vehicle ride quality. Do not load any vehicle beyond the manufacturer's specifications.

**Never exceed the manufacturer's Gross Vehicle Rating (GVWR) located on your vehicles identification tag.**

**BEFORE INSTALLATION:** Ensure the vehicle is on a level surface, the parking brake is ON, with the ignition OFF, and place blocks in front of and behind the front tires to prevent the vehicle from moving.

**DURING AND/OR AFTER INSTALLATION:** Ensure emergency brake cables are not touch-ing the SuperSprings. Secure any cables out of the way with zip ties or by re-routing. **Ensure all A/C lines, brake cables, and frame are clear of contact or interference.**

PART NUMBER

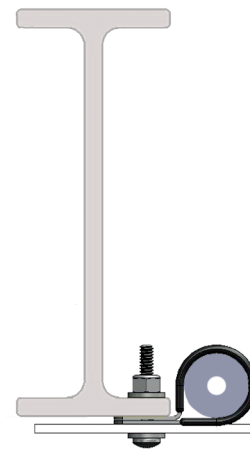
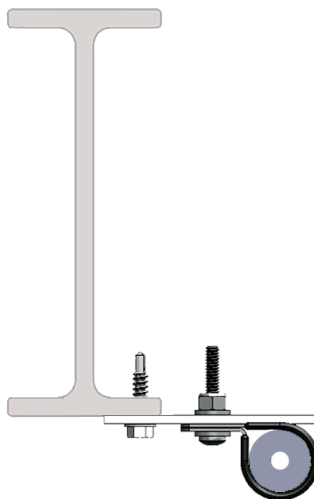
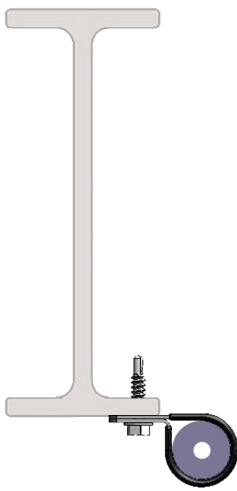
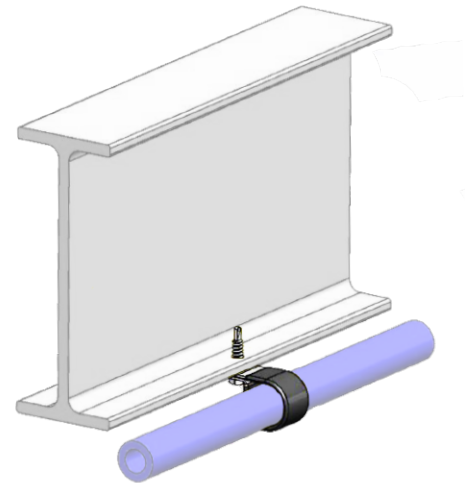
**TSS-107-40 & -47**

**GAS/UTILITY LINE RELOCATION**

On some travel trailers there may be a gas or utility line mounted to the lower portion of the frame that needs to be slightly relocated to avoid interference with the SumoSPrings installation.

The kit includes hardware to reposition the gas/utility line if needed. One set should be used on each side of each axle to guide the line away from the SumoSPrings.

Since there are multiple ways the lines are mounted to the frame, our kit is versatile so that there are multiple ways you can relocate the lines.



**EXAMPLES OF THE RELOCATION KIT INSTALLED**

**Part Number: TSS-107-40 & -47**

**► Product Line: SUMOSPRINGS REAR**

**Page 3**

**SuperSprings International, Inc.**

505 Maple Avenue  
Carpenteria, CA 93013

**Installation Support**

+1 (800) 898-0705  
support@supersprings.com

**supersprings.com**

**SAFETY NOTICE:** We recommend installation be done by a professional or persons with sound mechanical knowledge.

**WARNING:** These instructions are a general guide for installation. SuperSprings International, Inc. assumes no liability for the actual installation process. Consumers and installers should apply common automotive safety practices when raising and working on any vehicle. **Do not put yourself in a position where, if the vehicle were to move unexpectedly, you may be injured.** SuperSprings' products are designed to improve vehicle ride quality. Do not load any vehicle beyond the manufacturer's specifications.

**Never exceed the manufacturer's Gross Vehicle Rating (GVWR) located on your vehicles identification tag.**

**BEFORE INSTALLATION:** Ensure the vehicle is on a level surface, the parking brake is ON, with the ignition OFF, and place blocks in front of and behind the front tires to prevent the vehicle from moving.

**DURING AND/OR AFTER INSTALLATION:** Ensure emergency brake cables are not touching the SuperSprings. Secure any cables out of the way with zip ties or by re-routing. **Ensure all A/C lines, brake cables, and frame are clear of contact or interference.**

PART NUMBER

**TSS-107-40 & -47**

**TRAILER SUMOSPRINGS INSTALLED**



**EXAMPLE OF TRAILER SUMOSPRINGS INSTALLED VS FACTORY GAP**

**Part Number: TSS-107-40 & -47**

**► Product Line: SUMOSPRINGS REAR**

**Page 4**

**SuperSprings International, Inc.**

505 Maple Avenue  
Carpenteria, CA 93013

**Installation Support**

+1 (800) 898-0705  
support@supersprings.com

**supersprings.com**

**SAFETY NOTICE:** We recommend installation be done by a professional or persons with sound mechanical knowledge.

**WARNING:** These instructions are a general guide for installation. SuperSprings International, Inc. assumes no liability for the actual installation process. Consumers and installers should apply common automotive safety practices when raising and working on any vehicle. **Do not put yourself in a position where, if the vehicle were to move unexpectedly, you may be injured.** SuperSprings' products are designed to improve vehicle ride quality. Do not load any vehicle beyond the manufacturer's specifications.

**Never exceed the manufacturer's Gross Vehicle Rating (GVWR) located on your vehicles identification tag.**

**BEFORE INSTALLATION:** Ensure the vehicle is on a level surface, the parking brake is ON, with the ignition OFF, and place blocks in front of and behind the front tires to prevent the vehicle from moving.

**DURING AND/OR AFTER INSTALLATION:** Ensure emergency brake cables are not touching the SuperSprings. Secure any cables out of the way with zip ties or by re-routing. **Ensure all A/C lines, brake cables, and frame are clear of contact or interference.**