

# E4-WM5-Y648A00

## MOUNTING INSTRUCTION



**This instruction is for both left front (driver) 41-284865 and right front (passenger) 41-284872 B8 8112 shocks. A step by step process is shown with pictures of the right front. The left front is a mirror image. Skip to the end to see final result for both sides. A bill of materials (BOM) of the included mounting part kits is shown on the next three pages.**

### **IMPORTANT! READ THIS FIRST!**

Installation of shock absorbers requires special tools and expert knowledge. Accordingly, installation of all BILSTEIN products must be performed by a qualified suspension specialist.

When replacing other brands, BILSTEIN shock absorbers should always be installed as a set. All BILSTEIN products must only be used for the specific, intended application as indicated in the application guide. **Any use of any BILSTEIN product other than for its intended use may result in serious bodily injury or death.**

Always use a chassis hoist for the installation of BILSTEIN products and make certain that the raised vehicle is securely attached to the hoist and/or supported to prevent the vehicle from slipping, falling, or moving during the installation process.

**If you choose to install any BILSTEIN product without the necessary special tools, expertise or chassis hoist, you may subject yourself to the risk of serious bodily injury or death.** If you elect not to use a chassis hoist, at least make sure the vehicle is on level ground, that all tires on the ground during installation are blocked to prevent movement, that at least two tires are on the ground at all times, and that adequately secured safety stands (jack stands) are used to support the chassis. **NEVER** get under the vehicle until you have checked to make sure all of these steps are performed.

BILSTEIN suspension products are gas-filled and are highly pressurized.

- Never place any BILSTEIN product in a vise or use a clamp on any BILSTEIN product.
- Never apply heat near any BILSTEIN product.
- Never attempt to open or repair any BILSTEIN product, in order to prevent **serious bodily injury or death.**

Any attempt to misuse, misapply, modify, or tamper with any BILSTEIN suspension product voids any warranty and **may result in serious bodily injury or death.**

While installing any BILSTEIN product:

- Do not use impact tools for loosening or tightening fasteners, because this may destroy the screw threads.
- Self-locking fasteners must only be used **once!**
- Reuse original equipment components only if they are in good condition, otherwise replace them with new components.
- Never remove the slight film of oil on the piston rod and seal.
- All mounting fasteners for shocks and struts must be securely tightened before the vehicle is operated.

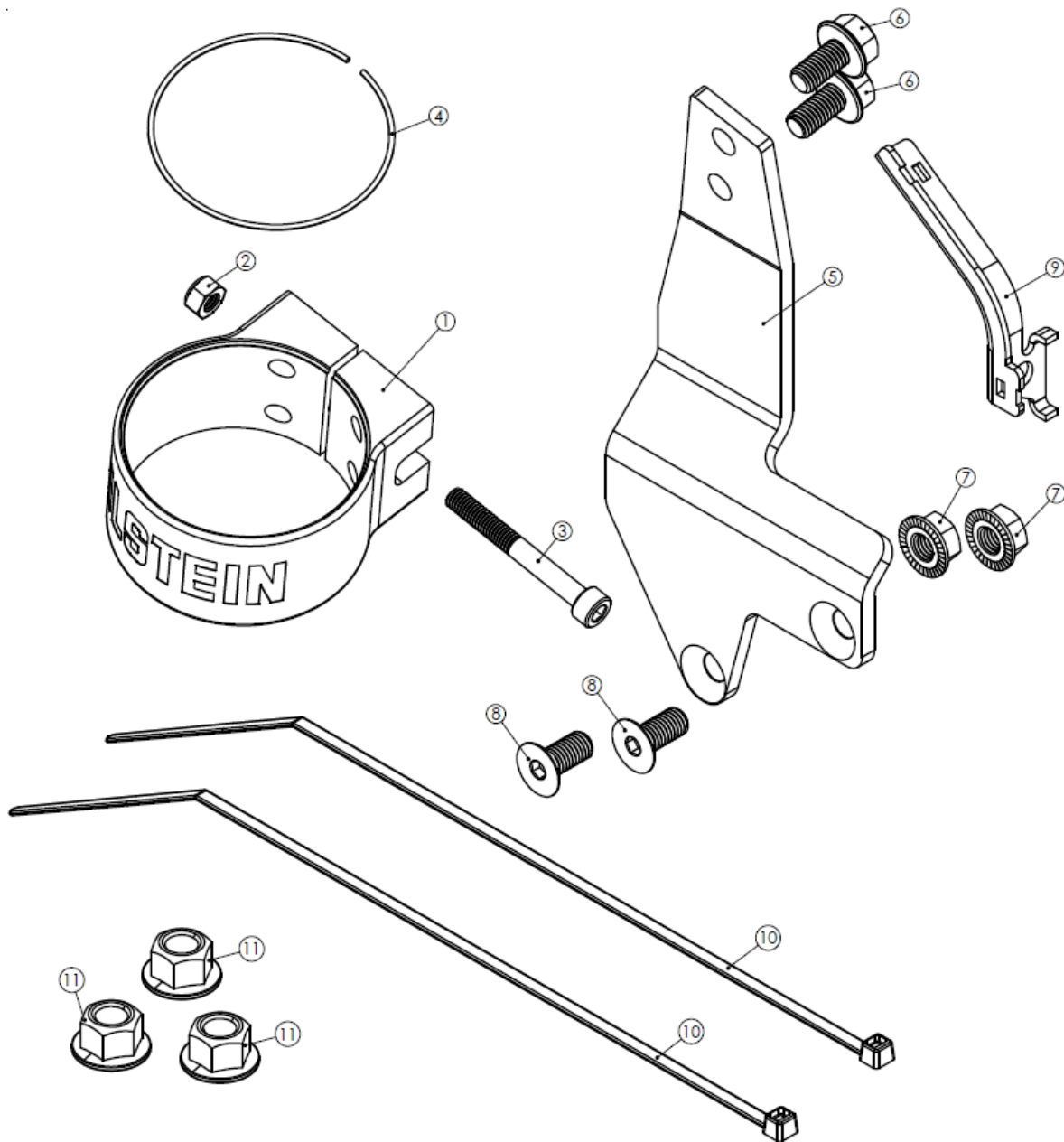
After installing any BILSTEIN product:

- The suspension caster and camber must be checked and/or adjusted to comply with the vehicle manufacturer's specifications.
- The (load dependent) brake compensator and the anti-lock brake system must be checked and/or reset to comply with the vehicle manufacturer's specifications.
- The headlight aim must be checked and adjusted.

B8 8112 shocks feature a proprietary BILSTEIN zinc plated finish. This finish must be serviced in order to maintain its luster. Particularly in moist climates, a protective coating, such as a wax or lubricating oil should be periodically applied to prevent tarnishing. This finish is not covered under warranty.

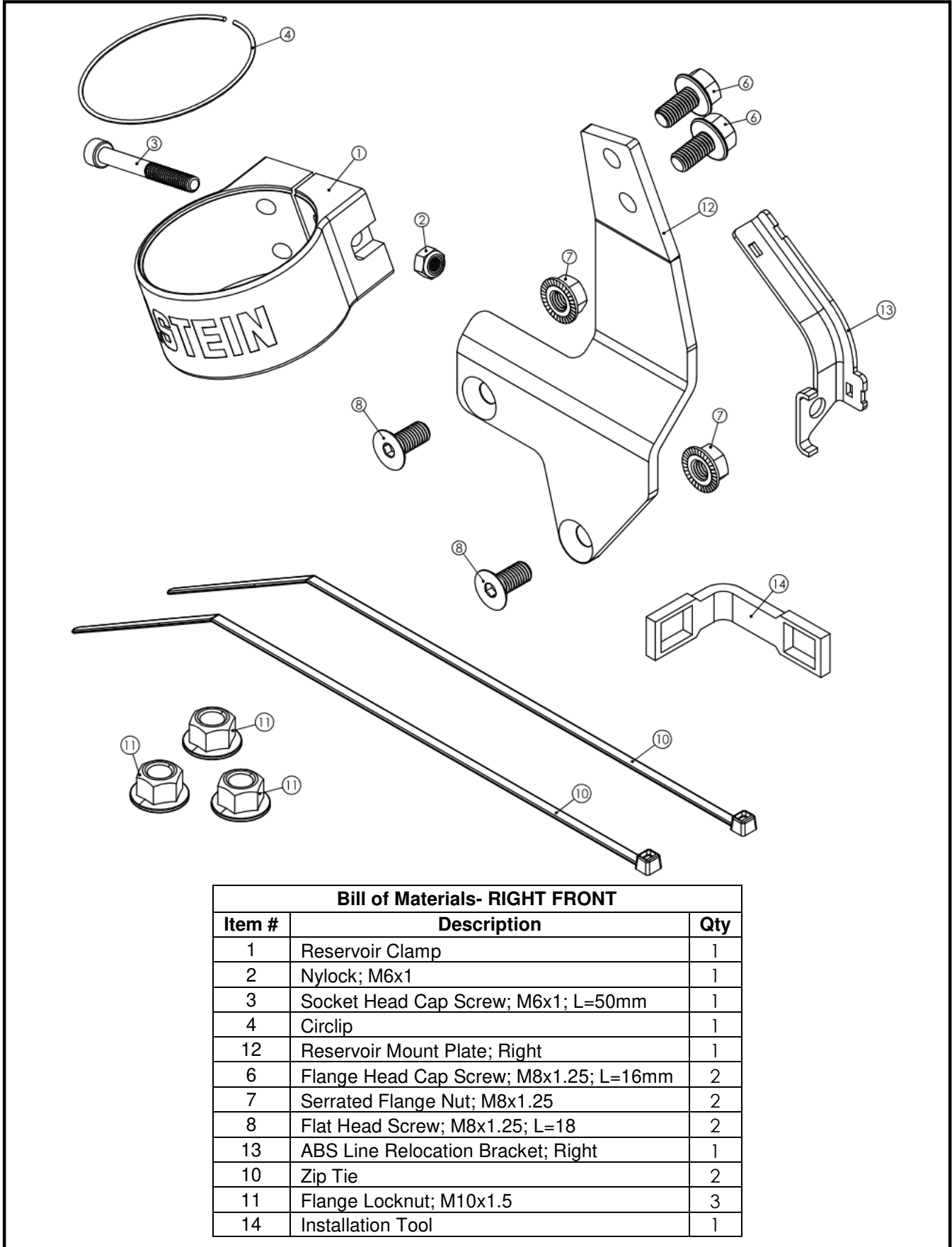
It is normal to hear a slight audible clicking noise during compression and rebound strokes in the B8 8112 shocks, most notably during low velocity events. This is due to the internal pistons engaging each other creating the position sensitive compression and rebound zones.

# E4-WM5-Y648A00 MOUNTING INSTRUCTION



Bill of Materials- LEFT FRONT		
Item #	Description	Qty
1	Reservoir Clamp	1
2	Nylock; M6x1	1
3	Socket Head Cap Screw; M6x1; L=50mm	1
4	Circlip	1
5	Reservoir Mount Plate; Left	1
6	Flange Head Cap Screw; M8x1.25; L=16mm	2
7	Serrated Flange Nut; M8x1.25	2
8	Flat Head Screw; M8x1.25; L=18	2
9	ABS Line Relocation Bracket; Left	1
10	Zip Tie	2
11	Flange Locknut; M10x1.5	3

# E4-WM5-Y648A00 MOUNTING INSTRUCTION



Bill of Materials- RIGHT FRONT		
Item #	Description	Qty
1	Reservoir Clamp	1
2	Nylock; M6x1	1
3	Socket Head Cap Screw; M6x1; L=50mm	1
4	Circlip	1
12	Reservoir Mount Plate; Right	1
6	Flange Head Cap Screw; M8x1.25; L=16mm	2
7	Serrated Flange Nut; M8x1.25	2
8	Flat Head Screw; M8x1.25; L=18	2
13	ABS Line Relocation Bracket; Right	1
10	Zip Tie	2
11	Flange Locknut; M10x1.5	3
14	Installation Tool	1

# E4-WM5-Y648A00 MOUNTING INSTRUCTION



Bill of Materials- LEFT FRONT		
Item #	Description	Qty
15	Sway Bar Spacer; Left	1
16	Flat Head Screw; M10x1.25; L=30	4
17	Flange Nut; M10x1.25	2
18	Spacer	3

Bill of Materials- RIGHT FRONT		
Item #	Description	Qty
19	Sway Bar Spacer; Right	1
16	Flat Head Screw; M10x1.25; L=30	4
17	Flange Nut; M10x1.25	2
18	Spacer	3

## **B8 8112 Shock Installation Procedure:**

- A. Disconnect the bolts holding the front skid plate to the vehicle (2 per side) with a 12mm socket and remove skid plate.
- B. Disconnect the sway bar bolts holding sway bar to frame (2 per side) with a 14mm socket and drop the sway bar as shown in the pictures below. Disconnect sway bar end links and remove sway bar from vehicle. Follow all procedures in the vehicle manufacturer's service manual.

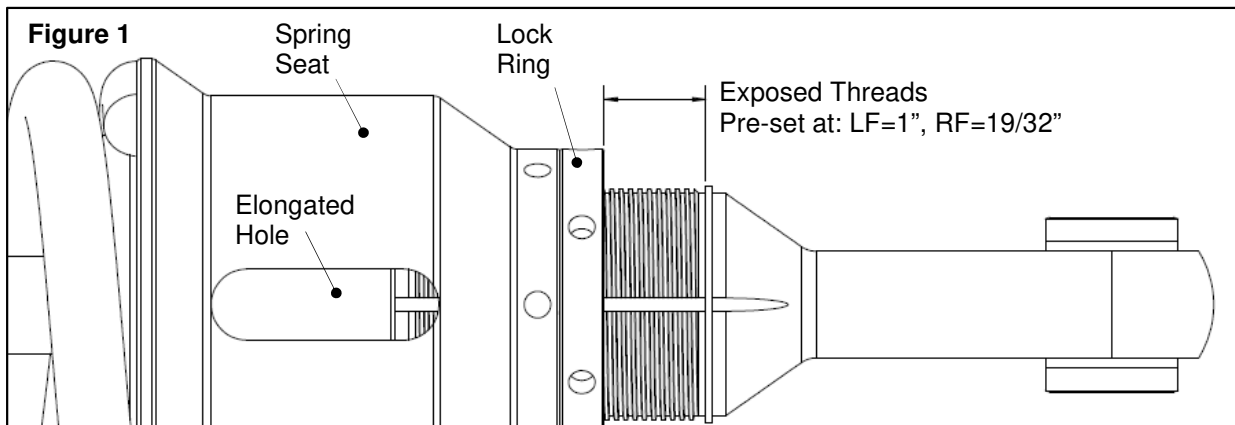


# E4-WM5-Y648A00

## MOUNTING INSTRUCTION



- C. Remove existing shock module from the vehicle following all procedures in the vehicle manufacturer's service manual. Save the lower shock bolt and nut as they will be used later.
- D. Disconnect the bolts holding radiator core support to frame (3 per side) with a 14mm socket and remove radiator core support. Refer to picture on page 13 in step AA **[NOTE: this is only required on 4Runner, not on FJ Cruiser models]**.
- E. Before installing the B8 8112 shocks on the vehicle check if they are set at the desired lift height. The pre-set lift height is 2.5" for 4Runner 4WD models and 3" for FJ Cruiser 4WD models.
- F. If the above mentioned pre-set lift height is not what is desired proceed to step G. Otherwise, skip to step N.
- G. Break the spring seat lock ring loose with the supplied spanner wrenches. Refer to Figure 1 below.
- H. Note the clocking of the lower mount relative to the studs on the upper mount (important for reassembly).
- I. Using an appropriate spring compressor, compress the spring until it can be rotated freely by hand. Then, spin the spring seat up or down depending on what the desired lift height is. Note that the right side (passenger) should always be approximately 3/8" lower than the left side (driver) to compensate for the inherent vehicle lean. See the lift height table below for a few points of reference between the amount of exposed thread and estimated lift height. **If the exposed thread dimension exceeds 1", chassis jounce bumper spacers are required (see steps GG-HH on page 14).**



**DO NOT EXCEED MAX LIFT HEIGHT LISTED FOR YOUR VEHICLE**

4Runner 4WD		
Exposed Threads		Heavy Load B8 8112 Typical Lift Heights**
Left Front	Right Front	2010+
1 9/32" (very top)	29/32"	3" lift
13/16"	13/32"	2.1" lift
13/32"	0" (very bottom)	1.5" lift

FJ Cruiser 4WD		
Exposed Threads		Heavy Load B8 8112 Typical Lift Heights**
Left Front	Right Front	2010+
1 1/16"	11/16"	3.1" lift
13/16"	13/32"	2.7" lift
13/32"	0" (very bottom)	2" lift

Lift heights shown include additional weight from aftermarket accessories listed below, and are measured with respect to a completely stock vehicle that has no extra weight added.

- aftermarket heavy duty steel front bumper and winch.
- aftermarket steel rear bumper.
- 400lbs of load centered over the rear axle.

# E4-WM5-Y648A00

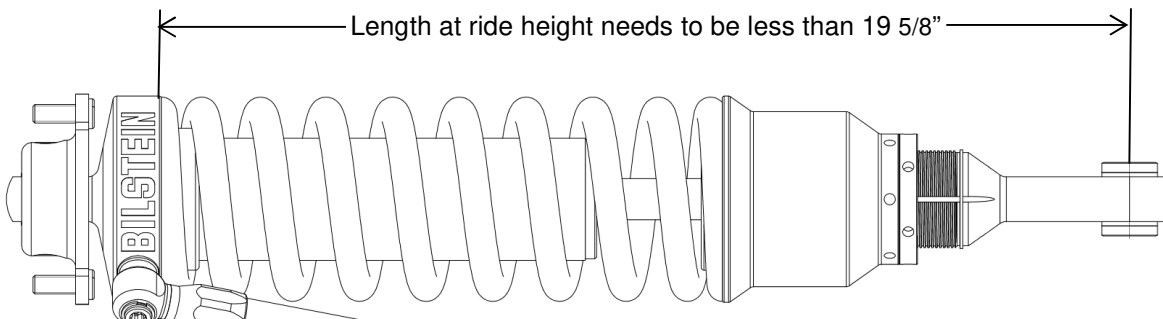
## MOUNTING INSTRUCTION



\*\* Lift heights indicated are typical. Actual lift height is influenced by which factory suspension the vehicle is equipped with and its condition; optional equipment and accessories on your vehicle, and other vehicle modifications such as replacement coil springs, wheel and tire combinations, etc.

Modifying/lifting the suspension to your vehicle may raise its center of gravity and may make it more susceptible to loss of control and/or rollover, which may result in death or serious injury. We strongly recommend that you offset the loss of rollover resistance as much as possible by increasing tire track width, and that you equip the vehicle with a functional roll bar and cage system. Wear seat belts and shoulder harnesses at all times, and avoid situations where a side rollover may occur.

NOTE: if you exceed the recommended spring seat adjustment range (exposed thread dimension) for your vehicle, make sure to measure the shock at ride height as shown below after the install. This is needed to ensure there is at least 2" of droop travel from static ride height and so the stiffer rebound zone is not being engaged at ride height.



Left Front (driver) depicted

- J. Before finalizing the desired lift height, position the elongated hole (see Figure 1) in the spring seat so it will face inboard once installed on the vehicle.
- K. Once the desired lift height is set, tighten lock ring against spring seat using supplied spanner wrenches.  
**Torque lock ring to spring seat 37 ft-lb (50 Nm).**
- L. Rotate the lower shock mount so it is aligned with the upper mount studs as noted in step H.
- M. Slowly release the spring compressor.

# E4-WM5-Y648A00 MOUNTING INSTRUCTION



N. Remove the splash guard clip and rectangular frame hole plug circled in red below. Tuck back splash guard.



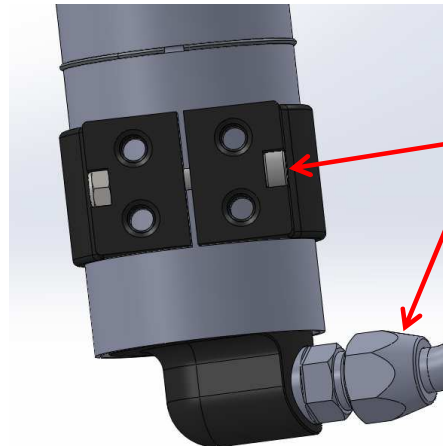
O. Slide the Reservoir Clamp (BOM item #1) over the reservoir as shown below.



# E4-WM5-Y648A00 MOUNTING INSTRUCTION

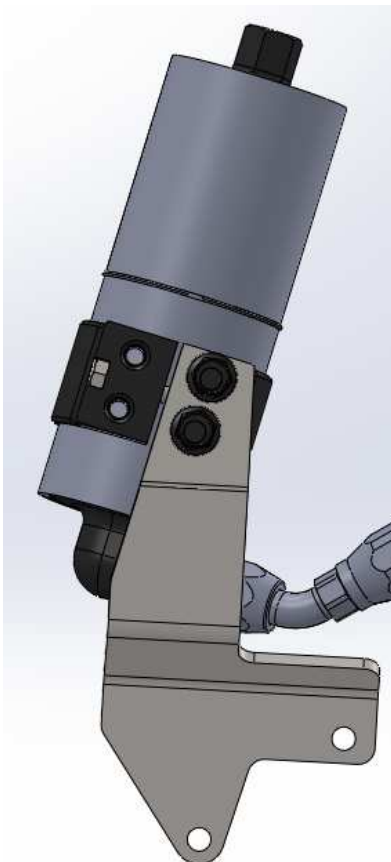


- P. Place the Nylock (BOM item #2) in the slot in the Reservoir Clamp as shown below. Then place the Socket Head Cap Screw (BOM item #3) through the hole in the Reservoir Clamp, threading it into the Nylock. Thread in a few turns for now with a 5mm hex but leave loose enough so the Reservoir Clamp can be slid up and down. Install the Circlip (BOM item #4) on the external groove located at the center of the Reservoir.

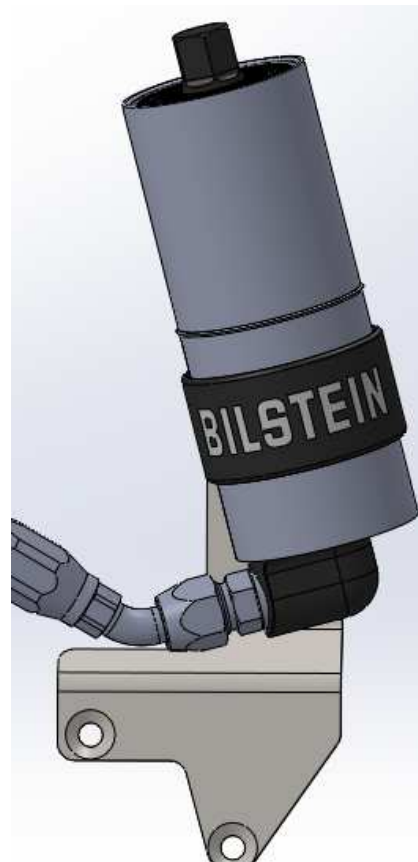


Install SHCS on the same side as the hose exit (this is only critical for right side)

- Q. Prepare the following assembly by applying non-permanent thread locker to two Flange Head Cap Screws (BOM item #6). Mount the Reservoir Clamp to the Reservoir Mount Plate (BOM item #12) as shown below using the two Flange Head Cap Screws. Tighten using a 13mm socket.  
**Torque Flange Head Cap Screws to 18 ft-lb (25 Nm).**



back side view



front side view



# E4-WM5-Y648A00 MOUNTING INSTRUCTION



- R. Install the shock onto the vehicle as shown below. Use the three Flange Locknuts (BOM item #11) and a 15mm socket to attach the upper mount. Leave reservoir hanging temporarily.  
**Torque Flange Locknuts to 33 ft-lb (45 Nm).**
- S. Attach the lower shock mount with the OE shock bolt and nut that was removed in step C.  
**Torque lower OE shock bolt and nut to service manual specification.**



Note: picture is of KDSS model, disregard sway bar.

# E4-WM5-Y648A00 MOUNTING INSTRUCTION



- T. Mount the reservoir assembly to the frame with the two holes shown below. Apply non-permanent thread locker to two Flat Head Screws (BOM item #8). Have another set of hands hold the reservoir assembly in place. Hold the Serrated Flange Nuts (BOM item #7) on the inside of the frame through the rectangular hole with the Installation Tool (BOM item #14). Then, thread the two Flat Head Screws through the holes in the Reservoir Mount Plate and frame, and into the Serrated Flange Nuts. Tighten down the Flat Head Screws with a 5mm hex. Once they are snug, the Installation Tool can be removed. The serrations will hold the nuts in place while the screws are tightened.  
**Torque Flat Head Screws to 16 ft-lb (22 Nm).**

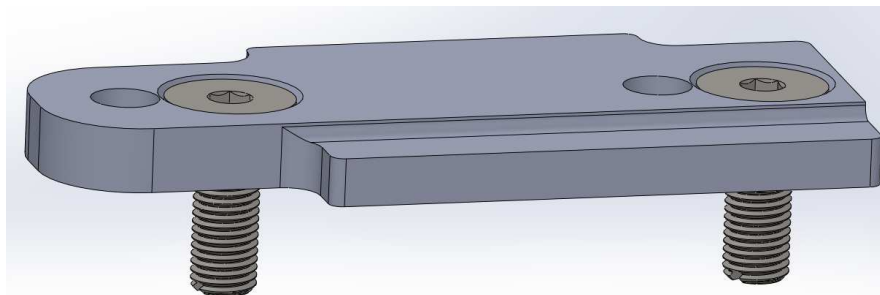




- U. Re-install the rectangular frame hole plug that was removed in step N.
- V. Re-attach and torque outer tie rod (if removed) and control arm to knuckle ball joint nut according to service manual specifications.
- W. Slide the reservoir down in the clamp so the Circlip is resting on the top side of the clamp. Position the reservoir as shown above and confirm it is not contacting anything on the vehicle. Confirm the reservoir hose is not contacting the upper control arm (at full droop). If it is, create some clearance by rotating the reservoir so it pulls the hose fitting in-board. Tighten the Socket Head Cap Screw (BOM item #3) that was installed in step P.  
**Torque the Socket Head Cap Screw to 6 ft-lb (8 Nm).**

## **Swar Bar Relocation Installation**

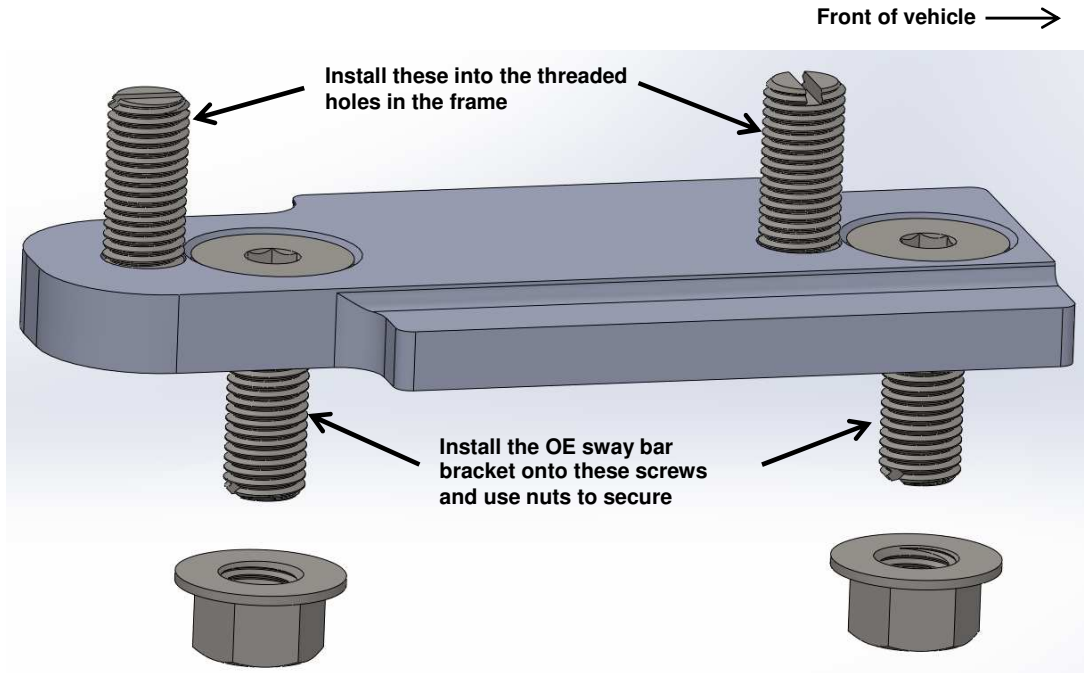
- X. Prepare the following assembly by applying non-permanent thread locker to four Flat Head Screws (BOM item #16). Place two of them into the countersunk holes in the Sway Bar Spacer (BOM item #19) as shown below.



# E4-WM5-Y648A00 MOUNTING INSTRUCTION



- Y. Place the other two Flat Head Screws up through the countersunk holes on the bottom side of the Sway Bar Spacer. Mount the Sway Bar Spacer assembly to the frame using the existing threaded holes that the OE sway bar bracket was removed from in step B. Tighten using a 6mm hex.  
**Torque Flat Head Screws into frame to 32.5 ft-lb (44 Nm).**



- Z. Install the OE sway bar bracket as shown above and secure with the two Flange Nuts (BOM item # 17) using a 15mm wrench. Place a flat head screw driver into the slot in the end of the Flat Head Screw to keep it from rotating while tightening the Flange Nut.  
**Torque Flange Nuts to 32.5 ft-lb (44 Nm).**

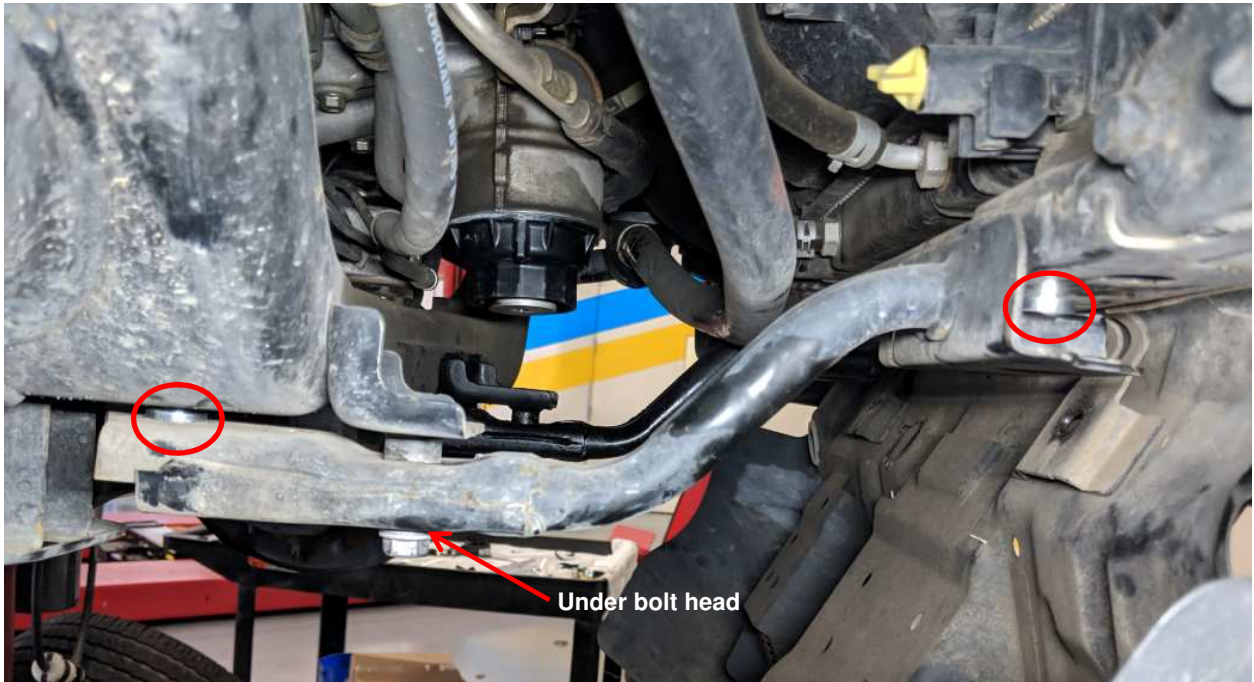
# E4-WM5-Y648A00 MOUNTING INSTRUCTION



AA. Re-install the radiator core support with the three spacers (BOM item #18) in the locations shown below with the three bolts that were removed in step D.

[NOTE: the spacers are only required on 4Runner, not on FJ Cruiser models].

**Torque OE radiator core support bolts to service manual specification.**



BB. Re-install skid plate with the bolts that were removed in step A (2 per side).  
**Torque skid plate bolts to service manual specification.**

## **ABS Line Relocation Bracket Installation**

CC. Clip and remove the OE zip tie shown in the image below (circle #1) and remove ABS line from bracket (circle #2). Be careful to not damage the ABS line during this process.



# E4-WM5-Y648A00 MOUNTING INSTRUCTION



DD. Remove OE ABS line bracket by removing the hex head cap screw with a 10mm socket.

EE. Install the ABS Line Relocation Bracket (BOM item #13) as shown below with the same hex head cap screw that was removed in the previous step. Secure ABS line with two zip ties (BOM item #10) as shown below. Trim excess zip tie length after installation.



front view



back view

FF. Check wheel alignment and adjust to the vehicle manufacturer's specifications. This completes the installation, unless the "exposed thread" dimension shown in Step I (page 5) is set higher than 1".

**If the "exposed thread" dimension shown in Step I (page 5) is set higher than 1", continue on to steps GG and HH:**

GG. Remove original chassis jounce bumpers (one per side) according to vehicle manufacturer's procedures.

HH. Install the supplied spacer washers (located in the plastic bag with this instruction) as shown in two the pictures below and reinstall the jounce bumpers in their original positions. Torque to 27 N·m (20 lb·ft).



E4-WM5-Y648A00  
MOUNTING INSTRUCTION



Final left front (driver) 41-284865 B8 8112 shock installed on vehicle:



E4-WM5-Y648A00  
MOUNTING INSTRUCTION



Final right front (passenger) 41-284872 B8 8112 shock installed on vehicle:

