

E4-WM5-Y555A00 MOUNTING INSTRUCTION



IMPORTANT! READ THIS FIRST!

Installation of shock absorbers requires special tools and expert knowledge. Accordingly, installation of all BILSTEIN products must be performed by a qualified suspension specialist.

When replacing other brands, BILSTEIN shock absorbers should always be installed as a set. All BILSTEIN products must only be used for the specific, intended application as indicated in the application guide. **Any use of any BILSTEIN product other than for its intended use may result in serious bodily injury or death.**

Always use a chassis hoist for the installation of BILSTEIN products and make certain that the raised vehicle is securely attached to the hoist and/or supported to prevent the vehicle from slipping, falling, or moving during the installation process.

If you choose to install any BILSTEIN product without the necessary special tools, expertise or chassis hoist, you may subject yourself to the risk of serious bodily injury or death. If you elect not to use a chassis hoist, at least make sure the vehicle is on level ground, that all tires on the ground during installation are blocked to prevent movement, that at least two tires are on the ground at all times, and that adequately secured safety stands (jack stands) are used to support the chassis. **NEVER** get under the vehicle until you have checked to make sure all of these steps are performed.

BILSTEIN suspension products are gas-filled and are highly pressurized.

- Never place any BILSTEIN product in a vise or use a clamp on any BILSTEIN product.
- Never apply heat near any BILSTEIN product.
- Never attempt to open or repair any BILSTEIN product, in order to prevent **serious bodily injury or death.**

Any attempt to misuse, misapply, modify, or tamper with any BILSTEIN suspension product voids any warranty and **may result in serious bodily injury or death.**

While installing any BILSTEIN product:

- Do not use impact tools for loosening or tightening fasteners, because this may destroy the screw threads.
- Self-locking fasteners must only be used **once!**
- Reuse original equipment components only if they are in good condition, otherwise replace them with new components.
- Never remove the slight film of oil on the piston rod and seal.
- All mounting fasteners for shocks and struts must be securely tightened before the vehicle is operated.

After installing any BILSTEIN product:

- The suspension caster and camber must be checked and/or adjusted to comply with the vehicle manufacturer's specifications.
- The (load dependent) brake compensator and the anti-lock brake system must be checked and/or reset to comply with the vehicle manufacturer's specifications.
- The headlight aim must be checked and adjusted.

CAUTION!!!

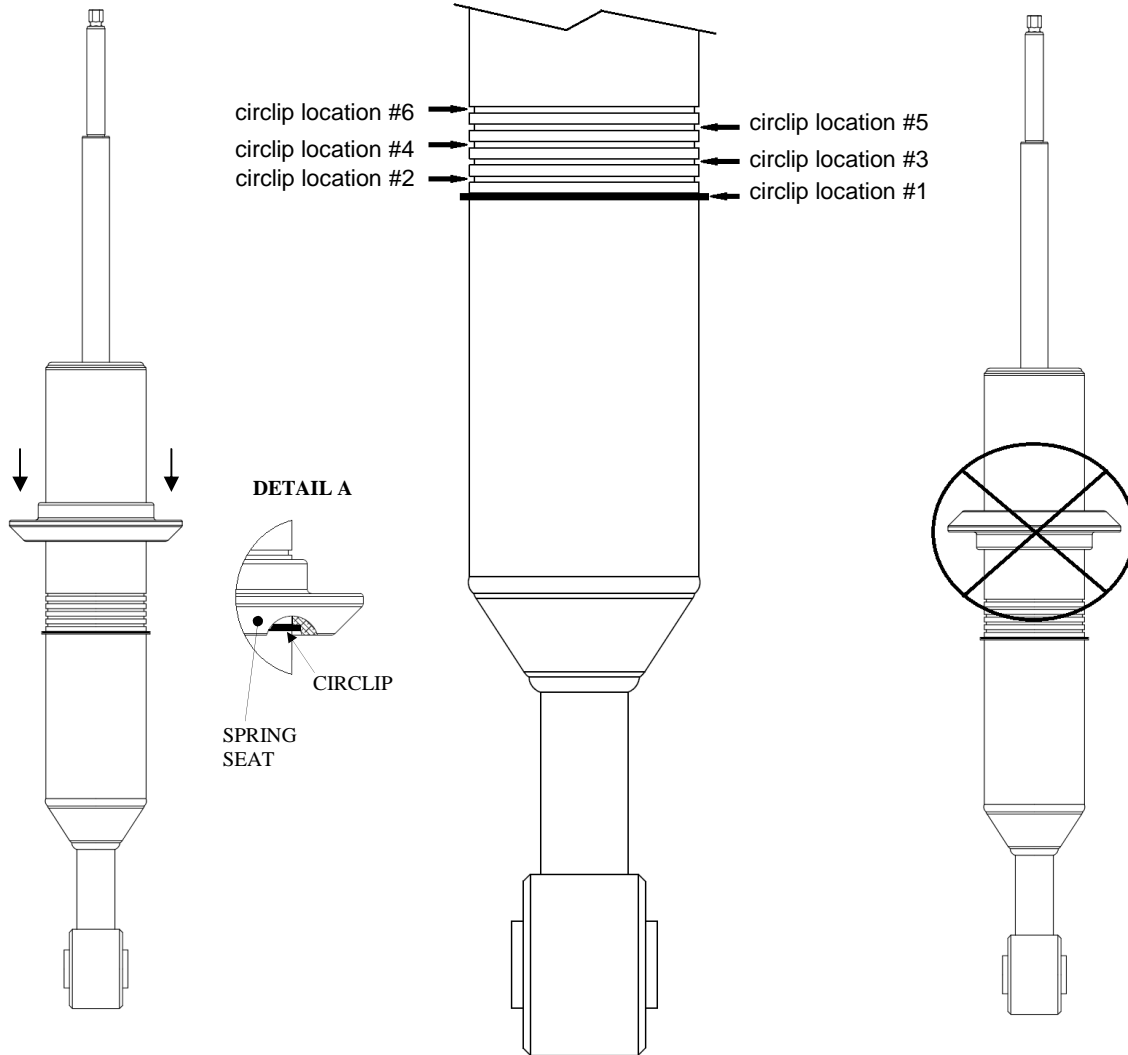
Before disassembling the front suspension, refer to the vehicle manufacturer's Service Manual for proper procedures. The coil spring is preloaded and must be compressed with a spring compressor to release load before the upper mount is disassembled. Failure to follow the vehicle manufacturer's procedures may cause serious injury or death, and may damage the vehicle.

E4-WM5-Y555A00 MOUNTING INSTRUCTION



**IMPORTANT:
PLACE CIRCLIP IN APPROPRIATE GROOVE TO ADJUST RIDE HEIGHT.**

Use appropriate tools to move the circlip. Ensure that the circlip is fully seated in the groove after moving it (you should be able to rotate it manually in the groove). Install the spring seat in the direction shown only. The circlip must fit completely in the groove inside spring seat (DETAIL A). **Improper installation will cause permanent damage to the shock!**



B8 6112 Typical Lift Heights**	
Circlip Location	'08+ Land Cruiser 4x4
#6	3"
#5	2.6"
#4	2.2"
#3	1.8"
#2	1.4"
#1	1"

** Lift heights indicated are typical. Actual lift height is influenced by which factory suspension the vehicle is equipped with and its condition; optional equipment and accessories on your vehicle, and other vehicle modifications such as replacement coil springs, wheel and tire combinations, etc.

Modifying/lifting the suspension to your vehicle may raise its center of gravity and may make it more susceptible to loss of control and/or rollover, which may result in death or serious injury. We strongly recommend that you offset the loss of rollover resistance as much as possible by increasing tire track width, and that you equip the vehicle with a functional roll bar and cage system.

Wear seat belts and shoulder harnesses at all times, and avoid situations where a side rollover may occur.

E4-WM5-Y555A00 MOUNTING INSTRUCTION



Instructions for disassembly of OE shock absorber module:

- A. Remove the existing shock and spring unit from the vehicle following all procedures in the vehicle manufacturer's service manual.
- B. Note the clocking of the lower mount bushing relative to the studs on the upper mount (important for reassembly).
- C. Using an appropriate spring compressor, compress the spring until it can be rotated freely by hand. Then, disassemble the shock and spring unit.

Instructions for assembly of B8 6112 shock absorber module:

- D. Select desired lift height by seating the circlip in the appropriate circlip location (see page 2).

[Refer to Figure 2 on page 5 for steps E-N]

- E. Install the supplied spring seat onto the shock body as shown. Ensure that the groove inside the spring seat fits over the circlip on the shock body (see DETAIL A on page 2). Improper installation will cause permanent damage to the shock.
- F. Install the supplied rod adapter (counter bore side down) onto the stem of the rod as shown.
- G. Install the supplied sleeve onto the stem of the rod as shown.
- H. Install one of the supplied washers (concave side up) onto the stem of the rod as shown.
- I. Using an appropriate spring compressor, compress the supplied coil spring enough to safely assemble it with the new Bilstein shock.
- J. Verify OE lower bushing is still glued underneath OE upper mount. Then place OE upper mount (top mount plate and spring isolator) onto the top of the spring and install the Bilstein unit into the spring up through the center of the OE upper mount.
- K. Install the supplied bushing onto the stem of the rod and over the sleeve. Some force will have to be applied to push it over the sleeve.
- L. Install the second supplied washer (concave side down) onto the stem of the rod as shown.
- M. Install the provided new locknut and tighten to 72 N·m (53 lb·ft). Be sure to keep the top washer centered under the nut while it's being torqued to ensure it seats around the sleeve.
******DO NOT USE AN IMPACT WRENCH TO TIGHTEN THE NUT! ******
- N. Rotate the shock so that the lower mount is aligned with the upper mount studs as noted in step B.
- O. Slowly release the spring compressor while ensuring that the end of the spring remains aligned with the OE upper mount.
- P. Install the module assembly on to the vehicle and tighten all fasteners to vehicle manufacturer's specifications.
- Q. Check wheel alignment and adjust to the vehicle manufacturer's specifications.
- R. This completes the installation, **unless you are using one of the higher ride height settings that uses circlip locations #5 or #6:**

E4-WM5-Y555A00 MOUNTING INSTRUCTION



If circlip locations #5 or #6 are being used, continue on to steps R and S:

- S. Remove original chassis jounce bumpers (2 per side) according to vehicle manufacturer's procedures.
- T. Install the supplied spacer washers as shown in the pictures in Figure 1 and reinstall the jounce bumpers in their original positions. Torque to 27 N·m (20 lb·ft).



E4-WM5-Y555A00 MOUNTING INSTRUCTION

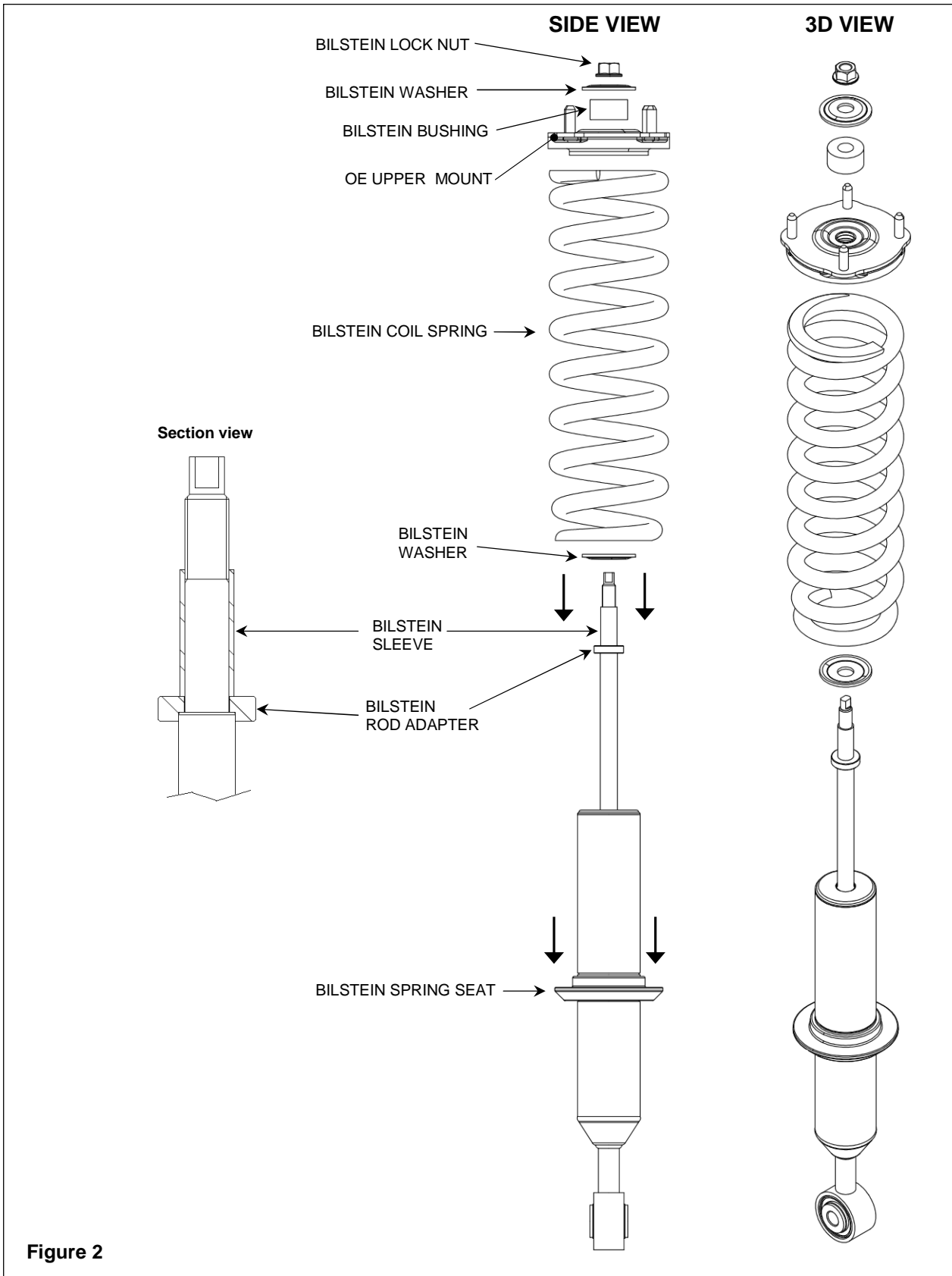


Figure 2