



Installation Guide
BR-10 Mounting Plate Winch Tray
24173TW

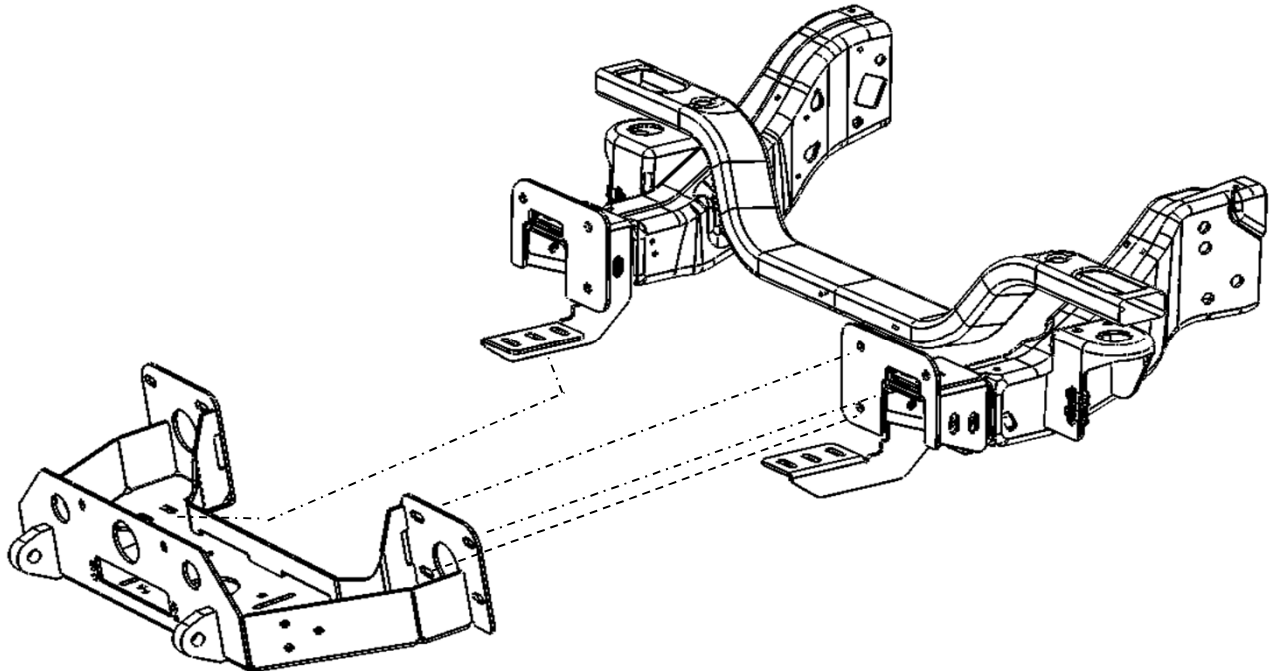
Do not attempt to install this product on any vehicle other than the one listed above!

Approximate installation time: 25 min.

1- Please locate on full installation instructions sheets on the shell packaging box. In that Box you will find the brackets and the hardware kit to install the product.

	<u>Part List</u>	
Item	Qty.	Description
1	1	Winch Tray

Bumper Shell Application with this winch tray:
#24173T - Chevrolet Silverado 2500HD/3500HD 2015



Read the assembly and installation instruction completely and verify that all of the parts listed are accounted for. If you have defective, missing or damaged parts or need assistance, please contact Go Rhino Products forfast, friendly customer at: 1-888-427-4466 or email: warranty@gorhino.com