

GO RITE PRODUCTS 3000 SERIES INSTALLATION INSTRUCTIONS
2001 NISSAN FRONTIER P/U 2/4WD PART NO. 3933M, 3933MC REV.A 9/00

<u>QTY</u>	<u>PARTS DESCRIPTION</u>
- 2	1/4" SOCKET SCREWS
- 2	1/4" HEX NUTS
- 2	1/4" X 1/2" HEX BOLTS
- 2	1/4" FLAT WASHERS
1	3933LP LICENSE PLATE BRACKET
- 2	NYLON FLANGE WASHERS
- 4	5/16" X 1" HEX BOLTS
- 4	5/16" LOCK WASHERS
- 6	5/16" FLAT WASHERS
- 4	5/16" HEX NUTS
- 4	3/8" X 1" BUTTON HEAD BOLTS
- 4	3/8" X 1" HEX BOLTS
- 4	3/8" FLAT WASHERS
- 4	3/8" LOCK WASHERS
- 4	3/8" HEX NUTS
- 4	1/2" X 1 1/2" HEX BOLTS
- 4	1/2" FLAT WASHERS
- 4	1/2" LOCK WASHERS
- 4	1/2" HEX NUTS
2	1373U UPPER BRACKETS
2	1372F FRAME BRACKETS

ASSEMBLY INSTRUCTIONS

STEP 1. BEGIN THE ASSEMBLY BY LOOSELY ATTACHING THE BOTTOM STEP TUBE TO THE GRILLE GUARD SIDE PLATES USING THE 3/8" X 1" BUTTON HEAD BOLTS.

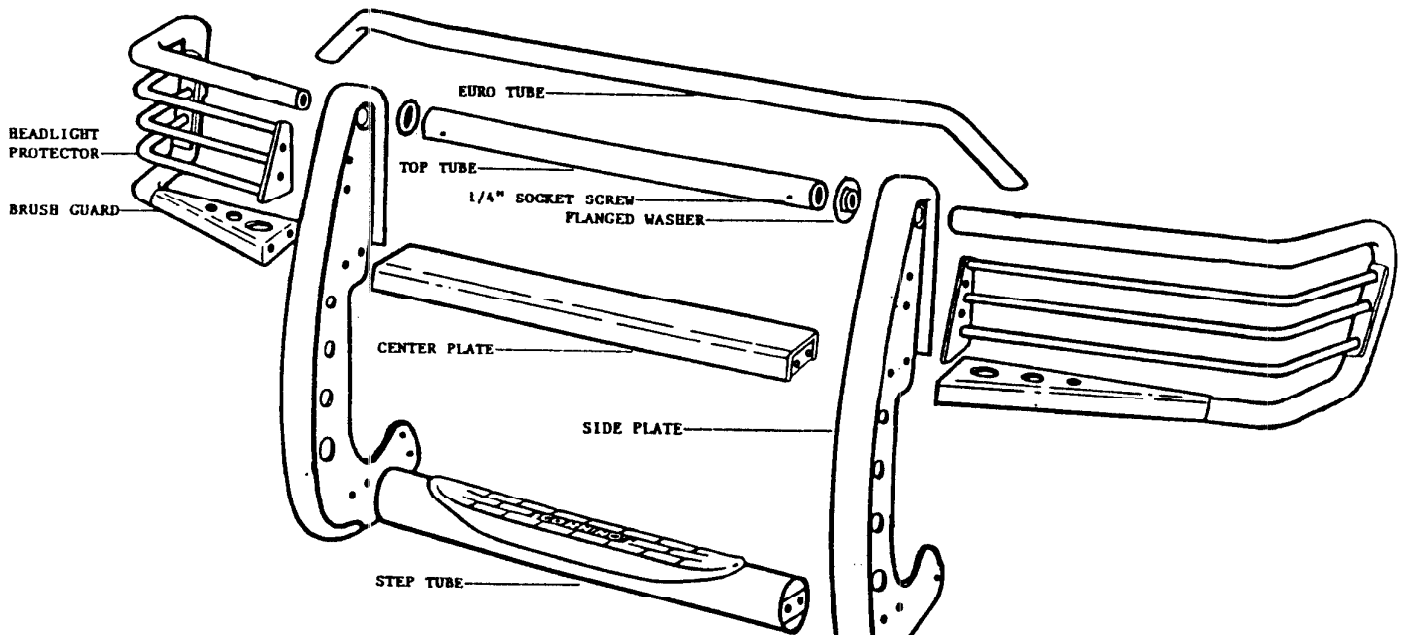
STEP 2. POSITION THE TOP TUBE BETWEEN THE GRILLE GUARD SIDE PLATES, SLIDE THE BRUSH GUARDS THROUGH THE SIDE PLATES, FLANGED WASHERS AND INTO THE TOP TUBE.

STEP 3. ATTACH THE CENTER PLATE TO THE SIDE PLATES AND BRUSH GUARDS USING THE 3/8" X 1" HEX BOLTS, LOCK WASHERS AND HEX NUTS.

STEP 4. ATTACH THE EUROTUBE TO THE BRUSH GUARDS USING THE 5/16" X 1 1/2" FLAT HEAD SCREWS.

STEP 5. ALIGN THE GRILLE AND BRUSH GUARD ASSEMBLY AND TIGHTEN ALL NUTS AND BOLTS. NOTE: SECURE THE TOP TUBE USING THE 1/4" SOCKET SCREWS.

STEP 6. ATTACH THE HEAD LIGHT PROTECTORS TO THE BRUSH GUARDS USING THE 1/4" X 1/2" BUTTON HEAD BOLTS AND TO THE SIDE PLATES USING THE 5/16" X 1" BUTTON HEAD BOLTS AND LOCK NUTS.



INSTALLATION INSTRUCTIONS

STEP 1. BEGINNING WITH THE DRIVER SIDE, LOCATE AND REMOVE THE (2) BOLTS THAT SECURE THE BUMPER BRACKET TO THE SIDE OF THE FRAME RAIL.

STEP 2. POSITION (1) OF THE 1372F FRAME BRACKETS OVER THE BUMPER BRACKET, AND ATTACH THE (2) BRACKETS TO THE FRAME USING THE FACTORY BOLTS AS SHOWN.

REPEAT THE ABOVE STEP FOR THE PASSENGER SIDE.

STEP 3. REMOVE THE PLASTIC SCREWS AND CLIPS, LOCATED AT THE BOTTOM OF THE GRILLE OPENING IN THE VEHICLE'S FRONT BUMPER. THESE HOLES WILL SERVE AS THE UPPER BRACKET MOUNTING POINTS.

STEP 4. LOOSELY ATTACH THE UPPER BRACKETS TO THE BUMPER USING THE 5/16" X 1" HEX BOLTS, WASHERS AND NUTS.

STEP 5. ATTACH THE GRILLE GUARD ASSEMBLY TO THE FRAME BRACKETS USING THE 1/2" FASTENERS AND TO THE UPPER BRACKETS USING THE 5/16" FASTENERS SUPPLIED.

STEP 6. ALIGN THE GRILLE GUARD ASSEMBLY WITH THE FRONT OF THE VEHICLE AND TIGHTEN ALL MOUNTING NUTS AND BOLTS.

