

INSTALLATIONS INSTRUCTIONS
PART#4127(B-C-PS) SIDE BAR
09-13 F-150 SUPER CAB (NEW BODY STYLE)

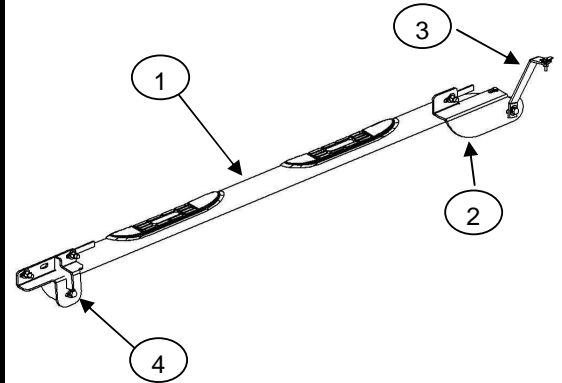
Parts List:

ITEM	QTY.	DESCRIPTION	TORQUE MAX.
1	1	Side Bar Set	-
	1	BRK-37229 Brackets kit includes:	-
2	1	Front Mounting Brackets Set	-
3	1	Front auxiliary Brackets Set	-
4	1	Rear Mounting Brackets Set	-
5	2	5/16" Bolt Plate	11 Lb.Ft
6	4	1/2" Bolt Plate	75 Lb.Ft
7	1	KTE-37229 Hardware kit includes:	
8	6	1/2 x 2" Hex head bolt zinc plated	75 Lb.Ft
9	12	1/2" Flat washer zinc plated	-
10	10	1/2" Lock washers zinc plated	-
11	6	1/2" Hex nut zinc plated	75 Lb.Ft
12	2	5/16" Flat washers zinc plated	-
13	2	5/16" Lock washers zinc plated	-
14	2	5/16" Hex nut zinc plated	11 Lb.Ft
15	2	1/4 x 1" Hex head bolt black plated	9 Lb.Ft
16	4	1/4" Flat washer black plated	-
17	2	1/4" Lock washer black plated	-
18	2	1/4" Hex nut black plated	9 Lb.Ft

Required Tools (no included)

DESCRIPTION	QTY.
9/16" Socket / Wrench	1
3/4" Socket / Wrench	1
1/2" Socket / Wrench	1
7/16" Socket / Wrench	1
Ratchet	1
Ratchet extension	1

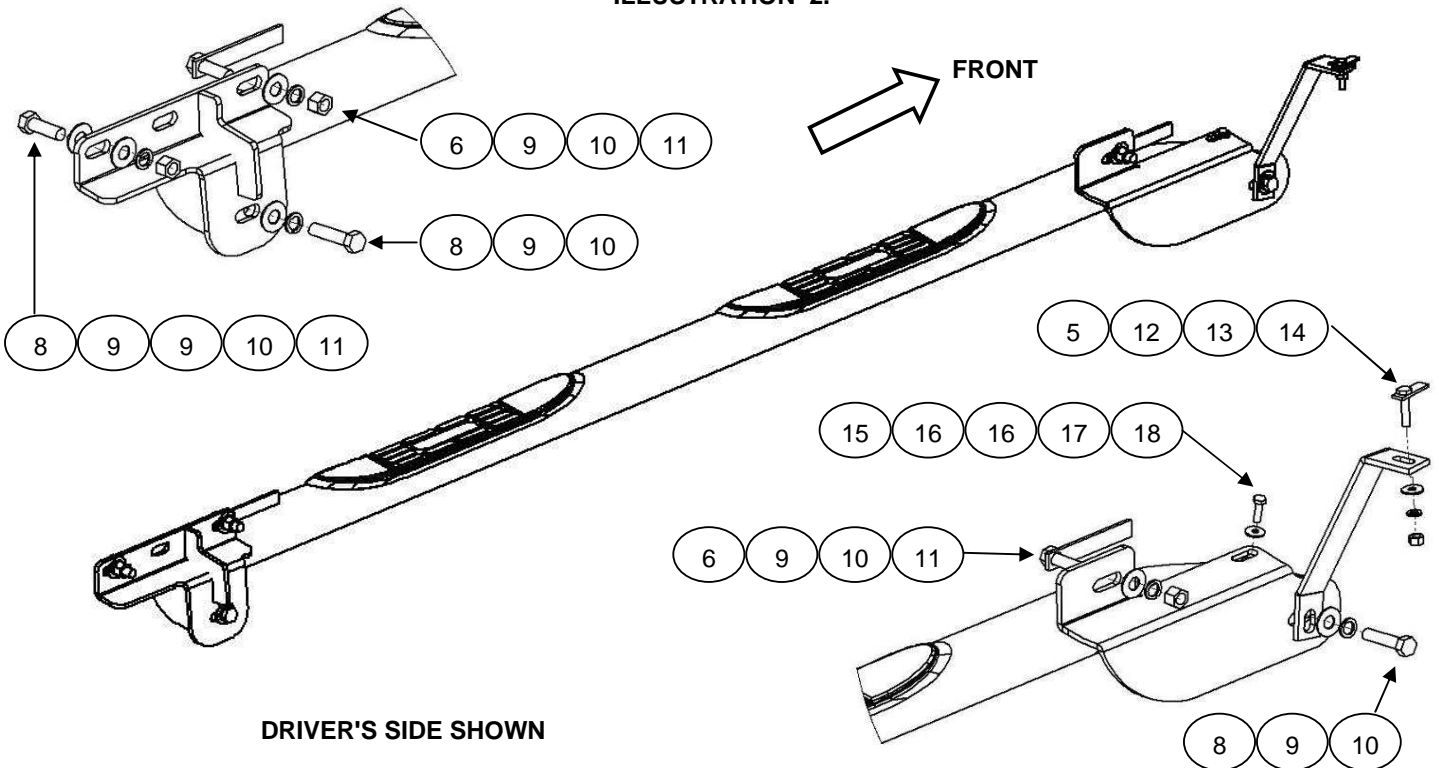
ILLUSTRATION 1.



Instructions:

Approximate installation time: 40 min.

ILLUSTRATION 2.



Cleaning and care instructions:

Design :

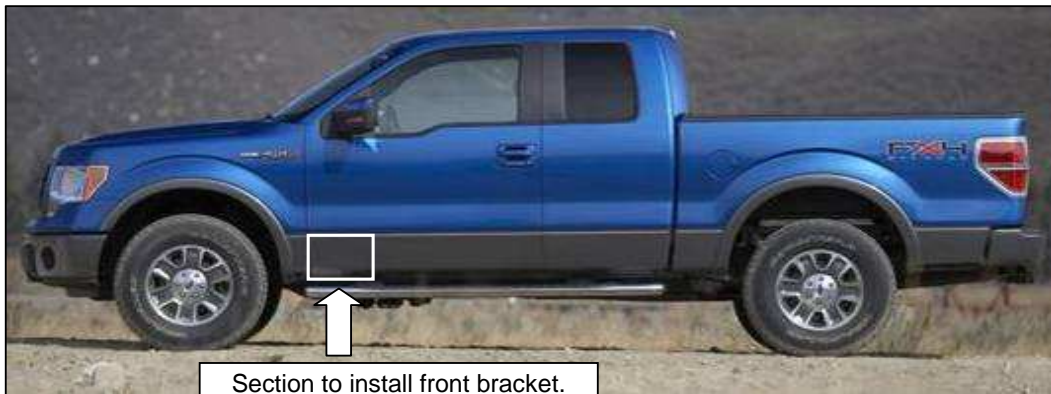
Quality:

Keep your product clean. Do not use abrasive cleaners or polish. We recommend only non-abrasive automotive wax such as pure carnauba to avoid scratches or rust.

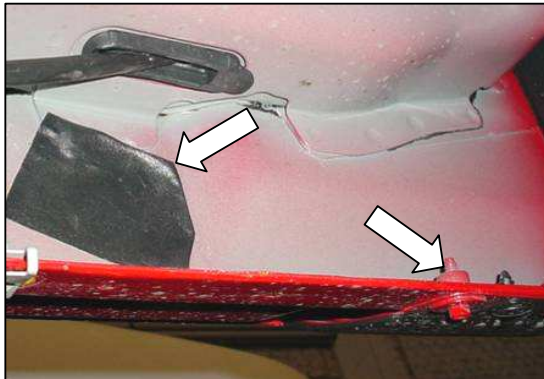
INSTALLATIONS INSTRUCTIONS PART#4127(B-C-PS) SIDE BAR

1. Before beginning the installation, please read all directions carefully and verify that all necessary hardware is accounted for. If any parts are missing, stop the installation and contact your distributor immediately.
2. To install front mounting bracket locate in the rocker panel remove the tape covering the holes and insert the (1) 1/2" bolt plate.
See picture 1 & 2.
 - a).- Remove the bolt and clip nut. **See picture 2.**
 - b).- Install the front mounting bracket using corresponding hardware. Leave loose. **See illustration 2.**
 - c).- Secure front mounting bracket's face towards the floor using (1) 3/8 x 1 1/4" carriage head bolt with corresponding provided hardware.
Leave loose. **See Illustration 2.**
3. To install front auxiliary mounting bracket locate and remove the cover tape behind the front mud guard and insert into the square hole (1) 5/16" bolt plate. **See picture 3.**
 - a).- Install the front auxiliary mounting bracket using corresponding hardware. Leave loose. **See illustration 2.**

PICTURE 1



PICTURE 2



Remove this cover hole tape and bolt & clip nut.
Front driver's side shown.

PICTURE 3



Insert into the square hole steel bar with 5/16" bolt.
Front driver's side shown.

4. To install rear mounting bracket, locate and remove at the rocker panel the cover tape and insert into the largest round hole (1) 1/2" bolt plate and place into the small round hole (1) 1/2 x 2" hex head bolt. **See picture 4 and installation sequence.**
 - a).- Install the rear mounting bracket using corresponding hardware. Leave loose. **See illustration 2.**

Cleaning and care instructions:

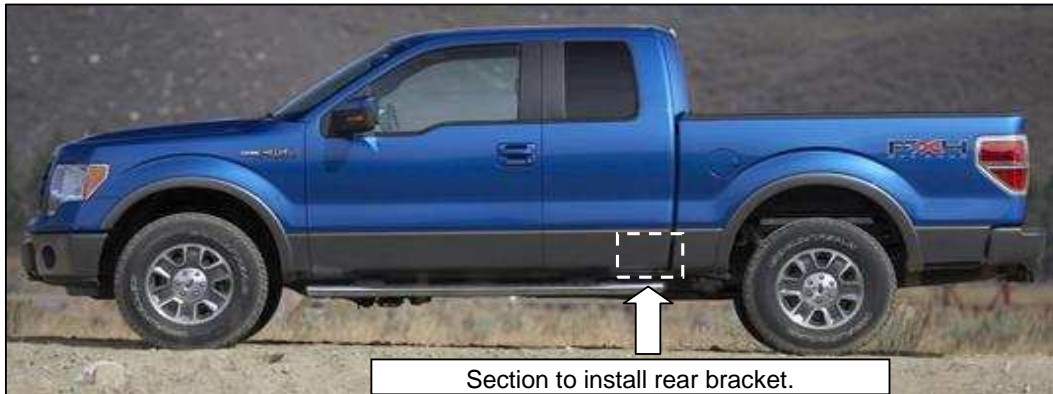
Design :

Quality:

Keep your product clean. Do not use abrasive cleaners or polish. We recommend only non-abrasive automotive wax such as pure carnauba to avoid scratches or rust.

**INSTALLATIONS INSTRUCTIONS
PART#4127(B-C-PS) SIDE BAR**

PICTURE 4



INSTALLATION SEQUENCE (PASSENGER SIDE).



Cover tape to remove.

Insert 1/2" bolt plate

1/2" bolt plate installed.

Rear bracket installed.

5. Place side bar to the front/rear mounting brackets and secure using (1) 1/2 x 2" hex head bolt, and (1) 1/2" flat and lock washers. **NOTE:** Using same 1/2" bolt at front secure main mounting bracket and auxiliary mounting bracket . Leave loose. **See Illustration 2.**
6. Align the sidebar to the vehicle and tighten all hardware.
7. Repeat for the other side of vehicle.
8. Fill out the warranty card included and place it inside your vehicle.

PICTURE 5



INSTALLED SIDE BAR.

Cleaning and care instructions:

Design :

Quality:

Keep your product clean. Do not use abrasive cleaners or polish. We recommend only non-abrasive automotive wax such as pure carnauba to avoid scratches or rust.