

Installation Instructions

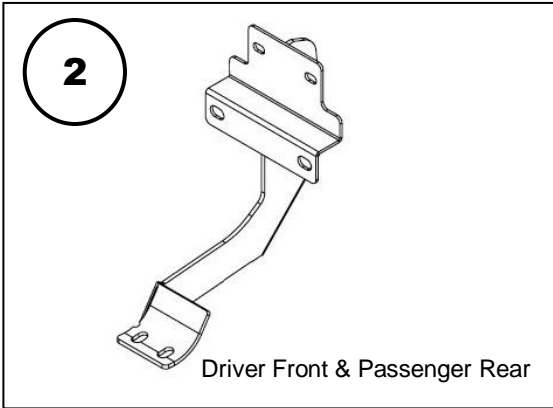
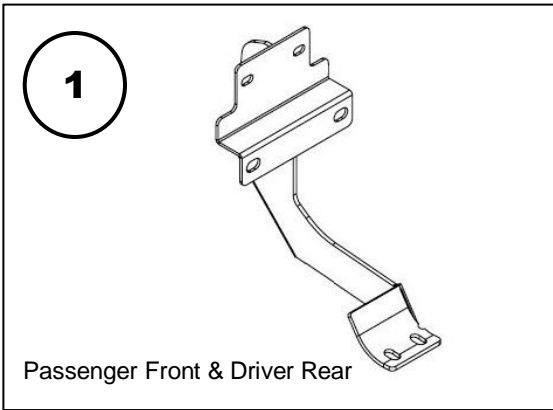
4000 Series Side Steps Part # 4156

2015-2016 Ford F-150 Super Cab

Do not attempt to install this product on any vehicle other than the one listed above!

Parts List

No.	Qty.	Part #	Description	Torque
1	2	379690BA	Bracket	
2	2	379690BA	Bracket	
3	1	37929	Driver Side Step	
4	1	37929	Passenger Side Step	
5	12		M8-1.25 Hex Nut (gray plated)	20 Ft. Lbs
6	12		5/16" Flat Washer (gray plated)	
7	12		5/16" Lock Washer (gray plated)	
8	8		3/8" -16 x 1-1/4" Hex Bolt	30 Ft. Lbs
9	8		3/8" Flat Washer	.
10	8		3/8" Lock Washer	



Tool Required:

- 13mm & 9/16" Socket
- 13mm & 9/16" Wrench
- Ratchet & Ratchet Extension

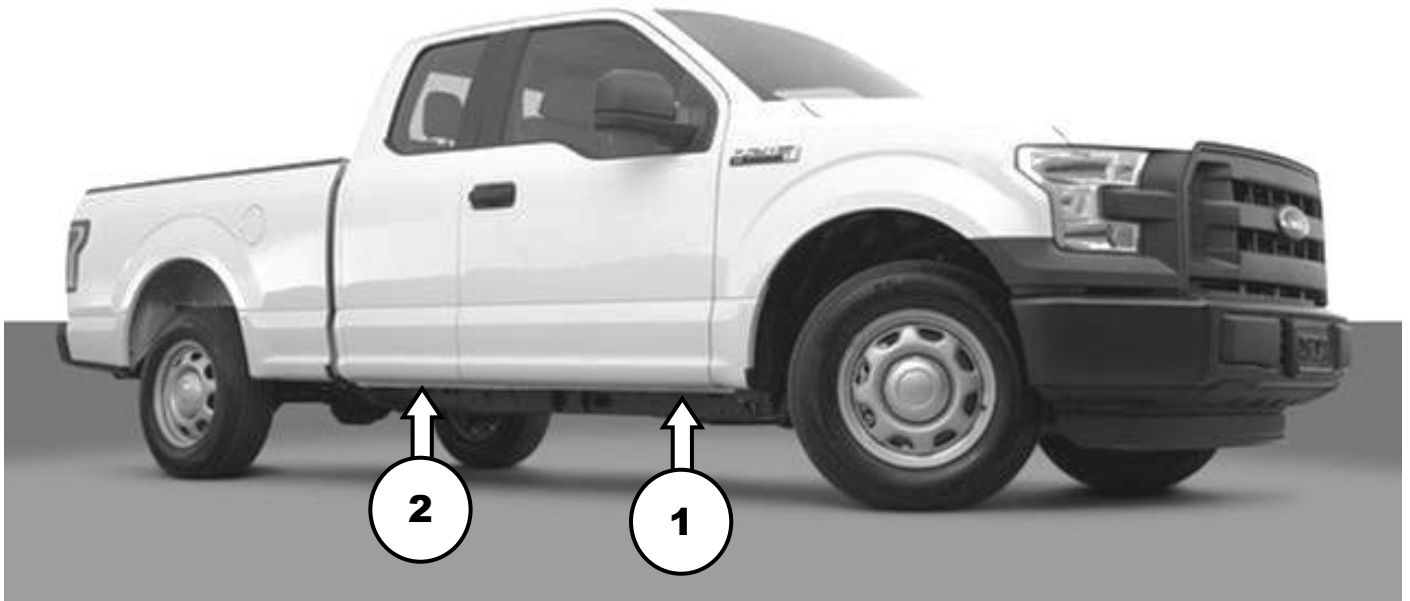
Approximate installation time: 60 min

Read the installation instructions completely and verify that all of the parts listed are accounted for. If you have defective, missing or damaged parts or need assistance, please contact **Go Rhino Products** for fast, friendly customer service at: 1-888-427-4466 or email: warranty@gorhino.com

Installation

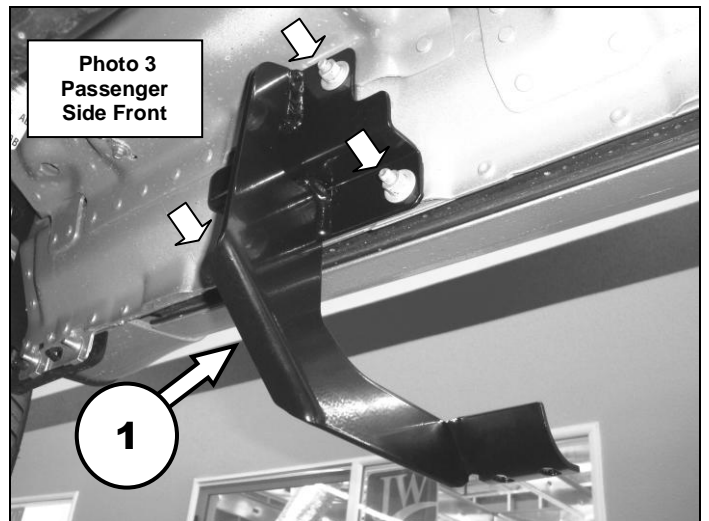
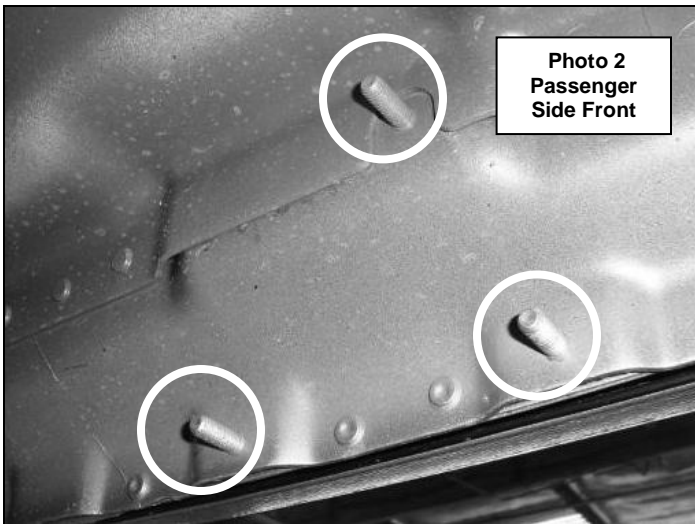
This installation uses 2 mounting brackets per side, (Photo 1).

Photo 1

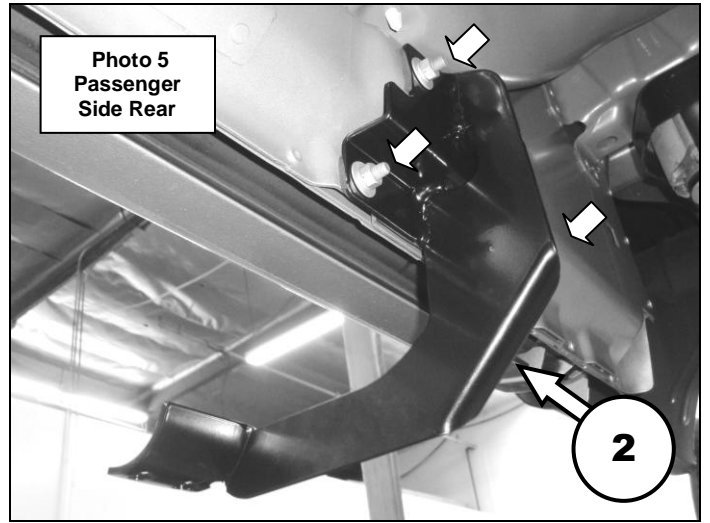
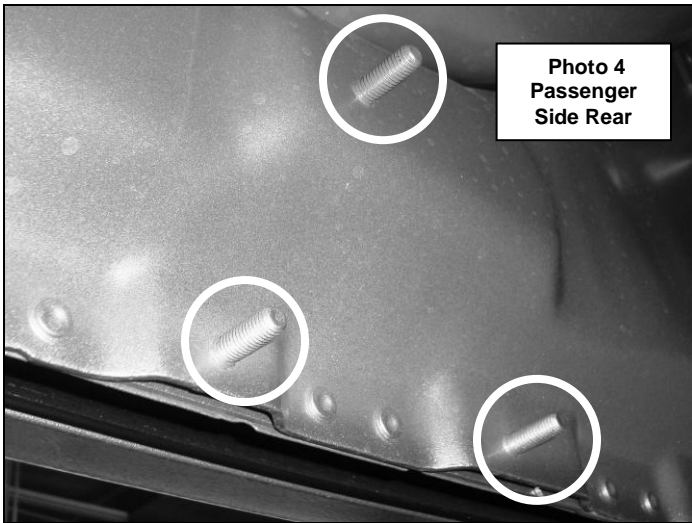


Step-1 Begin the installation on the passenger side. Starting at the front of the vehicle, locate the (3) threaded studs on the inner rocker panel, (Photo 2).

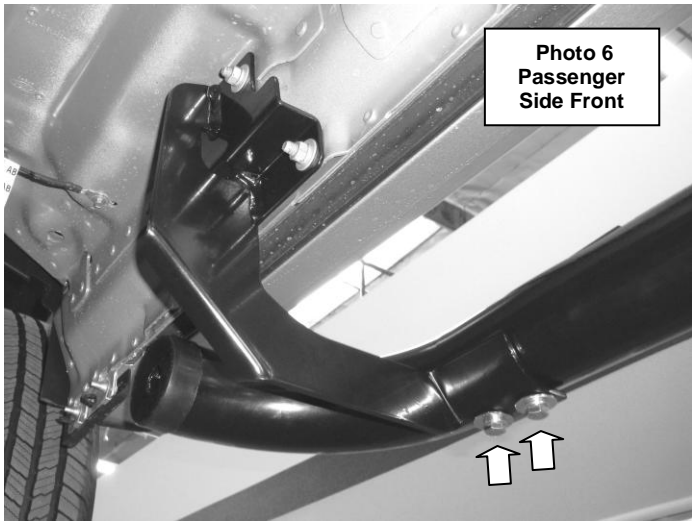
Step-2 Install the passenger front bracket by positioning the bracket over the studs and secure to the rocker panel using (3) 5/16" flat washers, (3) 5/16" lock washers and (3) M8 hex nuts. Leave the nuts loose for final adjustment, (Photo 3).



Step-3 Locate the (3) threaded studs on the inner rocker panel at the rear of the cab and repeat the above steps to install the passenger rear bracket, (Photo 4 & 5).



Step-4 Attach the driver side step to each bracket using (2) 3/8" x 1 1/4" hex bolts, (2) 3/8" flat washers, (2) 3/8" lock washers and (2) 3/8" hex nuts, (Photo 6 & 7).



Step-5 Align the side step with the vehicle and tighten all bracket and side step nuts and bolts, (Photo 8). Repeat the above steps to install the driver side brackets and side step. Remember to check and retighten the nuts and bolts every six months.

