

INSTALLATION INSTRUCTIONS

PART#4176(B-C-PS)

99 - 13 Ford Super Duty P.U. F-250HD, F-350 Super Cab

Parts List :

QTY

- (1) Sidebar set
(Driver & Passenger)
- (2) Mounting bracket set
(Driver & Passenger)

- (1) Hardware kit including :
 - (4) 1/2 x 2" Hex head bolt
 - (4) 1/2" Flat washer
 - (4) 1/2" Lock washer
 - (12) 3/8 x 1 1/2" Hex head bolt
 - (20) 3/8" Flat washer
 - (12) 3/8" Lock washer
 - (8) 3/8" Hex nut
 - (4) 3/8" Clip nut

Tools Required :

- 9/16" Socket
- 9/16" Wrench
- 3/4" Socket
- Ratchet

Approximated installation time: 30 min.

Instructions :

1. Read and understand instructions completely before beginning installation.
2. Sidebar set consist of a driver and passenger side. Be sure to determinate the correct side before installation.
3. Install the clip nut into the top hole on the interior wall of the rocker panel. The front and rear top hole patterns will be used for this installation as shown in Illustration 1.
4. Place mounting bracket and secure to the clip nut using 3/8" hex head bolts, with corresponding washers. Bolt mounting brackets to the existing holes using 3/8" hex head bolt, flat & lock washers and hex nut. Leave loose. Illustration 2.
5. Place the sidebar up to the mounting brackets and bolt to the mounting brackets using the 1/2 x 2" hex head bolt, flat and lock washer. Leave loose. Illustration 3.
6. Make any final adjustments to the alignment of the sidebar and tighten all bolts. Repeat for the opposite side.
7. You may need to periodically re-tighten the bolts.

Assembly Diagram :

Illustration 1

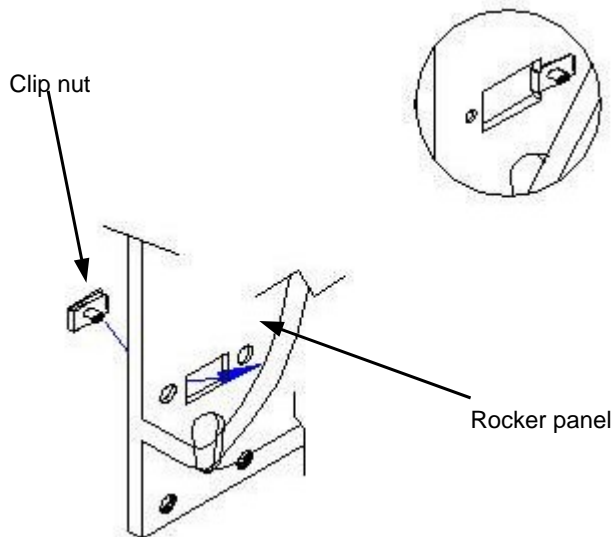
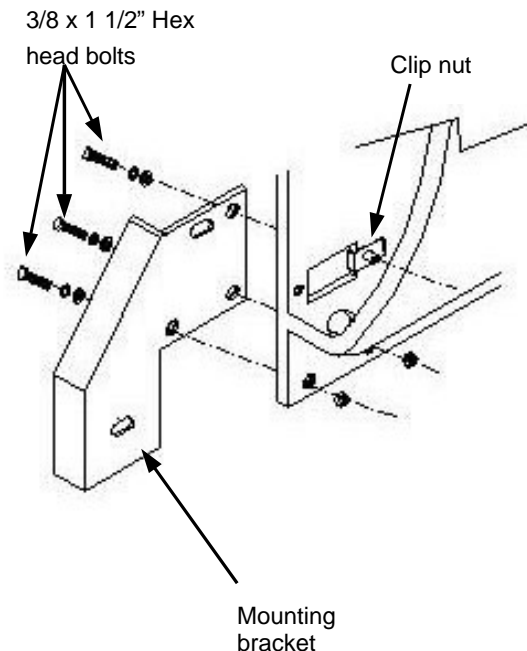


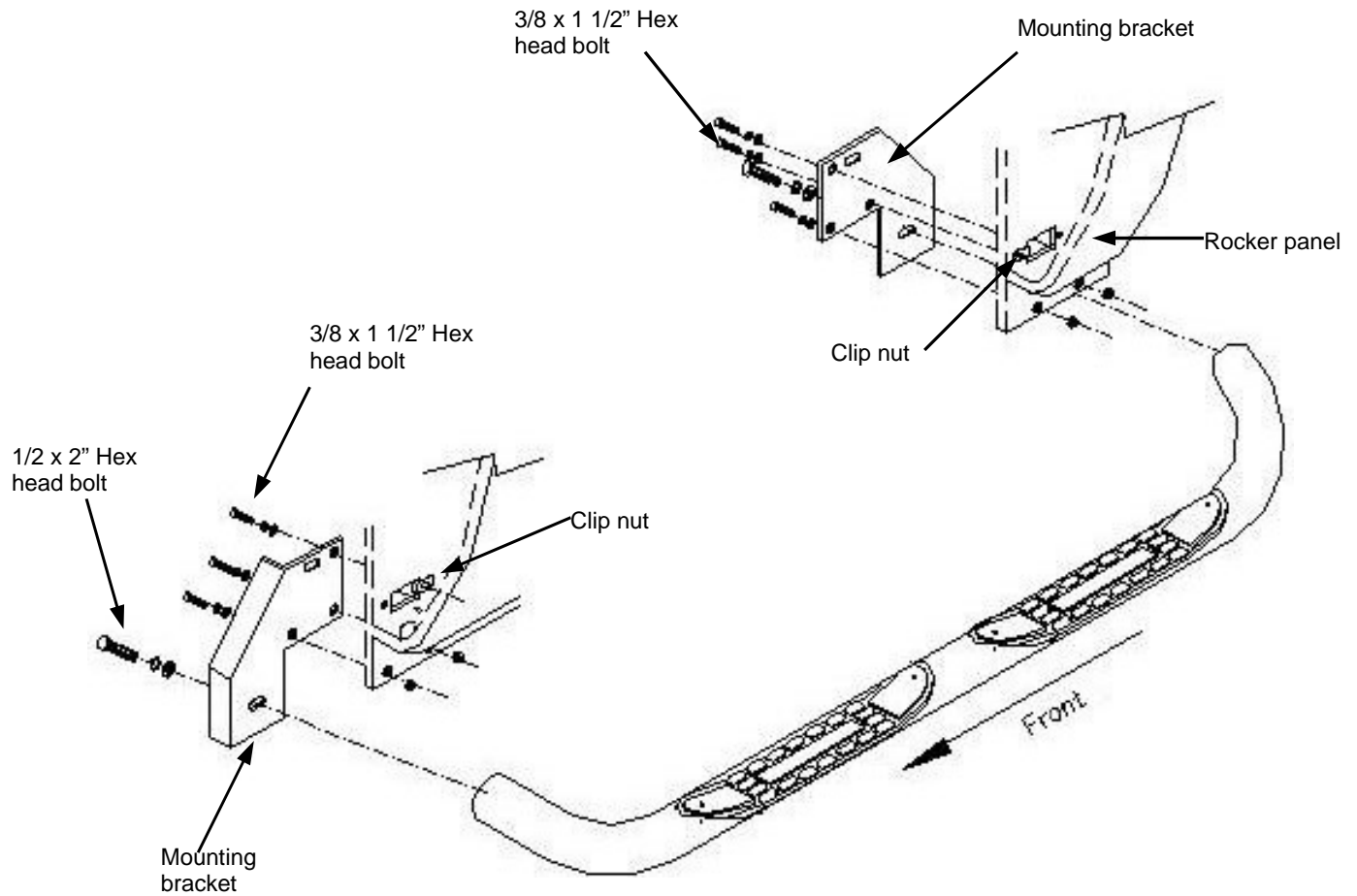
Illustration 2



INSTALLATION INSTRUCTIONS

PART#4176(B-C-PS)

Illustration 3



Cleaning and care instructions :

Protect the finish with a non-abrasive automotive wax, (e.g. Pure Carnauba) on a regular basis. The use of any soap, polish, or wax that contains an abrasive is detrimental to the finish, as the compounds scratch the finish and cause corrosion.