

# INSTALLATION INSTRUCTIONS

## 4410

### 89 – 94 Toyota Pick Up Regular Cab 2WD

#### Parts List :

QTY		( 1 ) Hardware kit including :
( 1 )	Sidebar set ( Driver & Passenger )	( 4 ) 1/2 x 1 1/2" Hex head bolt
( 2 )	Front mounting brackets	( 4 ) 1/2" Flat washer
( 2 )	Rear mounting brackets	( 4 ) 1/2" Lock washer
( 4 )	Top/bottom clamps sets	( 8 ) 3/8 x 1 3/4" Hex head bolt
( 3 )	Flat brackets	( 8 ) 3/8" Flat washer
( 1 )	Channel bracket	( 8 ) 3/8" Lock washer
( 1 )	Square spacer	( 8 ) 3/8" Hex nut

#### Tools Required :

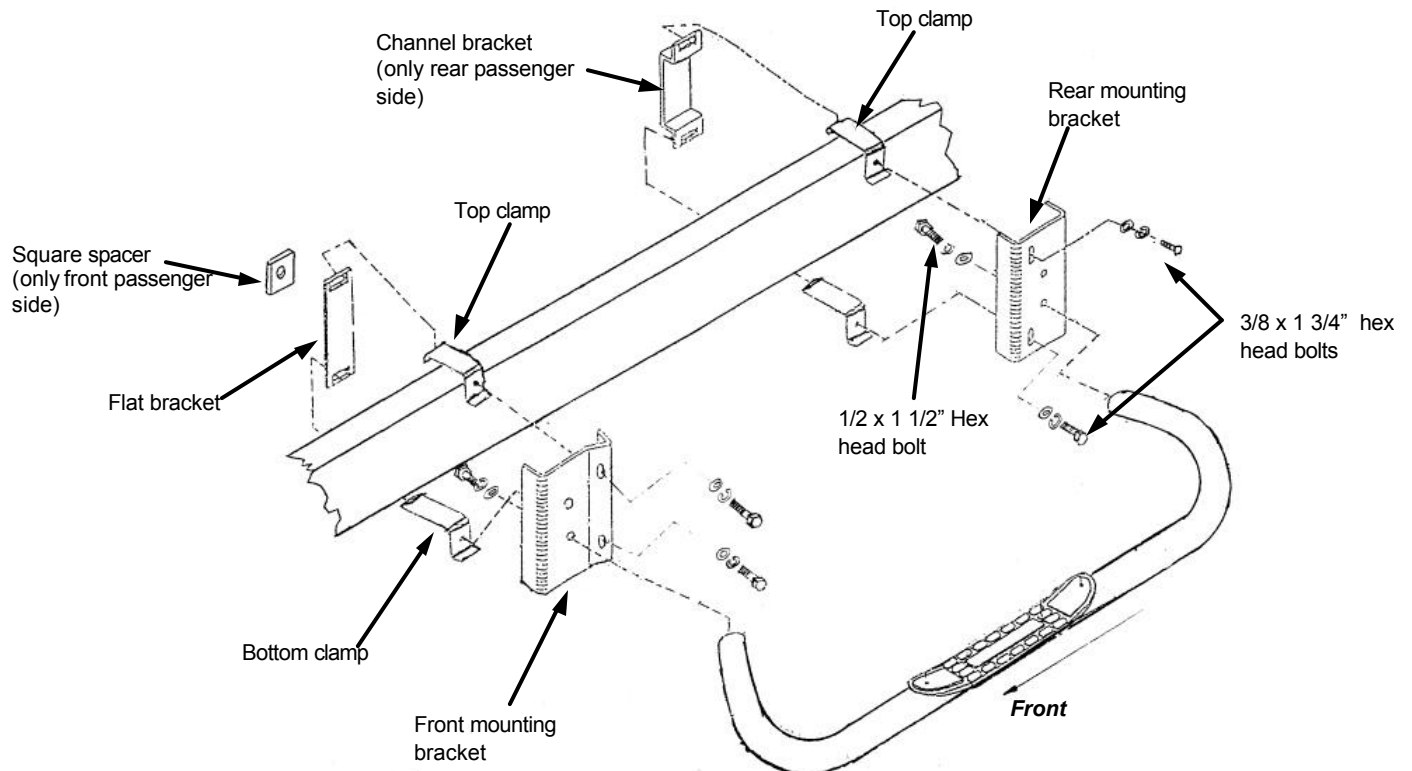
3/4" Socket	9/16" Socket	Ratchet
3/4" Wrench	9/16" Wrench	

#### Instructions .

**Approximated installation time:** 30 min.

1. Read and understand instructions completely before beginning installation.
2. Sidebar set consist of a driver and passenger side. Be sure to determinate the correct side before installation.
3. Bolt mounting brackets to the sidebars as shown in Illustration using 1/2 x 1 1/2" hex head bolts, flat and lock washers.
4. On the inside of the passenger side frame remove bolt holding plastic clip that supports brake and gas lines. Place the square spacer between the clip and the frame and reinstall bolt. **Note:** Remove only the clip nearest to the front of door.
5. Position side bar up to the frame (end of the tube about 5" from back of door), slide top clamp between top of frame and body. Then hook top and bottom clamps into flat/channel brackets as shown. Bolt mounting brackets to the top/bottoms clamps using 3/8 x 1 3/4" hex head bolts, flat & lock washers and hex nut. Leave loose. **Note:** Some adjustment front to back might be necessary to clear obstructions that might be on frame.
6. Make any final adjustments to the alignment of the sidebar and tighten all bolts. Repeat for the opposite side.
7. You may need to periodically re-tighten the bolts.

#### Assembly Diagram :



#### Cleaning and care instructions .

Protect the finish with a non-abrasive automotive wax, (e.g. Pure Carnauba) on a regular basis. The use of any soap, polish, or wax that contains an abrasive is detrimental to the finish, as the compounds scratch the finish and cause corrosion.