

# INSTALLATION INSTRUCTIONS

4424

1996 – 1998 Toyota 4 Runner 4 Dr 2/4 WD

## Parts List :

QTY	( 1 ) Hardware kit including :
( 1 ) Sidebar set ( Driver & Passenger )	( 6 ) 1/2 x 1 1/2" Hex head bolt
( 2 ) Front mounting bracket	( 6 ) 1/2" Flat washer
( 2 ) Rear mounting bracket	( 6 ) 1/2" Lock washer
( 2 ) Auxiliary mounting bracket	( 4 ) 1/2" Hex nut
	( 4 ) 3/8 x 1 1/4" Hex head bolt
	( 4 ) 3/8" Flat washer
	( 4 ) 3/8" Lock washer

## Tools Required :

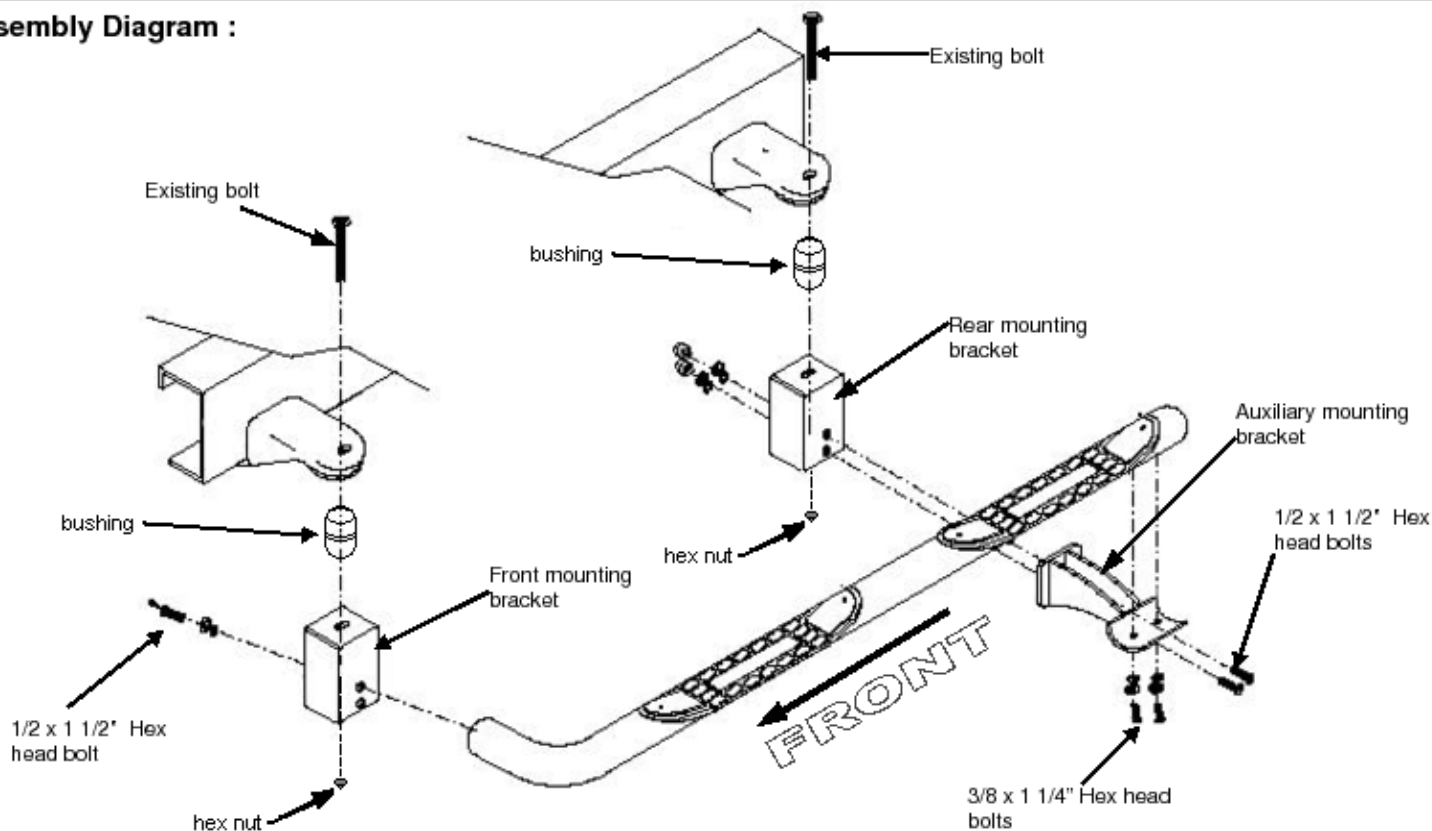
3/4" Socket	9/16" Socket	
3/4" Wrench	9/16" Wrench	Ratchet

## Instructions :

Approximated installation time: 30 min.

1. Read and understand instructions completely before beginning installation.
2. Sidebar set consist of a driver and passenger side. The bent leg goes to front. Be sure to determinate the correct side before installation.
3. Assemble rear mounting bracket and auxiliary mounting bracket using 1/2 x 1 1/2" hex head bolts, flat & lock washers and hex nuts.
4. Remove the hex nuts from the front and rear body mount bolts. Keep all existing washers and bushing in place, and attach the front and rear brackets to the vehicle using the factory nuts. Leave the nuts loose for final adjustment.
5. Place the sidebar up to the mounting brackets and bolt to the front mounting bracket using the 1/2 x 1 1/2" hex head bolt, flat and lock washers. Bolt to the rear mounting bracket using 3/8 x 1 1/4" hex head bolts, flat and lock washers. Leave loose.
6. Make any final adjustments to the alignment of the sidebar and tighten all bolts. Repeat for the opposite side.
7. You may need to periodically re-tighten the bolts.

## Assembly Diagram :



## Cleaning and care instructions :

Protect the finish with a non-abrasive automotive wax, (e.g. Pure Carnauba) on a regular basis. The use of any soap, polish, or wax that contains an abrasive is detrimental to the finish, as the compounds scratch the finish and cause corrosion.