

# INSTALLATION INSTRUCTIONS

**Dakar Sport 52139(1-4) / Dakar 52139(1BB-4BB) / Rhino Charger BB52139(1B-4PS)  
FORD SUPER DUTY & EXCURSION 99-06**

## Parts List :

<b>QTY</b>	( 1 ) Hardware kit including :
( 1 ) Dakar Sport	( 4 ) 3/8 x 1 1/4" Hex head bolts
( 2 ) Mounting brackets ( Driver & Passenger )	( 4 ) 3/8" Flat washers
	( 4 ) 3/8" lock nuts

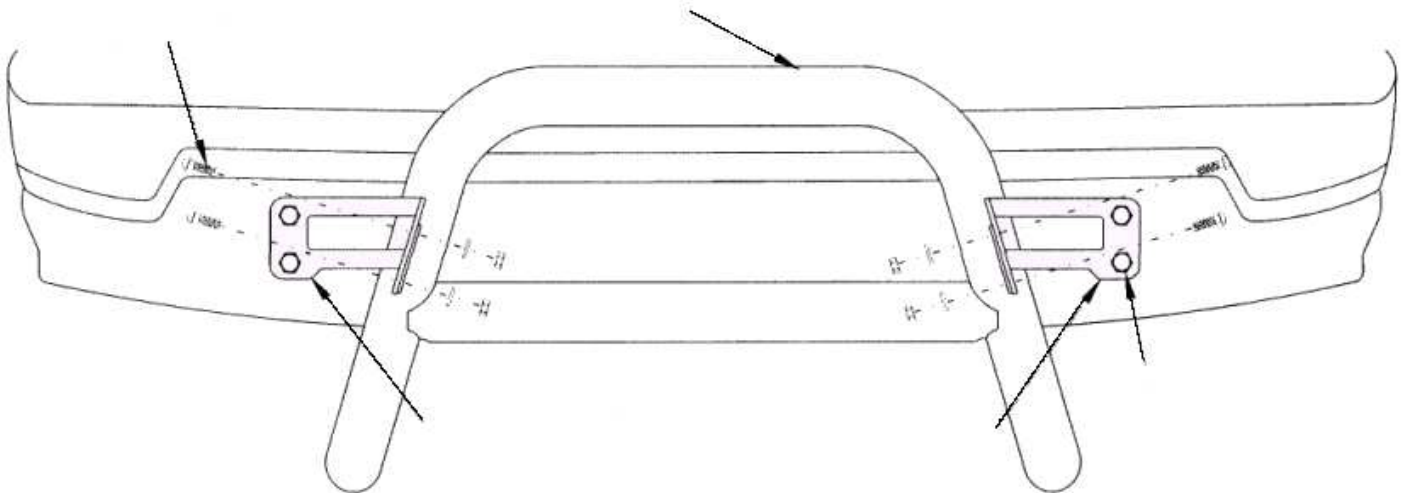
## Tools Required :

9/16" Socket	9/16" Wrench
18 mm Socket	Ratchet

## Instructions :

**Approximated installation time:** 20 min.

1. Read and understand instructions completely before beginning installation.
2. Locate and remove the front four bolts that support the bumper to the vehicle. **Note:** Do not remove the bolts of both sides simultaneously. It may be necessary to hold factory nut plate from the rear of the bumper to keep it in place.
3. Place mounting bracket onto the bumper and reinstall factory bolts. Leave loose. **Note:** No need to remove the tow hooks.
4. Place the Bull nose up to the mounting brackets and bolt them together using 3/8 x 1 1/4" hex head bolts, flat washers and lock nuts. Leave hardware loose.
5. Make any final adjustments to the alignment of the Bull nose and tighten all bolts.
6. You may need to periodically re-tighten the bolts.



## Cleaning and care instructions :

Protect the finish with a non-abrasive automotive wax, (e.g. Pure Carnauba) on a regular basis. The use of any soap, polish, or wax that contains an abrasive is detrimental to the finish, as the compounds scratch the finish and cause corrosion.