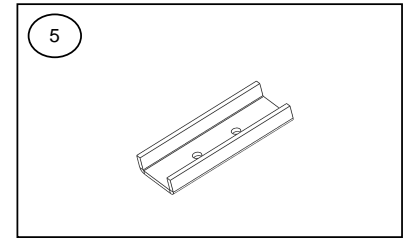
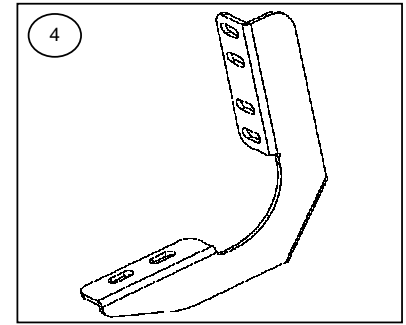


INSTALLATION INSTRUCTIONS
RB10 RUNNING BOARD PART # 63418087T
1999-2015 FORD F-250, F-350, F-450 SUPER DUTY SUPER CREW
Do not attempt to install this product on any vehicle other than the one listed above!

PARTS LIST

ITEM	QTY.	PART #	DESCRIPTION	TORQUE
1	1	630087T	RB10 Running board passenger	-
2	1	630087T	RB10 Running board driver	-
3	1	BRK-6341765	Hardware brackets kit	-
4	6	6341764AA	Bracket	-
5	6	6300874AA	U bracket	-
6	1	KTE-634176	Hardware kit	-
7	12	-	5/16 x 1" Hex head bolt black plated	11 Lb.ft
8	12	-	5/16" Flat washer black plated	-
9	12	-	5/16" Lock washer black plated	-
10	6	-	3/8" Clip nut black plated	30 Lb.ft
11	12	-	3/8 X 1 1/4" Hex head bolt black plated	30 Lb.ft
12	18	-	3/8" Flat washer black plated	-
13	12	-	3/8" Lock washer black plated	-
14	6	-	3/8" Hex nut black plated	30 Lb.ft



ASSEMBLY & INSTALLATION TOOLS REQUIRED:

- 1/2" Socket & 1/2" Wrench
- 9/16" Socket & 9/16" Wrench
- Ratchet
- Extension.

Approximate installation time: 40 min.

Read the assembly and installation instructions completely and verify that all of the parts listed are accounted for. If you have defective, missing or damaged parts or need assistance, please contact Go Rhino Products for fast, friendly customer service at: 1-888-427-4466 or email: warranty@gorhino.com

It is the customer's responsibility to protect the finish with a regular application of a nonabrasive polish compatible with the products finish. **NOTE: LOOK THE POSITION BEFORE INSTALLING THE BRACKETS.**

INSTALLATION

Step-1 Located holes inside the body in vehicle, front, middle, rear, place a clip nut in upper part. **SEE ILLUSTRATION 1 & 2.**

Step-2 Mount bracket and attach with: 3/8 x 1 1/4" hex head bolt, 3/8" flat and lock washers, in lower part attach with: 3/8 x 1 1/4" hex head bolt, 3/8 flat washer, 3/8" lock washer, 3/8" hex nut. **SEE ILLUSTRATION 3.** By each bracket. Leave loose.

PICTURE 1

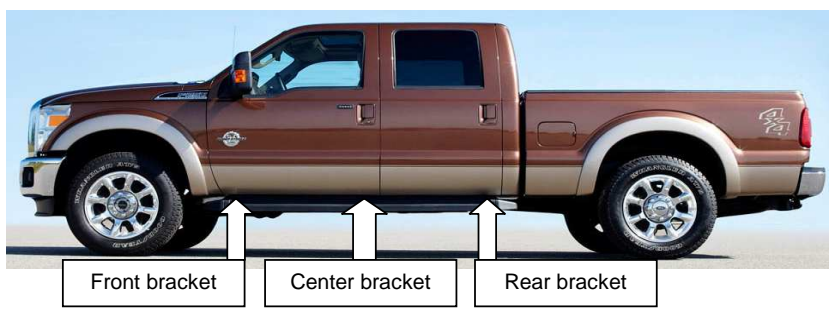
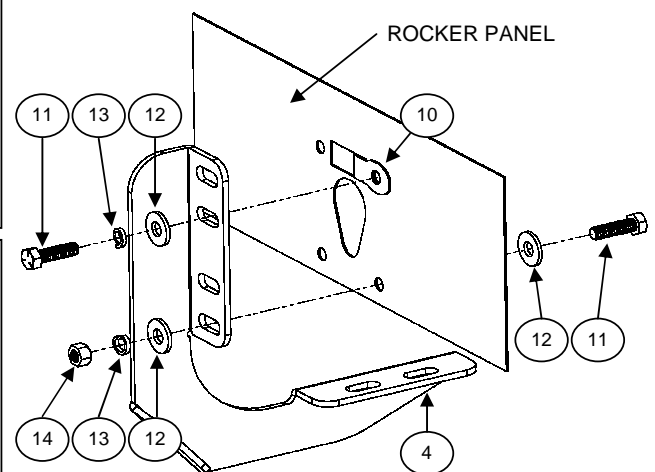


ILLUSTRATION 3

To install the brackets in rocker panel.



Use ratchet & 9/16" hex socket or 9/16" wrench.

ILLUSTRATION 1

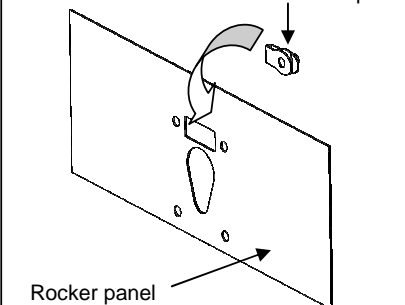
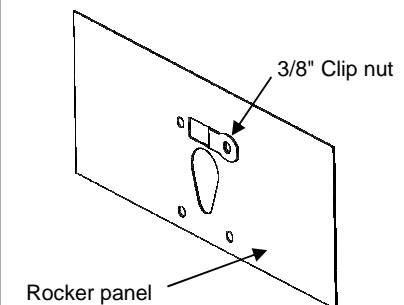
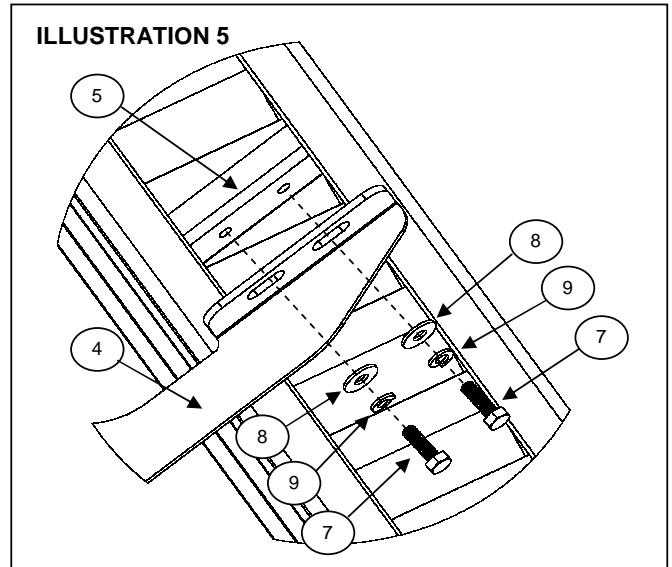
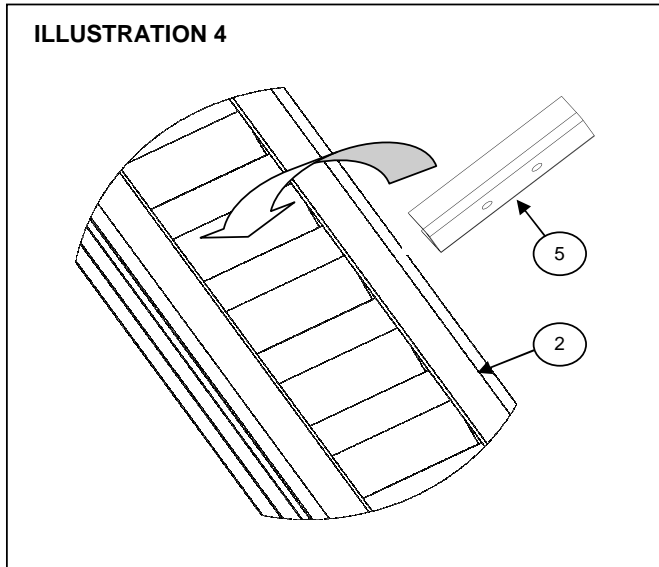


ILLUSTRATION 2



Step-3 Place the U bracket and attach with: 5/16" hex head bolt, 5/16" Flat and lock washer (black plated), by each bracket. **SEE ILLUSTRATION 4 & 5.** Repeat for the opposite side. Leave loose.



Use ratchet & 1/2" hex socket or 1/2" wrench.

Step-4 Align the side bar and then tighten all bolts.

Step-5 Periodically check your product because it may need a re-tighten of bolts.

Step-6 Fill the warranty card and place it inside your vehicle's glove box.