

INSTALLATION INSTRUCTIONS

BRACKET	OVAL SIDE BAR WIDESIDER 4"	WHEEL TO WHEEL WIDESIDER 4"	RUNNING BOARD WIDESIDER 5" & 6"	APPLICATION	MODEL
390765	394076	-	39080	GMC SIERRA / SILVERADO EXT. CAB.	99 - 06 & 2011
	64044	-	680080	GMC SIERRA / SILVERADO EXT. CAB.	99 - 06 & 2011

Parts List:

ITEM	QTY	CODE	DESCRIPTION	TORQUE MAX.
1	1	391014AA	Front mounting bracket set	-
2	1	390764CA	Middle mounting bracket set	-
3	1	390764AA	Rear mounting bracket set	-
4	2	391014FA	Front and middle auxiliary bracket set	-
5	1	390764BA	Rear auxiliary bracket set	-
6	6	3713312	5/16" bolt plate	11 Lb-Ft
	1	KTE-391015	Hardware kit including:	
7	12	-	5/16" Square head bolt	11 Lb-Ft
8	18	-	5/16" Flat washer	-
9	18	-	5/16" Lock washer	-
10	18	-	5/16" hex nut	11 Lb-Ft
11	6	-	M12 x 120mm Hex head bolt	70 Lb-Ft
12	6	-	1/2" Flat washer	-
13	6	-	1/2" Lock washer	-
14	6	-	3/8 x 1" Carriage head bolt	30 Lb-Ft
15	6	-	3/8" Flat washer	-
16	6	-	3/8" Lock washer	-
17	6	-	3/8" Hex nut	30 Lb-Ft
NOTE: 394076(9-8-6-0) / 64044(B-C-PS-SB) INCLUDES:				
18	1	-	Oval 4" Widesider bar set	

Tools required not including:

DESCRIPTION	QTY
Socket hex 18mm-19mm -9/16" - 1/2"	1
17mm Double hex socket (12 point) or 15mm Wrench	1
Ratchet	1
Extension ratchet	1

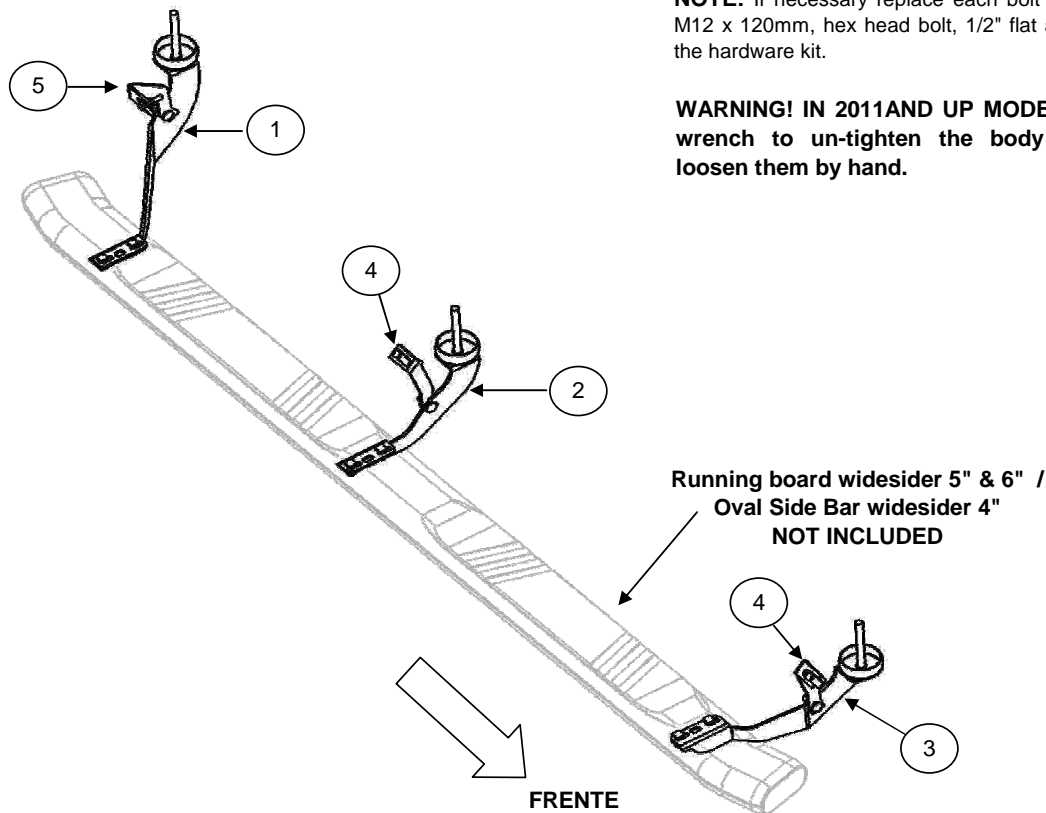
ILLUSTRATION 1.

Approximated installation time: 40 min.

Instructions:

1. Before beginning the installation read all instructions thoroughly and verify that all hardware is accounted for. If there are any listed parts missing, please notify your distributor immediately.

ILLUSTRATION 2.



NOTE: If necessary replace each bolt that holds the body mount by: M12 x 120mm, hex head bolt, 1/2" flat and lock washers, including in the hardware kit.

WARNING! IN 2011 AND UP MODELS. Do not use an impact wrench to un-tighten the body mounting bolts! Always loosen them by hand.

Illustration passenger side.

Cleaning and care instructions:

Protect the finish with a non-abrasive automotive wax, (e.g. Pure Carnauba) on a regular basis. The use of any soap, polish, or wax that contains an abrasive is detrimental to the finish, as the compounds scratch the finish and cause corrosion.

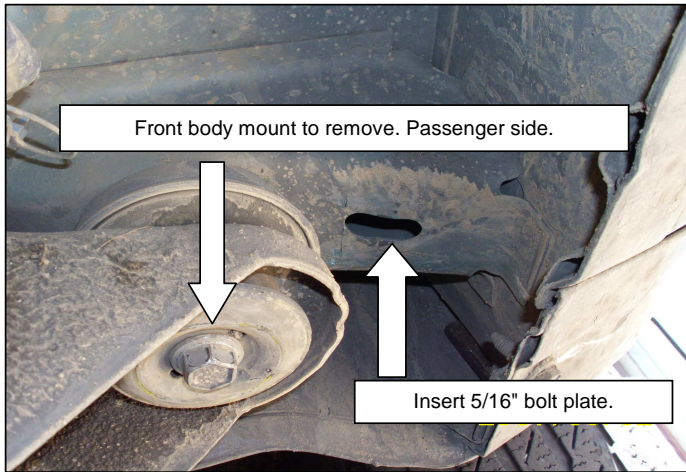
Design:

Quality:

INSTALLATION INSTRUCTIONS

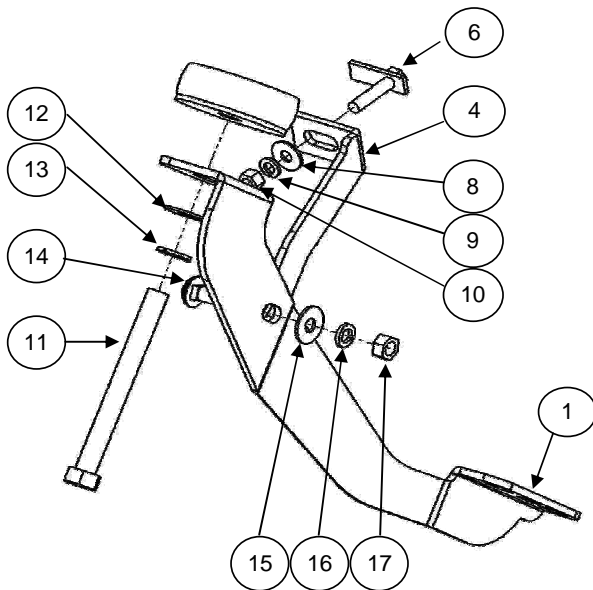
2. Locate and remove the body mount in the front part. **SEE PICTURE 1.**

PICTURE 1.



3. Install the front bracket and attach with bolts before removed. Locates the hole that is in the rocker panel of the vehicle and inserts 5/16" bolt plate. Mounts the front auxiliary bracket and attach with: 5/16" flat and lock washers, 5/16" hex nut. In the other side of the bracket attach with the front bracket: 3/8 x 1" carriage head bolt, 3/8" flat and lock washers, 3/8" hex nut. **SEE PICTURE 1, ILLUSTRATION 3.** Leave loose.

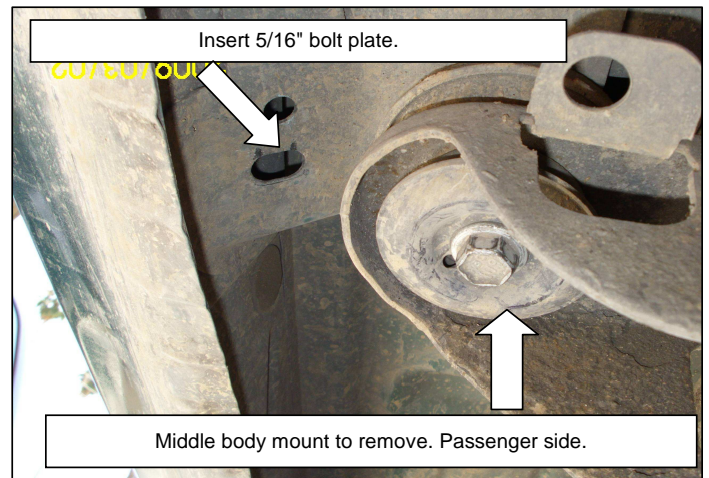
ILLUSTRATION 3.



Use ratchet & 18mm - 19mm - 9/16" - 1/2" hex socket.
Remove the bolt OEM with: ratchet & 18mm hex socket.

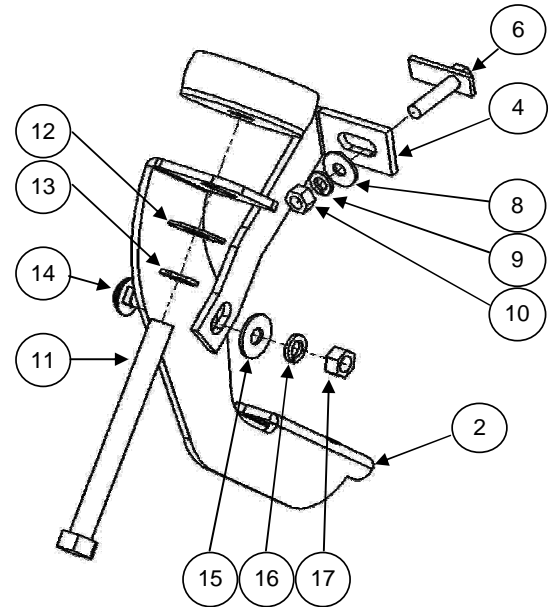
4. Locate and remove the body mount in the middle part. **SEE PICTURE 2.**

PICTURE 2.



5. Install the middle bracket and attach with bolts before removed. Locates the hole that is in the rocker panel of the vehicle and inserts 5/16" bolt plate. Mounts the middle auxiliary bracket and attach with: 5/16" flat and lock washers, 5/16" hex nut. In the other side of the bracket attach with the middle bracket: 3/8 x 1" carriage head bolt, 3/8" flat and lock washers, 3/8" hex nut. **SEE PICTURE 2, ILLUSTRATION 4.** Leave loose.

ILLUSTRATION 4.



Use ratchet & 18mm - 19mm - 9/16" - 1/2" hex socket.
Remove the bolt OEM with: ratchet & 18mm hex socket.

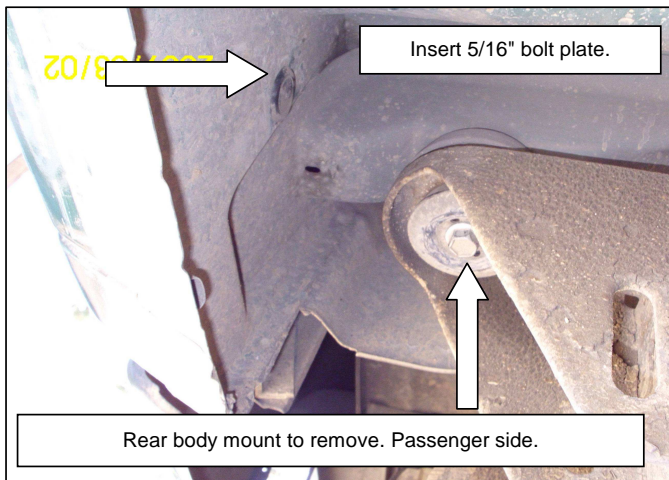
6. Locate and remove the body mount in the rear part. **SEE PICTURE 3.**

Cleaning and care instructions:

Protect the finish with a non-abrasive automotive wax, (e.g. Pure Carnauba) on a regular basis. The use of any soap, polish, or wax that contains an abrasive is detrimental to the finish, as the compounds scratch the finish and cause corrosion.

INSTALLATION INSTRUCTIONS

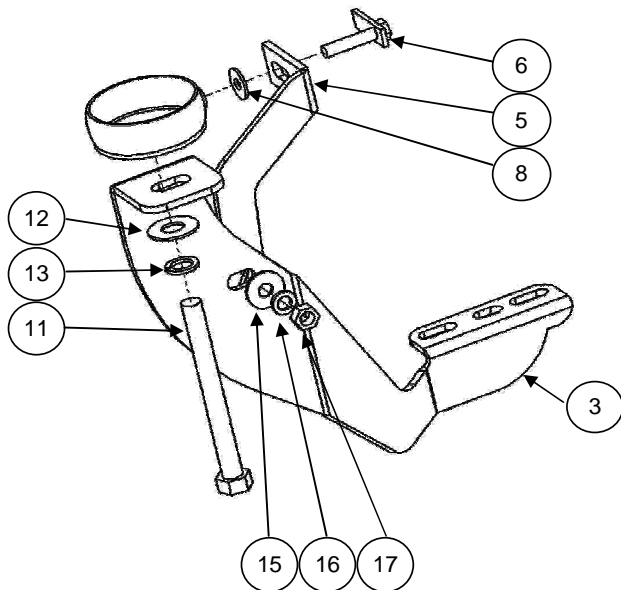
PICTURE 3.



7. Install the middle bracket and attach with bolts before removed. Locates to the rubber plug that is in the rocker panel of the vehicle, remove and insert 5/16" bolt plate.

Mounts the rear auxiliary bracket and attach with: 5/16" flat and lock washers, 5/16" hex nut. In the other side of the bracket attach with the rear bracket: 3/8 x 1" carriage head bolt, 3/8" flat and lock washers, 3/8" hex nut. **SEE PICTURE 3, ILLUSTRATION 5.** Leave loose.

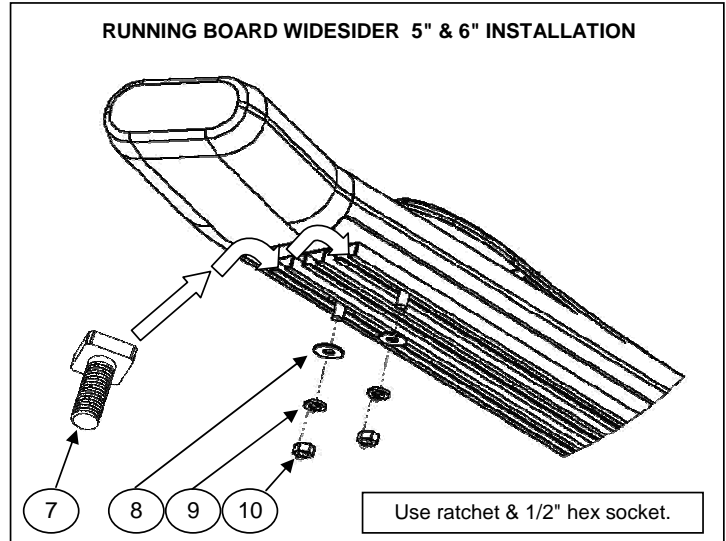
ILLUSTRATION 5.



Use ratchet & 18mm - 19mm - 9/16" - 1/2" hex socket.
Remove the bolt OEM with: ratchet & 18mm hex socket.

8. If you acquired a Running board widesider 5" & 6", insert 5/16" square head bolt on rail, place on brackets and attach with: 5/16" Flat and lock washer, 5/16" hex nut. **SEE ILLUSTRATION 6.** Repeat for the opposite side. Leave loose.
Note 2: If the front and rear bracket does not agree totally with the aluminum structure, rotate so they're inside the aluminum structure and tighten.

ILLUSTRATION 6



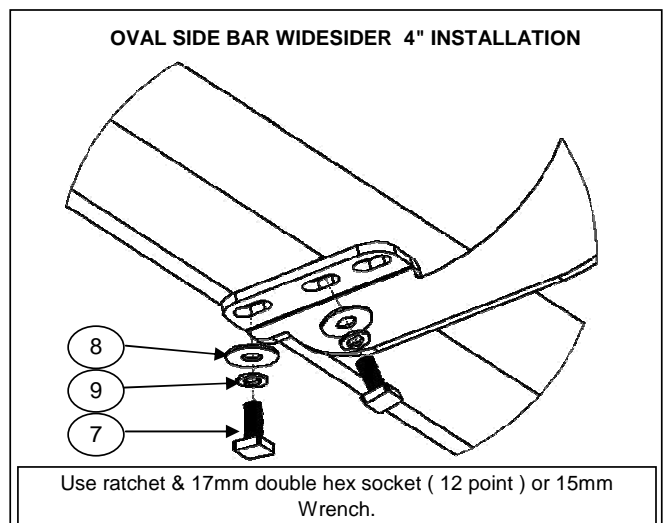
9. If you acquired a Oval side bar widesider 4", place on brackets and attach with: 5/16" square head bolt, 5/16" Flat and lock washer. **SEE ILLUSTRATION 7.** Repeat for the opposite side. Leave loose.

10. Align Running board widesider 5" & 6" or Oval side bar widesider 4" and then tighten all bolts.

11. Periodically check your product because it may need a re-tighten of bolts.

12. Fill the warranty card and place it inside your vehicle's glove box.

ILLUSTRATION 7



Cleaning and care instructions:

Protect the finish with a non-abrasive automotive wax, (e.g. Pure Carnauba) on a regular basis. The use of any soap, polish, or wax that contains an abrasive is detrimental to the finish, as the compounds scratch the finish and cause corrosion.

Design:

Quality: