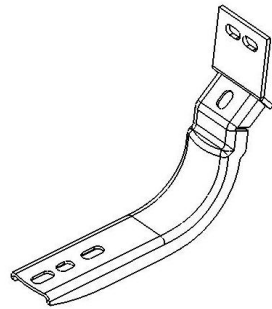


INSTALLATION INSTRUCTIONS

BRACKET	OVAL SIDE BAR WIDESIDER 4"	WHEEL TO WHEEL	RUNNING BOARD WIDESIDER 5" & 6"	APPLICATION	MODEL
6843515	64351 - 67351	-	39087	NISSAN TITAN CREW CAB.	04 - 12
	64353 - 67353	-	39080	NISSAN TITAN EXT. CAB.	04 - 12

Parts List:		CODE	DESCRIPTION	TORQUE MAX.
1	6	390594AA	Main brackets pc	-
KTE-390595 Hardware kit including:				
2	12	-	5/16" Square head bolt	11 Lb.ft
3	24	-	5/16" Flat washer	-
4	24	-	5/16" Lock washer	-
5	12	-	5/16" Hex nut	11 Lb.ft
6	6	-	M8 x 30mm Hex head bolt	11 Lb.ft
7	6	-	M8 hex nut	11 Lb.ft
NOTE: 394058(9-66) / 394059(9-66) INCLUDES:				
8	1	-	Oval 4" Widesider bar set	-

Tools required not including:	
DESCRIPTION	QTY
13mm Socket / Wrench	1
Ratchet	1
Extension ratchet	1



Instructions:

- Before beginning the installation read all instructions thoroughly and verify that all hardware is accounted for. If there are any listed parts missing, please notify your distributor immediately.
- Locate in the rocker panel the existing bolts and the threaded holes covered with a plastic plugs (remove the plastic plugs). See Picture 1.
- Place mounting bracket as shown, secure to the threaded hole using (1) M8 x 30mm hex head bolt and 5/16" flat and lock washer and to the existing bolt with (1) 5/16" lock and flat washer and (1) M8 hex nut. Leave loose. See Diagram 1. Repeat the same procedure for each bracket.

Approximated installation time: 30 min.

PICTURE 1

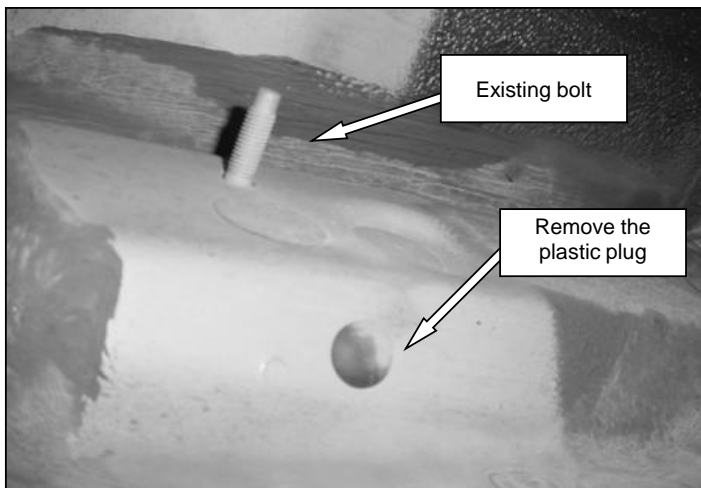
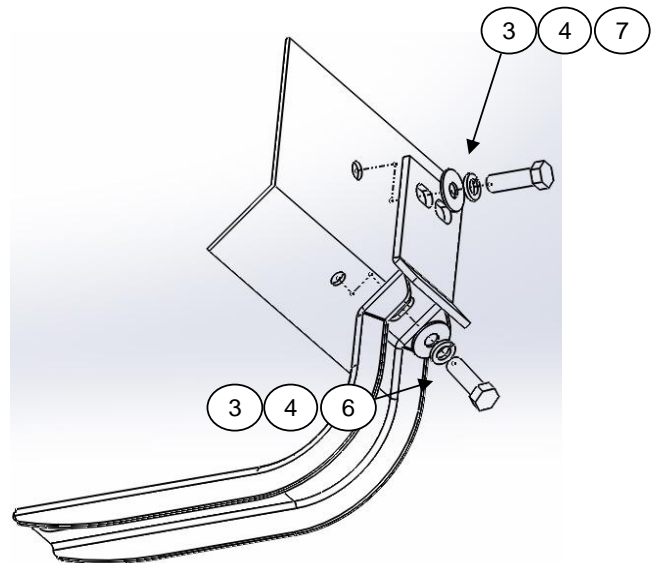


DIAGRAM 1



Cleaning and care instructions:

Design:

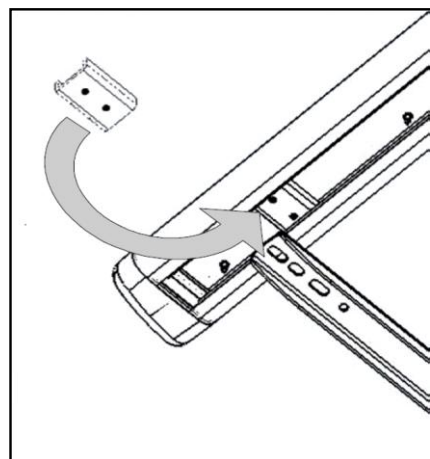
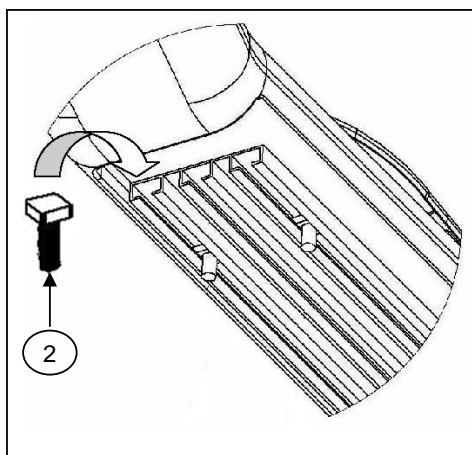
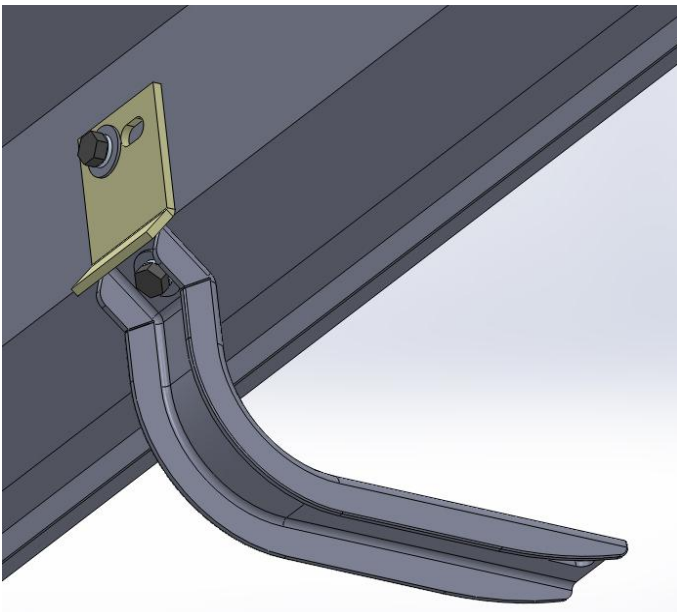
Quality:

Protect the finish with a non-abrasive automotive wax, (e.g. Pure Carnauba) on a regular basis. The use of any soap, polish, or wax that contains an abrasive is detrimental to the finish, as the compounds scratch the finish and cause corrosion.

INSTALLATION INSTRUCTIONS

4. Install Running board, first insert 5/16" square head bolt on rail, place on brackets aligns and attach with: (2) 5/16" Flat and lock washer, (2) 5/16" hex nut. **See illustration 1 or 2 depending on which product you acquired.** Repeat for each bracket. Leave loose.
5. Align, and then get tighten all bolts. Repeat the steps to install the opposite side.
6. Do not use abrasive substances to clean your product.
7. Periodically check your product because it may need a re-tighten of bolts.
8. Fill the warranty card and place it inside your vehicle's glove box.

PICTURE 2



Cleaning and care instructions:

Design:

Quality:

Protect the finish with a non-abrasive automotive wax, (e.g. Pure Carnauba) on a regular basis. The use of any soap, polish, or wax that contains an abrasive is detrimental to the finish, as the compounds scratch the finish and cause corrosion.

Revised 17/02/12