

INSTALATION INSTRUCTIONS

BRACKET

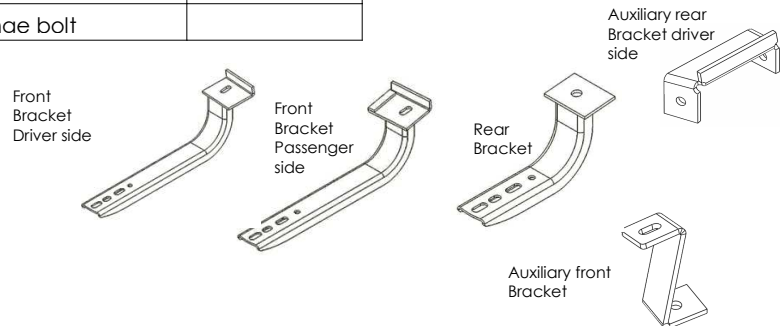
TOYOTA RAV4
2013

6844095

Parts List				
Item	QTY	Code	Description	Max Torque
1	1 pcs	392860AA	Front Bracket Driver side	
2	1 pcs	392860BA	Front Bracket Passenaer side	
3	2 pcs	392860CA	Rear Bracket	
4	2 pcs	392864AA	Auxiliary front bracket	
5	1 set	392864BA	Auxiliary rear bracket	
6	2 pcs	392860EA	1/2" bolt plate	
7	4 pcs	392860DA	5/16" bolt plate	
8	1 pcs	502040E	3/8" round bar bolt	
9	2 pcs		1/2" flat washer	
10	2 pcs		1/2" lock washer	
11	2 pcs		1/2" hex nut	70 Lbs Ft
12	4 pcs		5/16" flat washer Z.P.	
13	4 pcs		5/16" lock washer Z.P.	
14	4 pcs		5/16" hex nut Z.P.	20 Lbs Ft
15	1 pcs		3/8" flat washer	
16	1 pcs		3/8" lock washer	
17	1 pcs		3/8" hex nut	36 Lbs Ft
18	4 pcs		5/16 x 1" hex bolt	
19	8 pcs		5/16" square head	13 Lbs Ft
20	12 pcs		5/16" flat washer	
21	12 pcs		5/16" lock washer	
22	4 pcs		5/16" hex nut	13 Lbs Ft
23	1 pcs		3/8" bolt guide	
24	1 pcs		M8 x 25mm Flange bolt	

Required Tool:

- A. Ratchet w/5" extension
- B. 9/16" Wrench or Socket
- C. 1/2" Wrench & socket
- D. 13mm & 10mm Socket
- E. 3/4" Wrench or socket
- F. Flat screwdriver
- G. Utility knife
- H. 15mm wrench or 17mm 12-point socket



1. Before beginning the installation read all instructions thoroughly and verify that all hardware is accounted for. if there are any listed parts missing, please notify your distributor immediately.

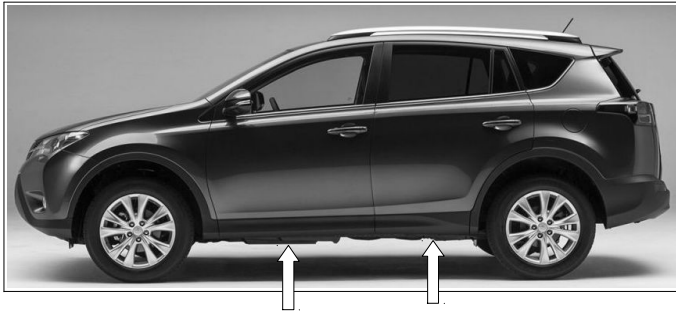
2. To maintain and care this product keep it clean and do not use abrasive cleaners or polish waxes. It is recommended to use only non-abrasive automotive wax such as pure carnauba to avoid scratches and rust.

3. The approximate installation time is **45 min.**

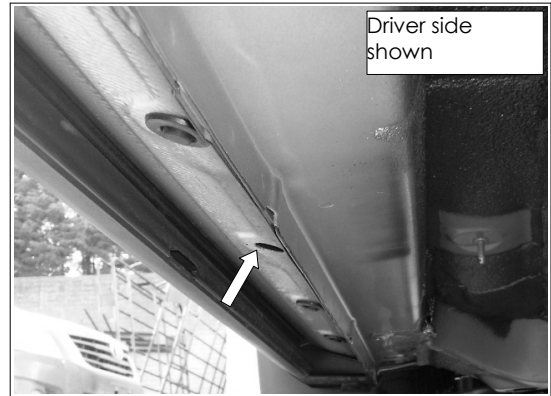
4.- Locate underneath the vehicle at front and rear of the rocker panel the bracket's fixation points. Picture 1.

5. Beginning with the driver side. To install the auxiliary front bracket locate the existing covered holes at the rocker panel. Remove the third rubber plug from front to rear of the vehicle to expose the hole. **See Picture 2.** Insert (1) 5/16" bolt plate into the hole of the rocker panel then place the auxiliary front bracket and secure to the 5/16" bolt plate using (1) flat washer Z.P., (1) lock washer Z. P. And (1) 5/16" Z.P. hex nut. Leave loose.

Picture 1



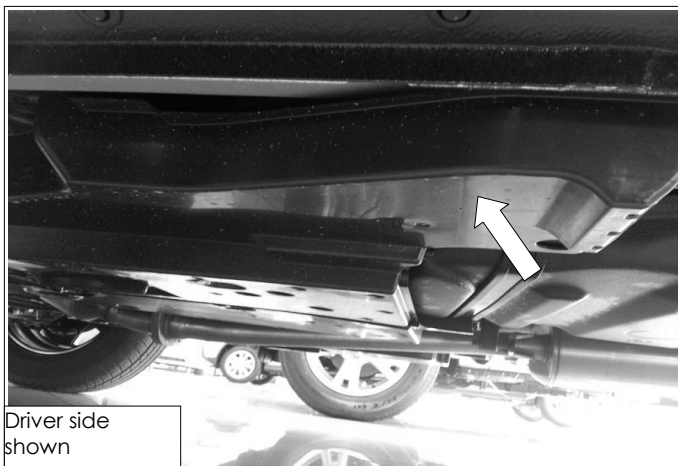
Picture 2



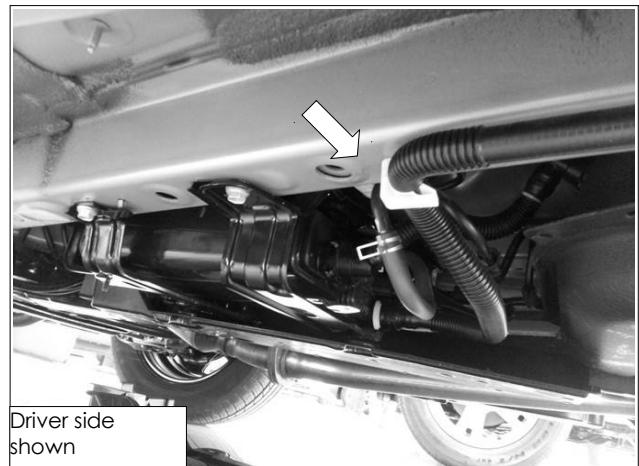
6. To install the front bracket on the driver's side, remove the plastic shroud by removing the plastic pins, nut and the screws holding it. **(See Picture 3).** **NOTE:** This installation requires cutting the plastic shroud.

7. Remove the plastic clip that holds the hose shown in Picture 4.

Picture 3



Picture 4



8. Position the front bracket to the rail driver and secure to the threaded hole where the clip was removed previously , using (1) M8x 20 flange bolt. Do not tighten yet. **(see Picture 5)**

9. Overlap the plastic shroud in its place then scribe the area to cut where the front bracket should extending out through. Proceed to cut the plastic shroud. Remove the front bracket. Pass through the plastic shroud the driver front bracket (Figure 1), hand tighten the front bracket to the rail and verify that you can reinstall the plastic shroud, otherwise make the necessary adjustments to the plastic

shroud that allow to reinstall it. **Do not reinstall the plastic shroud yet.** Insert the pin that holds the hose to the front bracket tab. **(see Picture 6).**

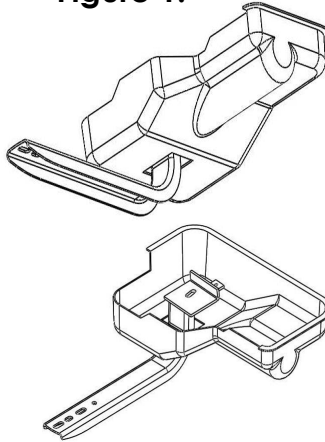
NOTE: The plastic shroud was removed from the vehicle for photo purposes.

10. Attach the other end of the auxiliary front bracket to the driver's front bracket with (1) hex bolt 5/16 x 1", (1) flat washer, (1) lock washer (1) hex nut 5/16". Do not tighten.

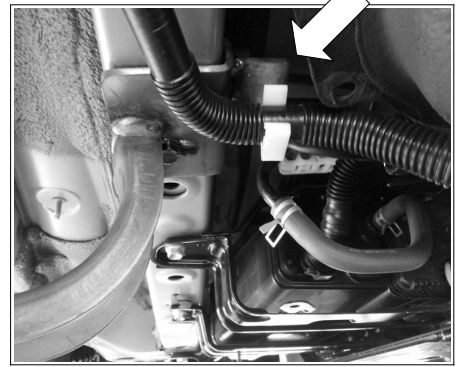
Picture 5



Figure 1.



Picture 6



11. To install the auxiliary rear bracket locate the existing covered holes at the rocker panel. Remove the second rubber plug from rear to front of the vehicle to expose the hole. **(See picture 7).** Insert (1) 5/16" bolt plate into the hole of the rocker panel then place the auxiliary rear bracket and secure to the 5/16" bolt plate using (1) flat washer Z.P., (1) lock washer Z. P. And (1) 5/16" Z.P. hex nut. Leave loose. **(See Picture 8)** Repeat the same procedure to install the passenger side.

Picture 7



Picture 8

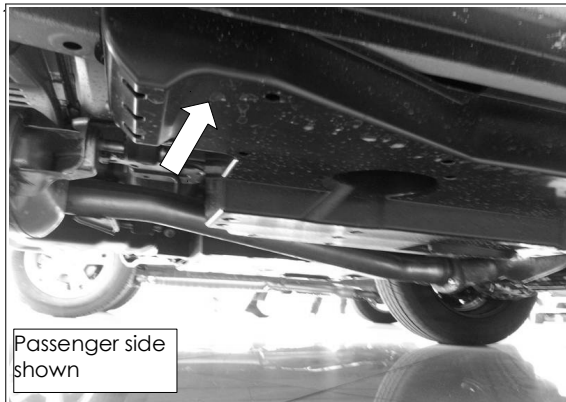


12. To install the rear bracket, locate the existing obround in the rear of the rocker panel **(see picture 7)** and insert a 1/2" bolt plate. Attach the rear bracket to the 1/2" bolt plate using (1) flat washer, (1) lock washer and (1) hex nut 1/2". Attach the other end of the auxiliary rear bracket to the rear bracket with (1) hex bolt 5/16 x 1", (1) flat washer, (1) lock washer and (1) hex nut 5/16". **(See picture 8).** Do not tighten. Repeat this procedure to install the passenger side.

13. Continue with the passenger side. Remove the plastic shroud by removing the plastic pins, nut and bolts that hold it. **(See Picture 9).** **NOTE:** This installation requires cutting the plastic shroud.

14. Install the auxiliary front bracket at the passenger side following the indications in the step 5 (see **Picture 10**).

Picture 9

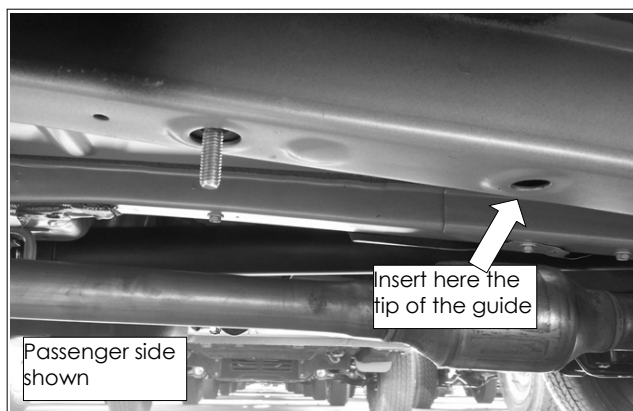


Picture 10

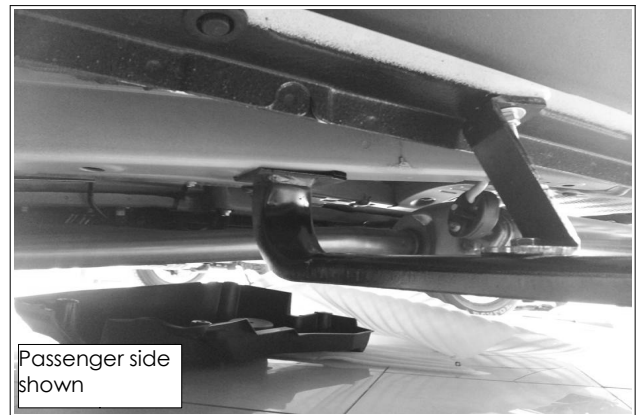


15. To install the passenger's front bracket, locate in the rail two existing holes, one of them is covered with a rubber plug, remove it. Thread the 3/8" bolt guide to the 3/8" round bar bolt then insert the tip of the guide into the hole shown in picture 10 until tip appears through the other hole. Pull the bolt guide until the threads of the bolt extends out through the rail. Picture 11.

Picture 11



Picture 12



16. Place the passenger front bracket and secure to the 3/8" round bar bolt using (1) flat washer, (1) lock washer and (1) 3/8" hex nut. Do not tighten.

17. Overlap the plastic shroud in its place then scribe the area to cut where the front bracket should extending out through. Proceed to cut the plastic shroud. Remove the front bracket. Pass through the plastic shroud the passenger front bracket (Figure 1), hand tighten the front bracket to the 3/8" round bar bolt and verify that you can reinstall the plastic shroud, otherwise make the necessary adjustments to the plastic shroud that allow to reinstall it. **Do not reinstall the plastic shroud yet.**

18. Attach the other end of the auxiliary front bracket to the passenger front bracket (See Picture 12) with (1) hex bolt 5/16 x 1", (1) flat washer, (1) lock washer and (1) hex nut 5/16 ". Do not tighten.

19. Place the widesider on top of the mounting brackets. Position (2) of the U-brackets (included with the widesider) inside the widesider body, and align the U-brackets with the mounting brackets using the two holes nearest to the tip. Attach the widesider to the U-brackets to each mounting brackets using (2) 5/16" square head bolts, (2) 5/16" flat washers and (2) 5/16" lock washers. Do not tighten yet.

NOTE: To install the "U" bracket insert it into the body of the widesider bracket and make sure they match the holes with the two obround closer to the tip of the bracket. Figure 2.

20. Make any adjustment to the alignment of the widesider, and tighten all bolts starting with the brackets to the vehicle and then the brackets to the widesider.

21. Reinstall the plastic shourds.

Figure 2

