

INSTALLATION INSTRUCTIONS

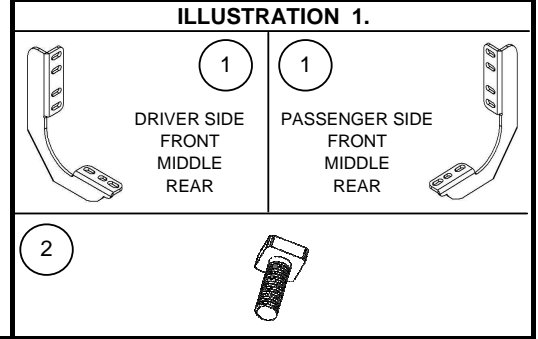
BRACKET	WIDESIDER BAR 4"	WTW 4"	RUNNING BOARD 5" & 6"	APPLICATION	MODEL
390305	394030	-	39087	FORD SUPER DUTY CREW CAB.	99 - 10
	394032	-	39080	FORD SUPER DUTY EXT. CAB.	99 - 10
	-	394330	-	FORD SUPER DUTY CREW CAB. 6'	99 - 10
	-	394332	-	FORD SUPER DUTY EXT. CAB. 6'	99 - 10
	64180	-	680087	FORD SUPER DUTY CREW CAB.	99 - 10
	64176	-	680080	FORD SUPER DUTY EXT. CAB.	99 - 10

Parts List:

ITEM	QTY	CODE	DESCRIPTION	MAX. TORQUE
1	3	390304BB	Brackets set	-
			KTE-390305 Hardware kit includes:	
2	12	-	5/16" Box head bolt	11 lb.ft
3	12	-	5/16" Flat washer	-
4	12	-	5/16" Lock washer	-
5	12	-	5/16" Hex nut	11 lb.ft
6	8	-	3/8 x 1 1/4" Hex head bolt	30 lb.ft
7	6	-	3/8" Flat washer	-
8	12	-	3/8" Lock washer	-
9	12	-	3/8" Hex nut	30 lb.ft
10	12	-	3/8" Clip nut	30 lb.ft
11	1	-	Oval 4" Widesider bar set	-

Tools required not including:

DESCRIPTION	QTY
Socket / wrench 1/2"	1
Socket / wrench 9/16"	1
Socket 17mm / Wrench 15mm	1
Ratchet	1
Extension ratchet	1



NOTA: 394030(9-8-6-0) / 394032(9-8-6-0) / 394330(9-6) / 394332(9-6) / 64180(B-C-PS-SB) / 64176(B-C-PS-SB) ADEMÁS:

Instructions:

Approximated installation time: 30 min.

1. Before beginning the installation read all instructions thoroughly and verify that all hardware is accounted for. If there are any listed parts missing, please notify your distributor immediately.

ILLUSTRATION 2.

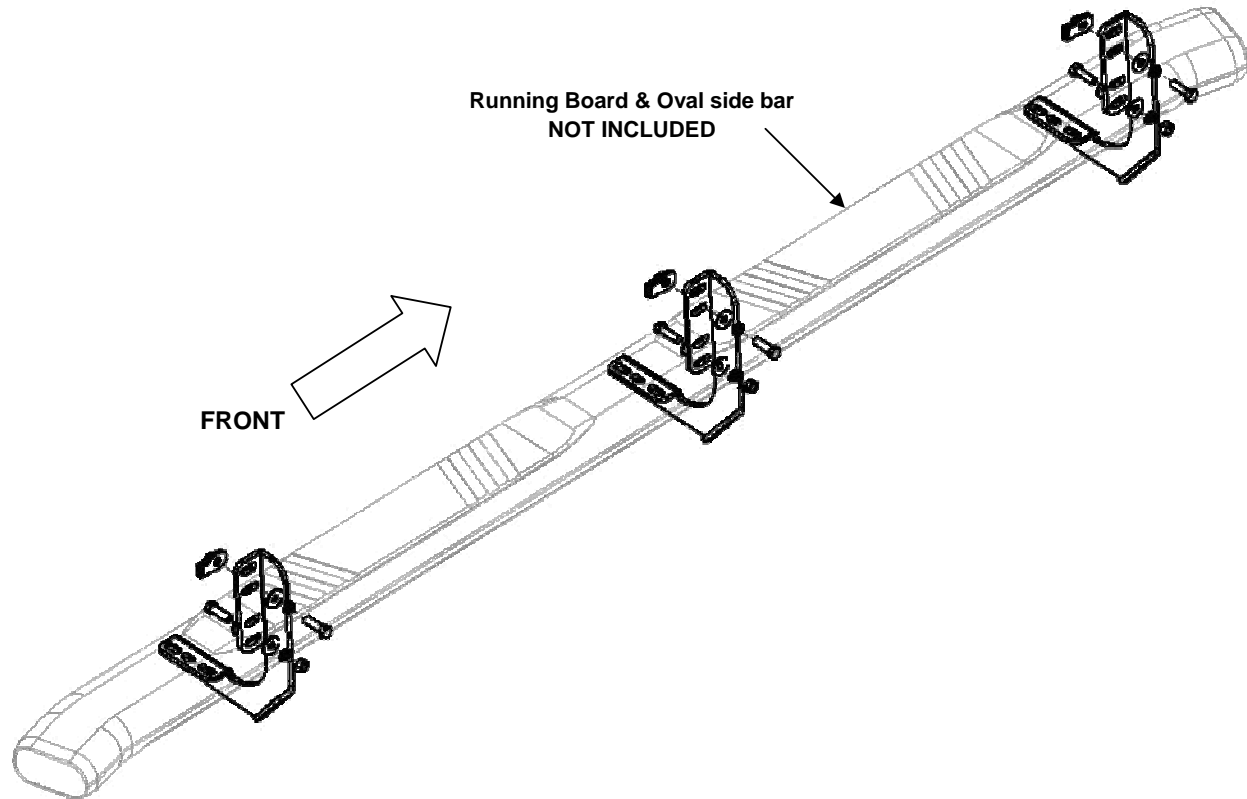


Illustration driver side.

Cleaning and care instructions: Protect the finish with a non-abrasive automotive wax, (e.g. Pure Carnauba) on a regular basis. The use of any soap, polish, or wax that contains an abrasive is detrimental to the finish, as the compounds scratch the finish and cause corrosion.

Design:

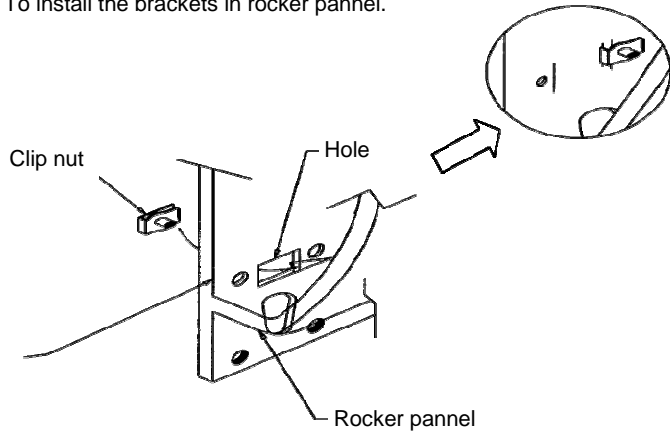
Quality:

INSTALLATION INSTRUCTIONS

2. Located holes inside the body in vehicle, front, middle, rear, place a clip nut in upper part. **See illustration 3.**

ILLUSTRATION 3.

To install the brackets in rocker panel.



3. Mount bracket and attach with: (1) 3/8 x 1 1/4" hex head bolt, (1) 3/8" flat and lock washers, in lower part attach with: (1) 3/8 x 1 1/4" hex head bolt, (2) 3/8 flat washer, (1) 3/8" lock washer, (1) 3/8" hex nut. **See illustration 4.** By each bracket. Leave loose.

ILLUSTRATION 4.

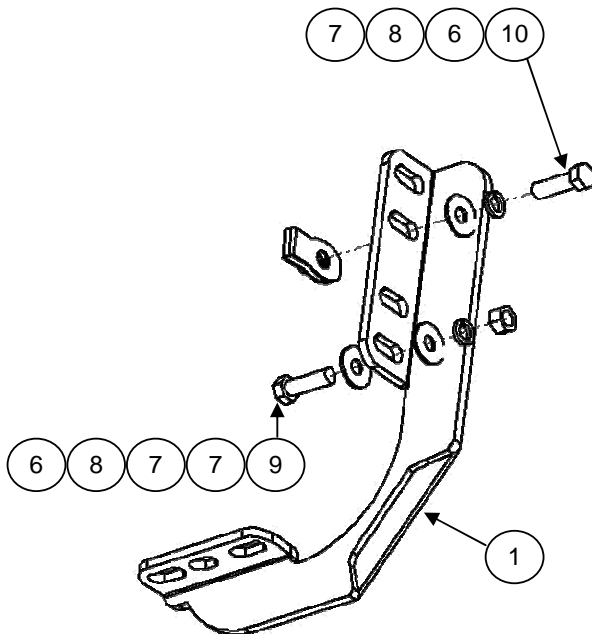
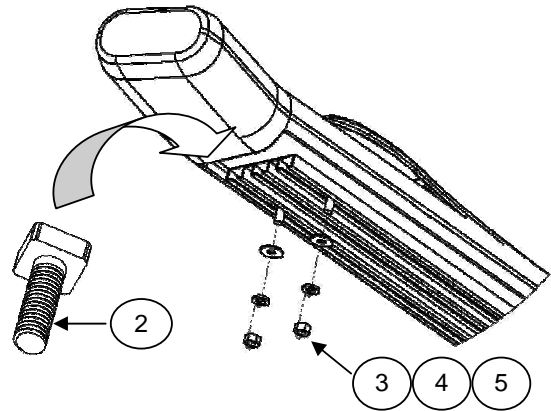


Illustration to front, middle and rear part. Driver side.

4. For Installation Running Board 5" & 6", inserting (3) square head bolt within each lateral rail of the side bar. **See illustration 5.** Mounts the side bar on brackets, aligns and attach with: (2) 5/16" flat and lock washers, (2) 5/16" hex. nut. Repeats for bracket each. Leave loose.

ILLUSTRACION 5.



5. For installation oval side bar 4". **See illustration 6.**

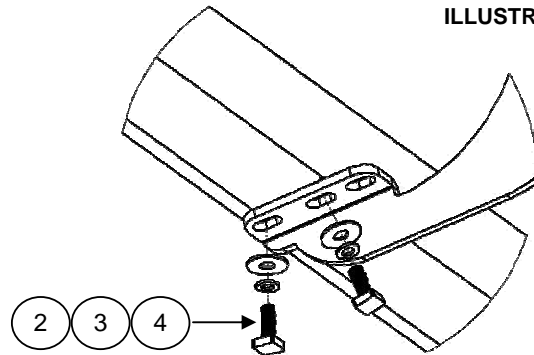
6. Align Side bar, and then get tighten all bolts. It repeats to install the opposite side (Passenger).

7. Do not use abrasive substances to clean your product.

8. Periodically check your product because it may need a re-tighten of bolts.

9. Fill the warranty card and place it inside your vehicle's glove box.

ILLUSTRACION 6.



Cleaning and care instructions:

Protect the finish with a non-abrasive automotive wax, (e.g. Pure Carnauba) on a regular basis. The use of any soap, polish, or wax that contains an abrasive is detrimental to the finish, as the compounds scratch the finish and cause corrosion.

Revised 26/04/10

Design:

Quality: