



Technology with Vision

K-LED 50 LED BEACON FIXED MOUNT



OPERATION

RED: To +VDC

BLACK: To Chassis Ground (-)

YELLOW: Flash patterns & Synchronization

Connect YELLOW wires of all heads together for synchronization

All heads must be set at the same pattern

Momentarily apply +VDC to YELLOW wire:

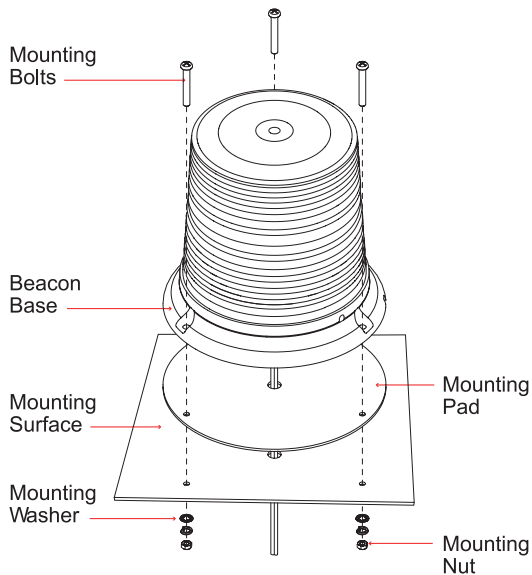
- once for next pattern
- quickly 3 times for reset

Note: Make sure to cover all unused bare wires.

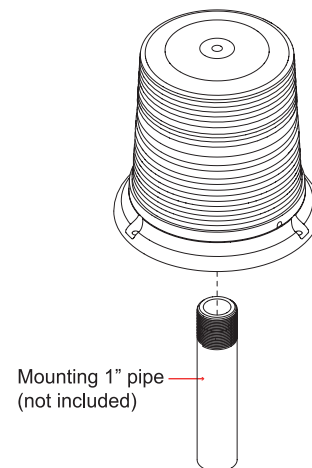
Flash Pattern #	Flash Patterns
1	Double (2Hz)
2	Single (2Hz)
3	Quad (2Hz)
4	Single
5	Double
6	Quad
7	Quint
8	Mega
9	Ultra
10	Single-Quad
11	Single H/L
12	Steady

Note: This unit may not be factory set at Flash Pattern #1.

3 Bolt Mount



1" Pipe Mount





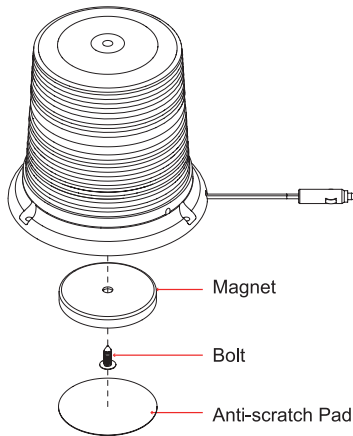
Technology with Vision

K-LED 50 LED BEACON TEMPORARY MOUNT



FLASH PATTERN CHANGE

Magnetic Mount



1. Open Beacon

Twist dome counter-clockwise **B**, then lift dome to open.

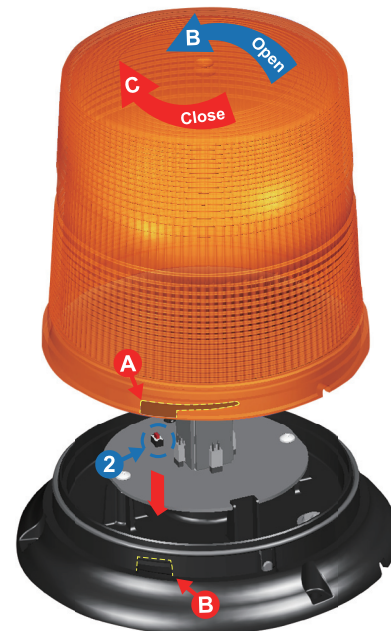
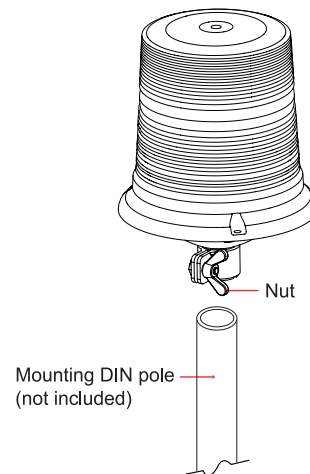
2. Change Pattern

Momentarily push red button **2**, to change to next flash pattern. (see flash pattern chart)

3. Close Beacon

Align dome indent **A** with the base **B**, then twist clockwise **C** to close.

DIN Mount



WARNING: It is not recommended to use magnetically mounted warning devices on the outside of vehicles in motion. Usage is at the sole risk and responsibility of the user.