



INSTALLATION INSTRUCTIONS

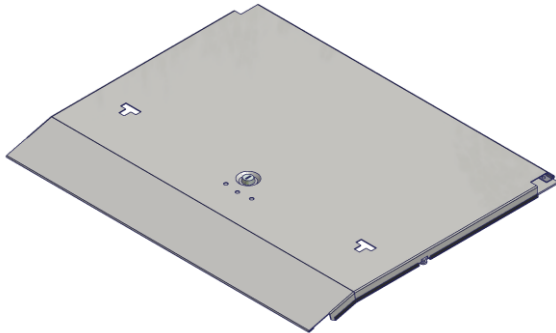
2019+ JL In-floor Storage Security Lid #358

Fill out the enclosed warranty card or register online at tuffyproducts.com/warrantyreg.aspx

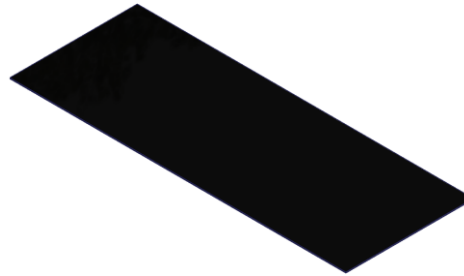
QC CHECK

- ____ SHIP PACK CONTENTS
- ____ VISUAL INSPECTION
- ____ RUBBER BUMPERS
- ____ LOCK FUNCTION TEST
- ____ SHIPPING/KEY PACK

PARTS CHECKLIST

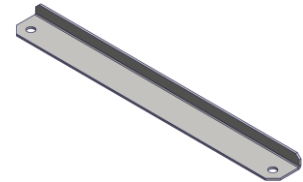


Security Lid #358



29" x 11" Carpet

SHIPPING PACKAGE CONTENTS (PLACED IN KEY BAG)



#2.1 358BRKT



#2.2 10-32 x 0.188" Screw

Tools needed for standard installation:

- Philips Head Screwdriver
- 10mm Wrench

PLEASE READ ALL INSTRUCTIONS THOROUGHLY BEFORE STARTING INSTALLATION.

1. Lift the OEM carpet lid and pull forward until it comes loose then lift the board up. If it does not lift easily, push it back slightly and try again, it may be caught on the plastic tabs.
2. Remove the plastic cover from the tool storage and set aside in case you want to remove the 358 in the future.
3. Remove the (4) OEM hex head bolts around the plastic cubby and set inside the cubby for later use. **FIGURE 1**

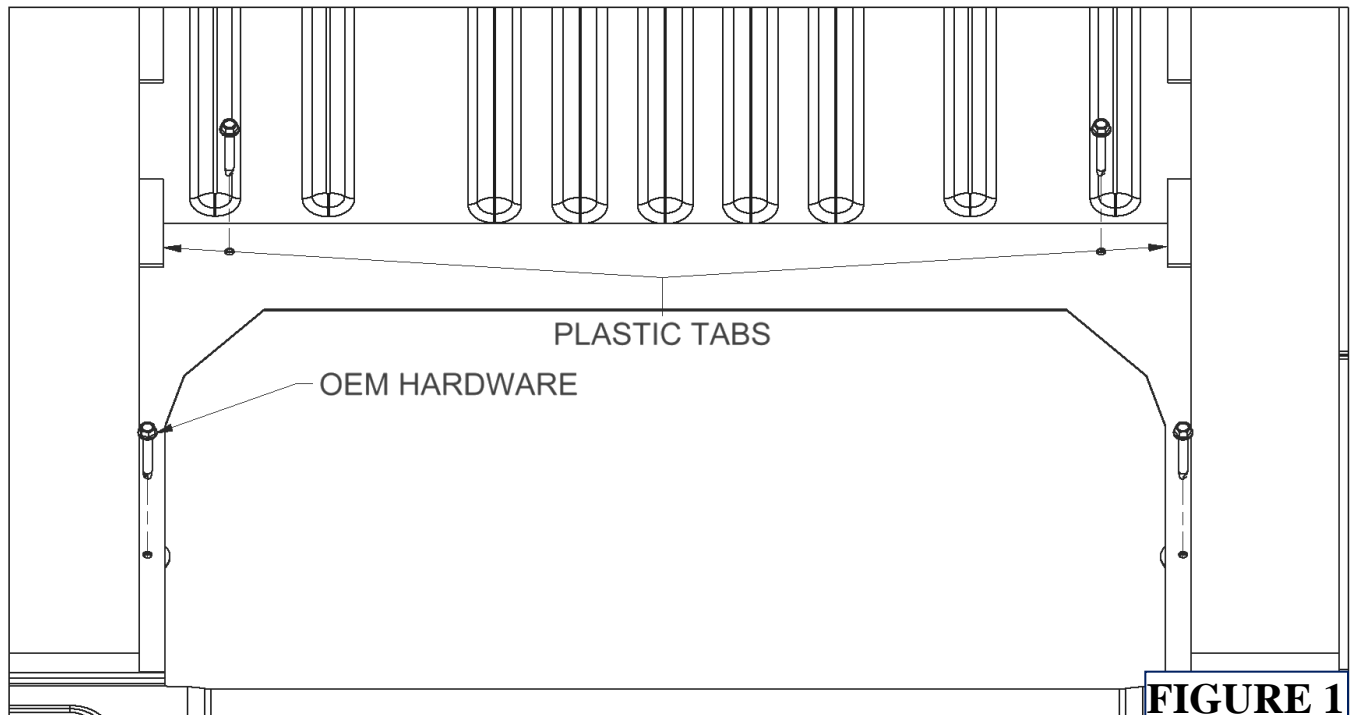


FIGURE 1

4. Remove #2.2 screws and #2.1 358BRKT from front lip and set inside the cubby.
5. Place the 358 on the bed, with the flanges over the rim of the storage bin and slide it back so that the back corners of the 358 are under the plastic tabs.
6. Open the 358 and line up the holes in the frame with the holes in the bed where you removed the hex bolts. Insert and tighten the OEM hex head bolts.
7. Hold the #2.1 358BRKT over the front flange, line up the holes, and insert the #2.2 Screws. Make sure the bottom edge catches the bottom of the factory lip. **FIGURE 2**
8. Place carpet in the empty bed space behind the 358.

