

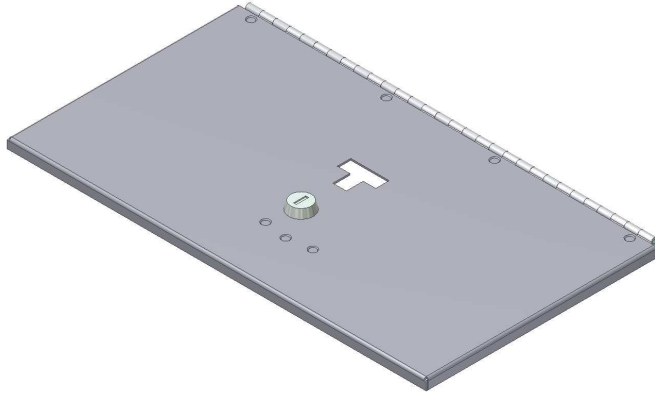


INSTALLATION INSTRUCTIONS

2009-2018 Ram In-floor Storage Security Lid #311

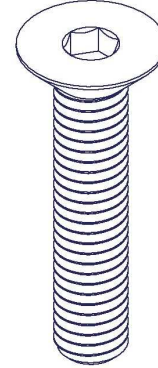
Fill out the enclosed warranty card or register online
at tuffyprompts.com/warrantyreg.aspx

PARTS CHECKLIST



Security Lid #311

SHIPPING PACKAGE CONTENTS



#5.3.1 (4) 6mm x 30mm Flathead Screw

Tools needed for standard installation:

- Torx T-30 Wrench/Socket
- 4mm Hex Wrench/Socket

PLEASE READ ALL INSTRUCTIONS THOROUGHLY BEFORE STARTING INSTALLATION.

1. Pull back the carpet panel that covers the footwell area of the rear seat to reveal the OEM plastic storage lid.
2. Open the OEM storage lid and remove the OEM plastic liner.
3. Using the T-30 Torx wrench, remove the (4) OEM mount bolts located at the corners of the OEM plastic mount plate.
4. Remove the OEM lid, and set aside with the OEM mount bolts for future use(if you plan to return the vehicle to stock).
5. Re-insert the OEM plastic liner into the storage area.
6. Open the #311 Security Lid and place the mount plate over the storage compartment opening. (SEE FIGURE 1)
7. Insert the (4) #5.3.1 6mm Flathead Screws from the shipping package, through the holes in the 1/8" thick #311 mount plate and into the factory mounting holes. (SEE FIGURE 1)
8. Align the opening in the #311 mount plate with the OEM plastic liner, so that the visible portion of the OEM liner is even all the way around the opening.
9. Using a 4mm hex wrench tighten the (4) #5.3.1 Flathead Screws to approx. 5 ft-lbs, ensuring that the #311 mount plate rests evenly on the top of the OEM liner.

NOTE: Due to the integral lock bracket, the #311 Security Lid must be completely removed in order to remove the OEM plastic liner for cleaning, etc.

NOTE: To maximize secure storage space the #311 Security lid may be installed without the OEM plastic liner.

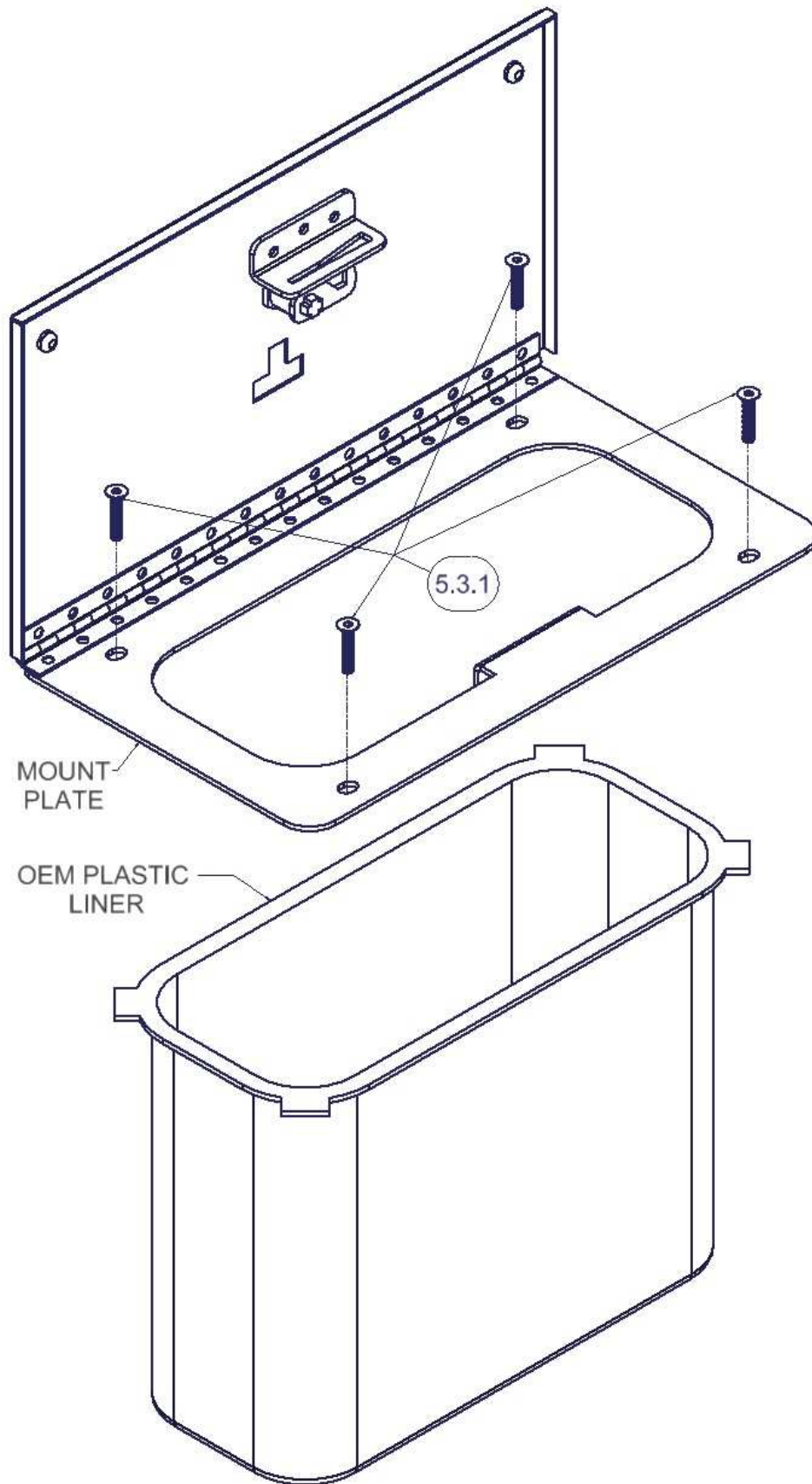


FIGURE 1