



INSTALLATION INSTRUCTIONS

TJ & LJ Conceal Carry Security Drawer #248

(Fits vehicles where the driver's side seat does not flip all the way up. These vehicles **DO NOT HAVE** the CAFS code on the Jeep build sheet = "Easy Access Driver Tip & Slide Seat" or "Easy Access Driver Seat")

Please read and fill out the enclosed warranty registration card to activate your warranty.

PARTS CHECKLIST



Enclosure



Drawer



#5 Front mount



#4 Rear mount



#8.13 - (4) 10-32 x 1/2" Screw



#8.15 - (4) #10 Nut



#8.14 - (4) #10 Washer

TOOLS NEEDED

- 1/2" Socket and Ratchet
- T-50 Torx socket or wrench
- 1/8" Allen wrench
- 3/8" Wrench
- Flat head screwdriver

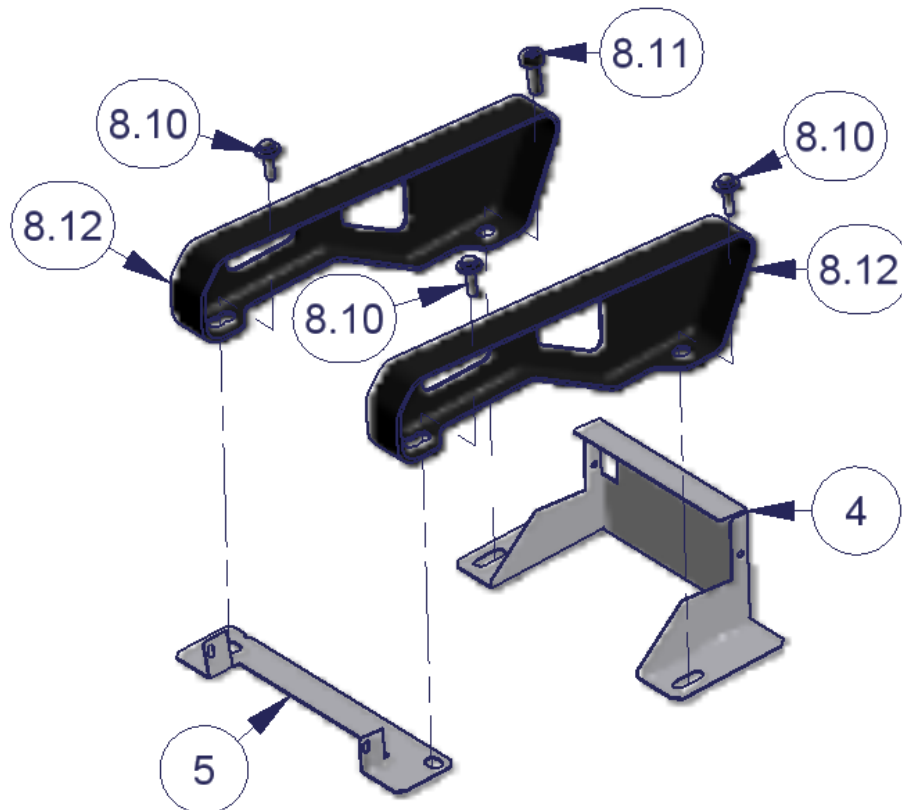
PLEASE READ ALL INSTRUCTIONS THOROUGHLY BEFORE STARTING INSTALLATION.

Warning! Do not operate the vehicle without the drawer locked shut. If left unlocked normal vehicle movements while driving could cause the drawer to open creating an unsafe situation. As a result from maximizing the drawer storage height in TJs 1997-2002 the seat (forward & aft) re-position lever is very close to the top of the enclosure and can create a pinch point so use caution in adjusting the seat position.

Note: The original seat mounting brackets shown in the illustrations are representative of TJs 2003-2006, earlier models will look different. To remove the drawer from the enclosure, pull the drawer out as far as it can go then locate the small black plastic stops visible on the ball bearing drawer slides. One of the black stops will need to be deactivated by pressing down and the other one pulled up. Be careful not to break plastic stops. While deactivating the stops push the center slide section back into the drawer enclosure off of the front slide section attached to the drawer until they are separated. To reinstall, line up the slide sections and push the drawer in gently, do not force it or it can be damaged.

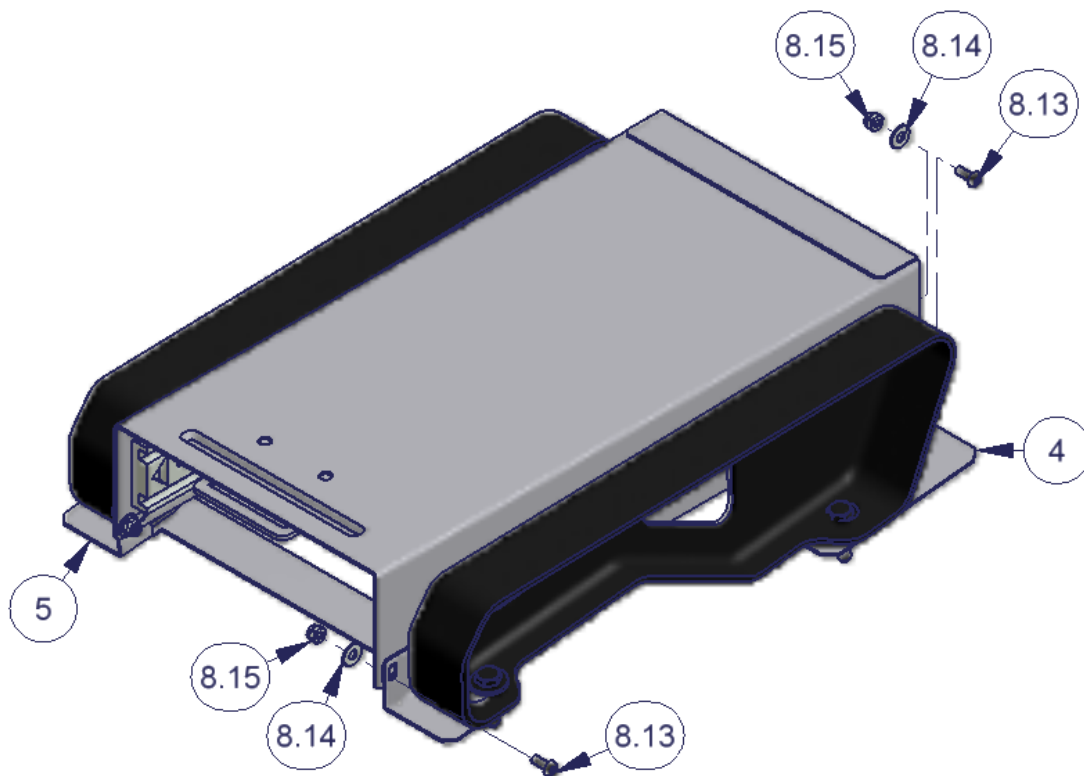
1. Use a flat head screwdriver to pop the clamp holding the cable connected to the bottom of the seat out of the hole in the vehicle floor below the driver's side seat.
2. Remove the original front seat (2) front mounting bolts #8.10 holding the front of the Drivers side seat to the body. (See Figure 1)
3. Insert the #5 front mount under the original seat bracket #8.12 (See Figure 1)
4. Insert the (2) original front seat front mounting bolts #8.10 but do not tighten them all the way. (See Figure 1)
5. Remove the (2) original front seat rear mounting bolts #8.10 & #8.11 holding the rear of the Drivers side seat to the body. (See Figure 1)
6. Insert the #4 rear mount under the original seat bracket #8.12 (See Figure 1)
7. Insert the (2) original front seat rear mounting bolts #8.10 & #8.11 but do not tighten them all the way. (See Figure 1)

Figure 1



8. Insert the enclosure under the seat and line up the holes with the mounting bracket holes. The enclosure should go between the flanges on the #5 front bracket and on the outside of the sides on #4 rear bracket and under the top flange on #4 rear bracket. (See Figure 2)
9. After making sure that #4 & #5 mounting brackets are positioned so that their mounting holes will line up with the ones on the enclosure tighten the original #8.10 front left seat mounting bolt and the original #8.10 rear left seat mounting bolt. In TJs 1997-2002 proceed to the next step, these bolts are not accessible while the enclosure is in place. (See Figure 1)
10. Remove the enclosure then tighten all the original seat mounting bolts #8.10 & #8.11. (See Figure 1)
11. Re-insert the enclosure under the seat and line up the holes with the mounting bracket holes. The enclosure should go between the flanges on the #5 front bracket and on the outside of the sides on #4 rear bracket and under the top flange on #4 rear bracket. (See Figure 2)
12. Fasten the enclosure to both the #5 front bracket and #4 rear bracket with #8.13 screws, #8.14 washers and #8.15 nuts.
13. Insert the drawer into the enclosure. The first time there will be some resistance but if it feels like the slide is hitting something more solid this may be a sign that the enclosure needs to be raised to clear the carpet. To raise the drawer loosen the (2) front #8.13 screws and maneuver the enclosure upwards in the obounded holes then attempt to insert the drawer into the enclosure again.

Figure 2



Call (970)564-1762 for Technical Support