



# INSTALLATION INSTRUCTIONS

## 303 PORTABLE SAFE

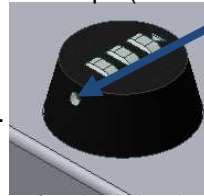
Call (970) 564-1762 for Technical Support

### Instructions for setting personal combination & installing the lanyard

**Attention:** The combination lock is shipped from the factory set with the code >0-0-0< and will need to be reset by the end user.

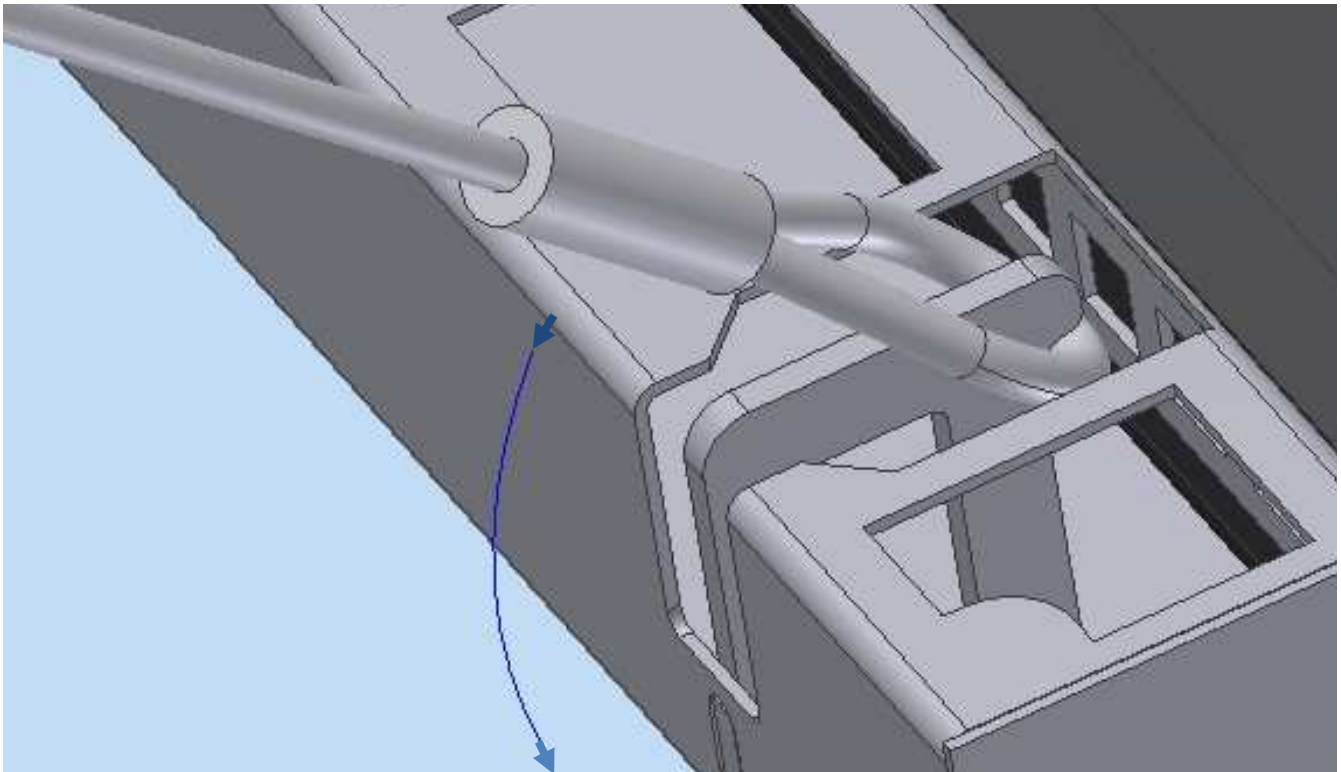
#### Setting personal combination

1. The combination must be set to the current open number prior to resetting (Factory setting is >0-0-0<)
2. On the outer edge of the knob there is a hole that houses the code reset pin(See Photo Inset). Rotate the knob until the code reset pin comes into view.
3. Push the code reset pin in with a paperclip and hold it in.
4. Set personal combination by turning dials to desired combination.
5. Release the reset pin and your combination is set.
6. To lock, rotate knob to "locked" position. Rotate one or more dials after lock is closed. To open lock, turn dials to personal combination, and rotate knob.



#### Installing the lanyard into the Locker

1. Insert the loop end of the lanyard into the front section of the box at a 45deg angle between the post and rear flange.(See Below). Hooking the loop under the bulge in the post.



2. Rotate lanyard down over the post.
3. Repeat steps 1 & 2 with other end of lanyard if required.
4. Close and latch lid to secure lanyard in position.