

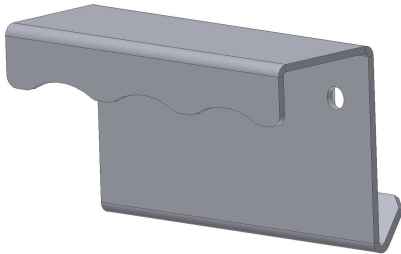


INSTALLATION INSTRUCTIONS

#282-BTL-01 OR #286-BTL-01
For use with OEM or aftermarket soft-top tailgate bar
Call (970) 564-1762 for Technical Support

Please read and fill out the enclosed warranty registration card to activate your warranty.

PARTS CHECKLIST



#1 Lever (Qty 2)

TOOLS NEEDED

- None

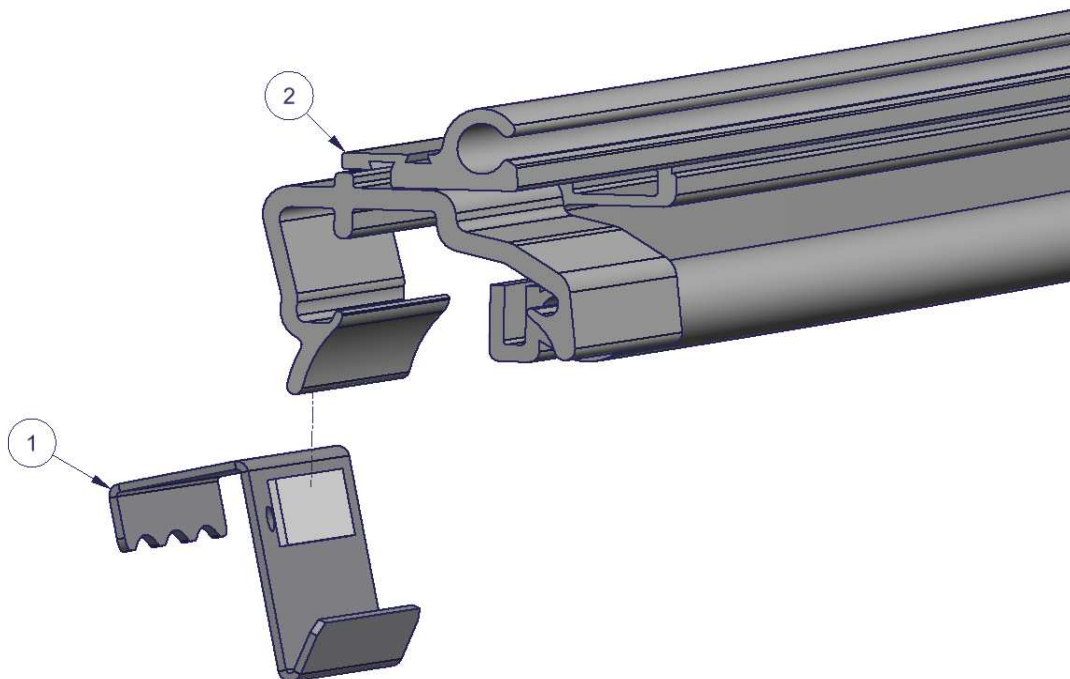
ATTENTION:

- **THIS ENCLOSURE WAS DESIGNED FOR A STOCK OEM VEHICLE WITH A SOFTTOP.**

PLEASE READ ALL INSTRUCTIONS THOROUGHLY BEFORE STARTING INSTALLATION.

1. The #1 Lever is supplied with double sided tape applied to the lever side. Peel the adhesive backing off of the tape. Install the #1 Lever to the #2 Softtop tailgate bar with the lever side toward the bar. The handle side of the #1 Lever will be facing toward the front of the vehicle. Rotate the #1 Lever towards the #2 bar and press firmly to ensure tape adheres. **To operate, grip the Lever Handle and twist upward to un-clip bar clips.**
2. OPTIONAL: If fastening with screws, hold the #1 Lever to the #2 bar, mark and drill for the mounting holes and fasten with #8 Flat head Phillips screws with nuts (not supplied). Install the screws from inside the #2 bar clips.

FIGURE 1



Call (970)564-1762 for Technical Support