



EZ-RIDE™ SUSPENSION

**5.5" SUSPENSION SYSTEM
1998-1999 DODGE DURANGO**

(Front End)

RUFFĒĪ FĪ

**WARNING: TUFF COUNTRY EZ-RIDE SUSPENSION
HIGHLY RECOMMENDS THAT A CERTIFIED
MECHANIC PERFORMS THIS INSTALLATION**

Part #35934/Dodge Durango

Parts List:

Qty.	Description	Part No.
1	Rear Cross Member	DD5I-01
1	Front Cross Member	DD5I-02
2	Upper Control Arm Drop Brackets	DD5I-03
2	Lower Control Arm Drop Brackets-Rear	DD5I-04
2	Lower Control Arm Drop Brackets-Front	DD5I-05
1	Emergency Brake Cable Extensions	DD5I-06
1	Differential Drop Bracket/Rear-Pass. Side	DD5I-11
1	Differential Drop Bracket/Front-Pass. Side	DD5I-12
1	Differential Drop Bracket/Rear-Driver Side	DD5I-13
1	Differential Drop Bracket/Middle-Driver Side	DD5I-14
1	Differential Drop Bracket/ Front Driver Side	DD5I-15
1	Differential Kicker Support/Driver Side	DD5I-16
1	Differential Kicker Support/Pass Side	DD5I-17
1	Steering Assist	DD5I-18
2	Upper Control Arm Rear Support Brackets	DD5I-19
1	Lateral Compression Arm Mount Plate	DD5I-20
1	Steering Center Link	DD5I-21
2	Lateral Compression Arms	DD5I-22
4	Brake Line Relocating Brackets	BLR07
1	Upper Cross Member- Rear	DD5I-24
2	Torsion Bar Drop Plates-Cast Iron	DD5I-25
2	Upper Control Arm Front Support Bracket	DD5I-27
2	Rear Sway Bar Drop Brackets	F405
4	Lateral Compression Mounts	LATLOOP-01
4	9/16" x 2 9/16" x 11 5/8" Square U-bolts	5U-247S
1	U-bolt Nut and Washer Pack	916NW
1	Hardware Box	DD5I-NB123
1	Poly Bushing Pack	DD5IPL
1	Sleeve Pack	DD5ISL
4	Bump Stops	PB6199
2	Sert Fittings	SERT
1	Differential Fill Plug	DD5I-29
1	Instruction Sheet	35934-INST

Congratulations on your selection to purchase a Tuff Country Suspension System. We at Tuff Country are proud to offer a high quality product at the industries most competitive pricing. Thank you for your confidence in us and our product.

***Important Notes:** Please read before beginning installation. OEM Manual should be used as a reference.

Important Notice; Due to the rotation of the front differential on this installation, the differential cover plate must be modified. See installation step #10 for details. If this modification is not performed properly, severe damage will occur to the rear tail shaft bearing.

TUFF COUNTRY SUSPENSION highly recommends a qualified and/or certified mechanic performs this installation.

Check off parts list to be sure all parts are on hand. If any parts are missing, please contact us at (800) 288-2190.

Read and understand all sections of instruction manual.

Use locktite on all bolts associated with this installation.

Recommended tire size, 33" x 12.5" x 15" or 285\75-16
Recommended wheel size 16 x 8 Medium offset

Front End Installation

1. Safely lift the vehicle by placing a jack stand under the frame rails.
2. Remove wheels and tires, then remove the differential skid plate.
3. Measure exposed threads on torsion bar adjustment and record for later use.

Record measurement here: _____

Warning

Do not install a body lift with this suspension system. If a body lift is installed, warranty will be void. For all parts, please refer to the Parts Description Pages, at the end of the installation manual.

Warning

If you desire to return vehicle to stock height, save all stock components.

4. Remove the torsion bar adjuster bolt making sure to keep hands clear. **Warning: This is a free floating torsion bar and carries extreme tension.** Once adjuster bolt has been removed, removed the stock torsion bar adjuster arm and set aside. This part will not be reinstalled. Repeat procedure on opposite side

5. Mark both torsion bar before removal so that they can be reinstalled back in the same position as removed. i.e front and rear torsion bar and driver side, passenger side of torsion bar. Tap torsion bars forward until they can be removed.

6. Slide the torsion bars out of the lower control arm and set aside for later reinstallation.

7. Remove front shocks. Next remove the brake line bracket from the front brackets on the driver side and passenger side making sure not to kink or bend.

8. Remove front sway bar and set aside for later reinstallation.

9. Using the tie rod separating tool, remove the tie rod ends from the steering knuckle. Next, remove tie rod assembly from the stock center link for later reinstallation. Remove steering linkage from the idler arm and pitman arm and save hardware. **Note: Be careful not to tear the boots on the idler arm and pitman arm.** Save steering linkage and tie rod end. New steering linkage will be used; stock tie rod ends will be reinstalled in a later step.

10. Drain front differential and remove differential cover. **Note: Make certain that the differential is completely drained.** Next, locate the stock differential cover fill plug. Measure from the center of the fill plug directly up 1 3/4" and scribe a mark. Now drill one 3/4" hole. Make sure to clean and clear any metal shavings. Set a newly modified differential cover plate aside for later reinstallation.

Warning: Due to the rotation of the front differential during this installation, modification of the differential cover is required. This modification will ensure that the rear of the tail shaft bearing receives enough fluid. If this modification is not performed properly, severe damage will occur to the rear tail shaft bearings.

See Illustration #1

11. Remove the stock upper rear cross member located directly behind the front differential hardware and cross member. A new upper rear cross member will be installed at a later step.

12. Next remove the stock bolts from the lower control arms on both the driver and passenger side (both front and rear control arms) and let the lower control arms hang. **Note: New hardware will be used.**

See Illustration #2

13. **Front Lower Control Arm Brackets:** Install new front lower control arm drop bracket on driver side to stock front lower control arm mounting point using (1) 7/16" x 4 1/2" bolt, (2) 7/16" washers and (1) 7/16" lock

nut. Bolt through stock hole and new bracket, let hang.

See Illustration #3

14. **Rear Lower Control Arm Brackets:** First locate (4) PB6199-Bump Stops, (4) 3/8" lock nuts and (4) 3/8" flat washers. On the driver side rear lower control arm drop bracket, install (1) bump stop in the upper inner hole, secure using 3/8" hardware. On the lower inner part of the bracket there are two holes, install (1) bump stop in the forward hole secure using 3/8" hardware. Install new rear lower control arm drop bracket on driver side to stock rear lower control arm mounting point using (1) 1/2" x 4 1/2" bolt, (2) 1/2" washers, 1/2" lock nut. Bolt through stock hole and new bracket, let hang. On passenger side rear lower control arm drop bracket install (1) bump stop in the upper inner hole, secure using 3/8" hardware. On the lower inner part of the bracket there are two holes, install (1) bump stop in the forward hole, secure using 3/8" hardware. Install new rear lower control arm drop bracket on passenger side to stock lower control arm mounting point using (1) 1/2" x 4 1/2" bolt, (2) 1/2" washers, (1) 1/2" lock nut. Bolt through stock hole and new bracket, let hang.

See Illustration #4

15. **Front Cross Member:** Install new front cross member to stock front cross member. Secure using previously removed lower sway bar bolts. Do not fully tighten. **Note: Make certain that the threaded spud of the new front cross member is toward the front of the vehicle.**

See Illustration #5

16. Install the new driver side front lower control arm drop brackets to the front cross member. **Note: The front of the new driver side front lower control arm drop bracket will be installed on the outside of the new front cross member. The back of the new driver side front lower control arm bracket will be installed on the inside of the new front cross member.** Secure using (4) 7/16" x 1 1/2" bolts, (8) 7/16" washers and (4) 7/16" lock nuts. **Repeat procedure on passenger side. Do not fully tighten at this point.**

See Illustration #6

17. Go back to all the hardware associated with the new front cross member, the new front lower control arm drop brackets and the new rear lower control arm drop brackets and torque to specs.

18. On the driver side, install the stock lower control arm into the new front lower control arm drop bracket. Secure using (1) 7/16" x 4 1/2" bolt, (1) 7/16" lock nut and (2) 7/16" flat washers. Continuing on the driver side install the stock lower control arm into the new rear lower control arm drop bracket. Secure using (1) 1/2" x 4 1/2" bolt, (1) 1/2" lock nut and (2) 1/2" flat washers. Repeat procedure on passenger side. Do not fully tighten.

See Illustration #7 for front and #8 for rear

19. Securely support the front differential by using a hydraulic jack. Next remove all stock differential mounting bolts from the frame and the differential. **Note: There are a total of 5 differential mounting points.** Next ease off on the jack stand and lower to approximately 5" to 5 1/2" to make room for new differential lowering brackets. **Note: Make sure all wires and hoses have plenty of clearance.**

20. Front Passenger Side Differential Drop Brackets:

Locate the front passenger side differential drop bracket and passenger side differential kicker support bracket. Starting on the front of the differential on the passenger side, insert (2) 1/2" x 3/4" crush sleeves between the stock passenger side differential mount. Install the new front differential drop bracket on the inside of the stock mounts rearward position, with bend at the top angling back. Secure using (2) 1/2" x 3" bolts, (2) 1/2" lock nuts, and (4) 1/2" flat washers. Do not fully tighten. **See Illustration #9.** Now attach the differential to the front side of the new differential brackets, outward hole only, using (1) 1/2" x 3" bolt, (1) 1/2" lock nut and (2) 1/2" flat washers. Do not fully tighten. Now install the kicker support bracket to the stock passenger side lower control arm bracket, hole already provided. Secure using (1) 7/16" x 1 1/2" bolt, (1) 7/16" lock nut and (2) 7/16" flat washers. Now attach the opposite end of the kicker support bracket to the inward hole of the passenger side front differential brackets lower hole. Secure using (1) 1/2" x 3" bolt, (1) 1/2" lock nut and (2) washers.

See Illustration #10

21. Front Driver Side Differential Drop Bracket:

Locate the front driver side differential drop bracket and the driver side differential kicker support bracket. Starting on the front differential on the driver side, insert (2) 1/2" x 3/4" crush sleeves between the stock driver side differential mount. Install the new front differential drop bracket on the inside of the stock mounts forward position, with bend at the top angling back. Secure using (2) 1/2" x 3" bolts, (2) 1/2" lock nuts and (4) 1/2" washers. **See Illustration #11.** Now attach the differential to the front of the new differential brackets, inside hole only, using (1) 1/2" x 3" bolt, (1) 1/2" lock nut and (2) 1/2" flat washers. Do not fully tighten. Now install the kicker support bracket to the stock lower control arm bracket, upper hole (already provided). Secure using (1) 7/16" x 1 1/2" bolt, (1) 7/16" lock nut and (2) 7/16" flat washers. Now attach the opposite end of the kicker support bracket to the outward hole of the front differential brackets lower hole. Secure using (1) 1/2" x 3" bolt, (1) 1/2" lock nut and (2) 1/2" flat washers. Do not fully tighten.

See Illustration #12

22. Passenger Side Rearward Differential Drop

Bracket: Locate the passenger side rearward differential drop bracket. Install the new bracket to the stock differential mounting point. **Note: Make sure the bend in the new bracket is facing toward the passenger side of the vehicle.** Secure using (2) 1/2" x 1 1/2" bolts, (2) 1/2" lock nuts and (4) 1/2" washers. Next secure the differential to the new passenger side rear drop bracket using the two stock bolts. **Note: Make sure to use locktite.**

See Illustration #13

23. Driver Side Middle Differential Drop Bracket:

Locate the driver side middle differential drop bracket. Install the new bracket to the stock mounting point. **Note: Make sure that the bend in the new bracket is placed in a backward "Z" position as you are viewing from the rear of the differential.** Secure using (1) 1/2" x 1 1/2" bolt, (1) 1/2" lock nut and (2) 1/2" flat washers. Next secure the differential to the new driver side middle differential drop bracket using the stock bolt. **Note: Make sure to use locktite.**

See Illustration #14

24. Rear Driver Side Differential Drop Bracket:

Locate the rear driver side differential drop bracket. Install the new bracket to the inside of the stock mounting pint. Secure using (1) 1/2" x 1 1/2" bolt, (1) 1/2" lock nut and (2) 1/2" flat washers. **Note Make sure to mount the new bracket on the inside portion of the stock mounting bracket.** Next secure the front differential to the new bracket using the stock bolt. **Note: Make sure to use locktite.**

See Illustration #15

25. Go back to all hardware associated with the new differential drop brackets and torque to specs.

26. Locate the new upper cross member and install in the same location as previously removed stock cross member from step #11. Secure using stock hardware. **Note: Some vehicles come stock without an upper cross member, if this is the case, the new upper rear cross member is not needed.**

See Illustration #16

27. Rear Lateral Compression Arm Mounts:

Locate (2) rear lateral compression mounts and lateral compression arm plates. Install the new lateral compression arm plate to the stock transmission cross member located approximately in the middle of the chassis, straight back from the rear lower cross member. First secure the new plate in place by using (1) 1/2" x 1 1/2" bolt, (1) 1/2" lock nut and (2) 1/2" flat washers, in the center hole of the new plate. On the driver side of the new lateral compression arm plate, install (1) lateral compression mount to the outer hole on the mounting plate. Secure using (1) 1/2" x 1 1/2" bolt, (1) 1/2" lock nut and (2) 1/2" flat washers. Repeat procedure on passenger side. Torque bolts to spec.

See Illustration #17

28. Lower Rear Cross Member and Lateral

Compression Arm Mounts: Locate the new lower rear cross member and the new front lateral compression arm mounts. Install the new lower rear cross member to the driver side of the new lower rear control arm drop brackets. Secure using (2) 1/2" x 1 1/2" bolts, (2) 1/2" lock nuts and (4) 1/2" flat washers to the front holes on the new cross member and the new rear driver side lower cross arm. **Do not fully tighten.** Install the new lower rear cross member to the passenger side of the new lower rear control arm brackets. Secure using (2) 1/2" x 1 1/2" bolts, (2) 1/2" lock nuts and (4) 1/2" flat washers to the front holes on the new cross member and the new rear passenger side lower control arm. **Do not fully tighten.** On the driver side new rear lower control arm drop bracket install the rear outer hole to the new rear cross member. Secure using (1) 1/2" x 1 1/2" bolt, (1) 1/2" lock nut and (2) flat washers. **Do not fully tighten.** On the passenger side new rear lower control arm drop bracket install the rear outer hole to the new rear cross member. Secure using (1) 1/2" x 1 1/2" bolt, (1) 1/2" lock nut and (2) flat washers. **Do not fully tighten.** Now install (1) lateral compression mount on the driver side inner bolt hole of the new cross member and secure using (1) 1/2" x 1 1/2" bolt, (1) 1/2" lock nut and (2) flat washers. **Do not fully tighten.** Next, install (1) lateral compression mount to the passenger side inner bolt hole of the new cross member and secure using (1) 1/2" x 1 1/2" bolt, (1) 1/2" lock nut and (2) 1/2" flat washers.

Tighten all bolts associated with the new rear cross member and lateral compression mounts.

See Illustration #18 and #19

29. Lateral Compression Arms: Locate the new lateral compression arms, poly bushings and steel sleeves. Now install poly bushings part #PB2408 in each end of the lateral compression arms. (2) per side, (4), per arm. Insert (1) 9/16" x 2 1/8" crush sleeve into each end of the new lateral compression arms. **Note: Make sure to use a lithium of moly base grease on new bushings and sleeves.** On the driver side install the new lateral compression arm by inserting into the newly installed rear lateral compression arm mount. Secure using (1) 1/2" x 3 1/2" bolt, (1) lock nut and (2) 1/2" flat washers. **Note: Do not fully tighten.** On the passenger side install the new lateral compression arm by inserting into the newly installed rear lateral compression arm mount. Secure using (1) 1/2" x 3 1/2" bolt, (1) lock nut and (2) 1/2" flat washers. **Note: Do not fully tighten.** Next install the lateral compression arms to the newly installed front mounts, secure using (2) 1/2" x 3 1/2" bolts, (2) 1/2" lock nuts and (4) flat washers. **Tighten all hardware associated with the newly installed lateral compression arms.**

See Illustration #39

30. Install the modified front differential cover using stock bolts and OEM approved sealant. **Note: Replacement gasket may be needed.** Torque to factory specifications (refer to OEM manual for proper torque settings). Now using previously drilled upper filler hole in differential cover, fill with OEM approved differential fluid. Fill fluid to the bottom the new hole. Next install new filter plug

provided into the new hole. **Note: It is very important that the new differential is completely filled to the bottom of the new hole. This will ensure that an adequate fluid level is achieved.**

31. Supporting lower control arms. Remove the upper brake line mounting bolts. Remove upper control arm alignment bolts and remove upper control arms from the stock pivot brackets. Safely support the brackets so that the CV joints do not extend and let hang. **Note: Save the stock alignment bolts for later reinstallation.**

32. On both sides of the frame near the upper control arm mounts, unbolt the stock rubber compression bump stops from their steel frame mount brackets and discard. With a suitable cutting tool, carefully trim the steel frame mount bump stop brackets flush with the frame on the driver side and passenger side allowing the new upper control arm drop brackets to mount flush to the frame. **Note: Do not cut or grind into the frame. Caution: Undercoating is flammable.** Grind and clean all cutting slag from the trimming performed in this installation step. Paint and undercoat any exposed metal.

See Illustration #20

33. Driver Side Upper Control Arm Drop Bracket:

Locate the new driver side upper control arm drop bracket. Install to the stock frame rail bracket front hole. Secure using (1) 1/2" x 1 1/2" bolt, (1) 1/2" lock nut and (2) flat washers. **Do not fully tighten.** Locate the new front brake line extension bracket. Now install the rear hole of the new driver side upper control arm drop bracket to the stock frame rail bracket rear hole. Also at this time install the new brake line extension bracket. Secure using (1) 1/2" x 1 1/2" bolt, (1) 1/2" lock nut and (2) flat washers. **Note: Slope of the new bracket must go to the rear of the vehicle.**

See Illustration #21 and #30

34. Passenger Side Upper Control Arm Drop Bracket:

Locate the new passenger side upper control arm drop bracket and install to the stock frame rail bracket rear hole. Secure using (1) 1/2" x 1 1/2" bolt, (1) 1/2" lock nut and (2) flat washers. **Do not fully tighten.** Locate the new front brake line extension bracket and install to the front hole of the new passenger side upper control arm drop bracket to the stock frame rail bracket front hole. Also at this time install the new brake line extension bracket. Secure using (1) 1/2" x 1 1/2" bolt, (1) 1/2" lock nut and (2) flat washers. **Note: Slope of the new bracket must go to the rear of the vehicle.**

See Illustration #22 and #30

35. **Upper Control Arm Rear Support Bracket:** Locate the new upper control arm support bracket and install to the inside of the driver side upper control arm drop bracket. Secure using (2) 3/8" x 1 1/2" bolts, (2) 3/8" lock nuts and (4) 3/8" flat washers. Using the holes in the support bracket as a guide, drill (2) 3/8" holes through the upper portion of the stock lower rear control arm bracket. Now secure the rear support bracket to the back side of the stock upper control arm bracket. Secure using using (2) 3/8" x 1 1/2" bolts, (2) 3/8" lock nuts and (4) 3/8" flat washers. **Note: Do not fully tighten.**

Repeat procedure on passenger side. Return to the driver side and make sure that the upper control arm bracket is tight against the frame. Now fully tighten the 1/2" bolts on the upper control arm bracket and the 3/8" bolts securing the gusset support bracket to the upper control arm bracket. **Note: Make sure to tighten the 1/2" bolts first, then the 3/8" bolts next.** Repeat procedure on opposite side.

See Illustration #26

36. Upper Control Arm Front Support Bracket: Locate the upper control arm front support brackets. On the driver side, install the front support bracket on the inside of the new upper control arm drop bracket. Secure using (1) 7/16" x 1/2" bolt, (1) 7/16" lock nut and (2) 7/16" flat washers. Using the bracket as a guide drill (2) 5/16" holes into the bottom side of the frame and secure the "L" bracket using 3/8" self threading bolts. Repeat procedure on opposite side.

See Illustration #24

37. Install stock upper control arms to the new upper control arm drop bracket alignment slots located on the bottom of the new driver side upper control arm drop bracket. Secure using the stock alignment bolts.

See Illustration #25

38. Secure stock brake line bracket to new brake line bracket using (1) 5/16" X 3/4" bolt, (1) 5/16" lock nut and (2) 5/16" flat washers. Repeat procedure on opposite side.

See Illustration #30

39. Steering Center Link: Locate the new steering center link. Install the new center link to the idler arm and pitman arm. Secure using stock hardware. **Note: Make sure that the radius of the center link is going toward the rear of the vehicle and the short ends are mounted to the idler arm and pitman arm.** Now install the stock tie rod ends to the bottom of the new steering center link and outer end of the tie rod ends to the steering knuckle.

See Illustration #32

40. Steering Assist: Locate the steering assist unit, poly bushing #PB2408 and steel crush sleeves. Install the new poly bushings (2 top and 2 bottom) and (2) 9/16" x 2 1/8" crush sleeves (with hole) in new steering assist making sure to crease with moly or lithium base grease. Install steering assist to the middle of the center link and secure to the front cross member using (2) 9/16" x 3" bolts and washers, making sure to locktite all bolt threads. Do not fully tighten at this point.

See Illustration #26

41. Front Shock Absorbers: Locate the new front shock absorbers and install the protective rubber dust boots. Use zip ties to secure the boot to the bottom of the shock. Install the new shock in the stock bottom mount using stock hardware. Insert the upper shock stem into the new upper control arm drop bracket shock hole and secure using the new bushing and hardware.

See Illustration #27

42. Check and double check that all front end components are installed properly. Once all parts are in place, torque all nuts to proper torque settings. (See torque specifications sheet).

43. Torsion Bar Adjuster Plate: Install the torsion bars into the lower control arms in the same manner as previously removed. Now install the torsion bar adjuster plate onto the rear of the torsion bars. Next install the torsion bar adjuster plate in the stock location and secure using stock hardware.

See Illustration #29

44. Position hydraulic floor jack under rear differential housing and raise the rear end until both wheels are off the ground. Place adjustable floor stands on each side of the frame rail approximately 3" in front of the spring hanger and lower floor jack so the weight of the vehicle rests on both floor stands. Both wheels must be off the ground. Leave the floor jack in position. Remove both wheels.

45. Remove brake cable and brake line from axle, next remove both rear shock absorbers and sway bars from the rear axle. Raise floor jack until the weight of the springs are slightly resting on the axle. Remove U-bolts and U-bolt mount plates from both springs.

46. Raise hydraulic floor jack until springs are separate from the axle pad. Make sure to allow enough space so that the stock springs can be safely removed.

47. Locate the rear spring shackle bolt on the rear of the vehicle. Next remove the spring shackle bolt and save for later reinstallation. Next, locate and remove the rear spring eye hanger bolt located at the front of the rear leaf spring. Now remove the leaf spring.

48. Locate the new 6 degree tapered shims and new 3/8" center bolts provided. Next place a c-clamp on each side of the new rear leaf spring center bolt. Next remove the original center bolt and discard. Install the new 6-degree shim into the new leaf springs, secure using new 3/8" center bolts. Degree shims must be bolted to the top of the leaf spring and the center bolt head must be on the top of the leaf spring. **Note: The rear leaf spring is offset from the center bolt to the eye of the leaf spring. Make certain that the tallest end of the degree shims are pointed toward the short end of the leaf spring and the smallest end of the degree shims are pointed to the long end of the leaf spring.** Repeat procedure on the other leaf spring.

49. Remove the steel crush sleeves and poly bushings from the new leaf springs and lube bushing using a lithium or moly based grease. Next re-install the bushings and steel crush sleeves.

50. Install the new rear leaf spring making sure the long portion of the leaf spring is in the rearward position. Secure using stock hardware. (Do not fully tighten at this time) **Note: The rear leaf spring is offset from the center bolt to the eye of the leaf spring. Make certain that the long end goes to the rear of the vehicle.**

51. Secure newly installed leaf springs to axle using the new 9/16" x 3 1/2" x 10 1/2" round U-bolts, nuts and washers. Make sure to reinstall the stock U-bolt plate. **Also be certain that the leaf springs center bolt sits properly into the stock axle pad.** Torque to proper settings.

52. Locate the rear emergency brake cable extension. From hardware bag #3 find (4) 5/16" x 1 1/4" bolts, (8) 5/16" flat washers, (4) lock nuts and (1) 3/8" x 1/4" self threading bolt. On the frame behind the rear driver side tire, remove the three bolts that connect the emergency brake cable line to the frame. Install the new emergency brake cable extension into the stock location with new 5/16" hardware. Using the stock bracket as a guide, drill a 5/16" hole into the spring shackle. Secure stock bracket to the spring shackle using the 3/8" self threading bolt.

See Illustration #35

53. Locate (2) new rear sway bar extension brackets. From hardware bag #1 find (4) 7/16" x 1/2" bolts, (8) 7/16" flat washers and (4) 7/16" lock nuts. Also locate (1) new brake cable relocating bracket, (1) 5/16" x 1 1/4" bolt, (2) 5/16" flat washers and (1) 5/16" lock nut. On the passenger side, place the new bracket into the stock location and secure the bottom of the bracket using stock hardware, at this time install the new brake line bracket to the forward hole on the new sway bar extension bracket. Secure sway bar to the new bracket using 7/16" hardware. Connect stock rear brake line to the newly installed brake line bracket using 5/16" hardware.

See Illustration #38

54. Install the new sway bar drop down bracket on the driver side the same way it was installed on the passenger side. No brake cable relocating bracket is needed on the driver side.

55. Locate one brake line relocating bracket, (1) 5/16" x 1 1/4" bolt, (2) 5/16" flat washers and (1) 5/16" lock nut. On the driver side inner frame rail above the stock spring shackle. Remove the stock bolt that holds the stock brake line to the frame. Install the new brake line bracket to the stock location, secure using the stock mounting bolt. Now connect the stock brake line bracket to the new brake line relocation bracket and secure using 5/16" hardware.

See Illustration #37

56. Install the new rear shocks using stock hardware. Make sure to install the dust boot.

57. Reinstall the tires and wheels and safely lower the vehicle to the ground.

58. Now torque the spring shackle bolt and eye hanger bolts to the proper torque settings.

59. Install front wheels and tires and lower vehicle to the ground.

60. With the weight on the vehicle, connect the stock front sway bar to the driver side new lower control arm drop brackets using stock hardware. Make sure to install the stock sway bar bracket to the back of the new lower control arm first, then the bottom hole. **Note: On the new front control arms there are two holes. Connect the front stock sway bar bracket to the rear hole.** Repeat on opposite side.

See Illustration #34

61. Now connect the outer part of the stock sway bar to the bottom of the stock lower control arm using stock hardware.

See Illustration #33

Congratulations, installation complete. Check and double check to make sure that all steps were performed properly. Check torque settings to make sure bolts are torqued to proper specs.

Tuff Country recommends that a re-torque is done on all bolts associated with this lifted suspension. This should occur 500 miles after the kit has been installed. It also is the customers responsibility to check and re-torque bolts after every 3,000 miles or after every off-road use. Neglect of following these steps could cause brackets to come loose and cause serious damage to the vehicle.

Special Note: After the lift kit is installed and alignment has been performed, differential fluid may spill out of the vent hose. If this occurs, check to make sure that the differential fluid is not over filled. This will cause fluid to leak out of the vent hose.

If you have any question, please feel free to call us at (801) 280-2777

Torque Settings:

5/16"	15-18 ft. lbs.	3/8"	28-32 ft. lbs.
7/16"	30-35 ft. lbs.	1/2"	65-85 ft. lbs.
9/16"	75-90 ft. lbs.	5/8"	85-110 ft. lbs.

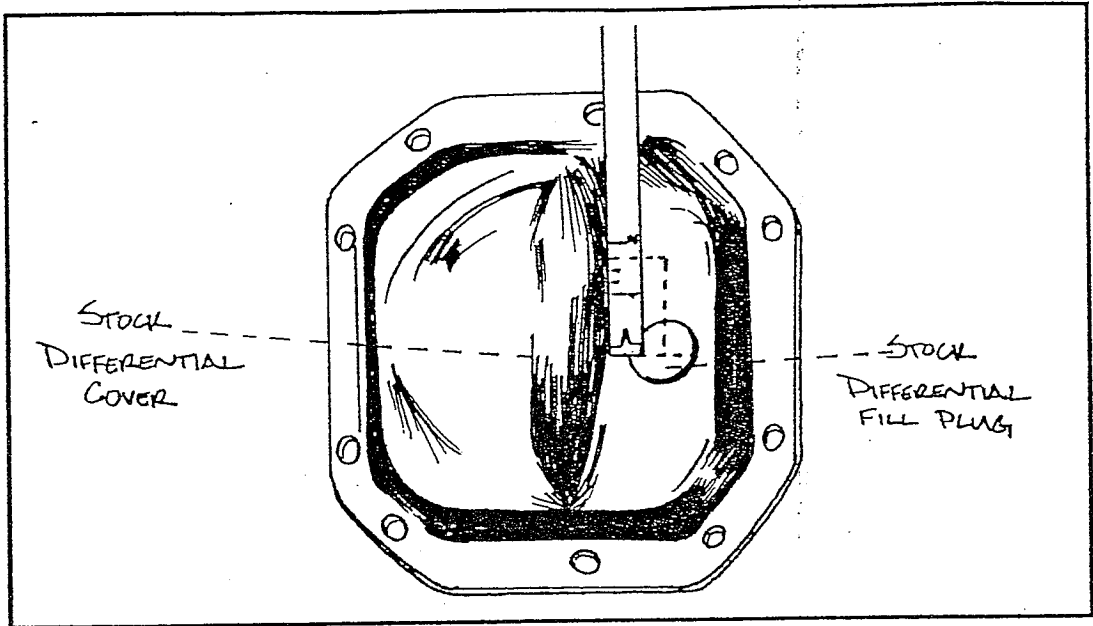


ILLUSTRATION # 1

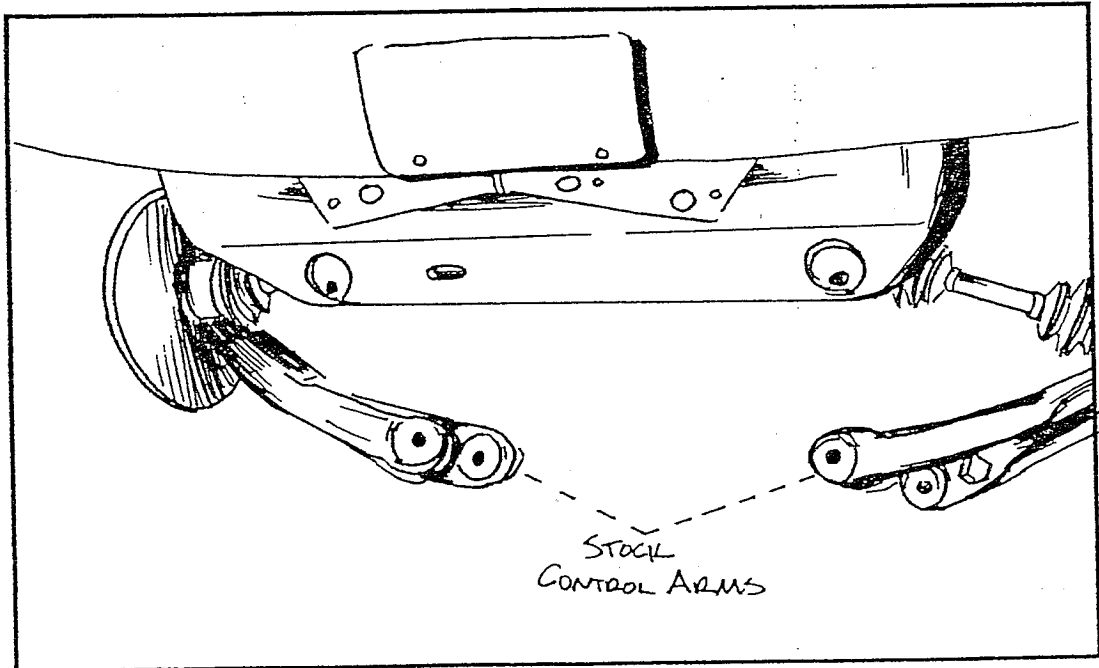


ILLUSTRATION # 2

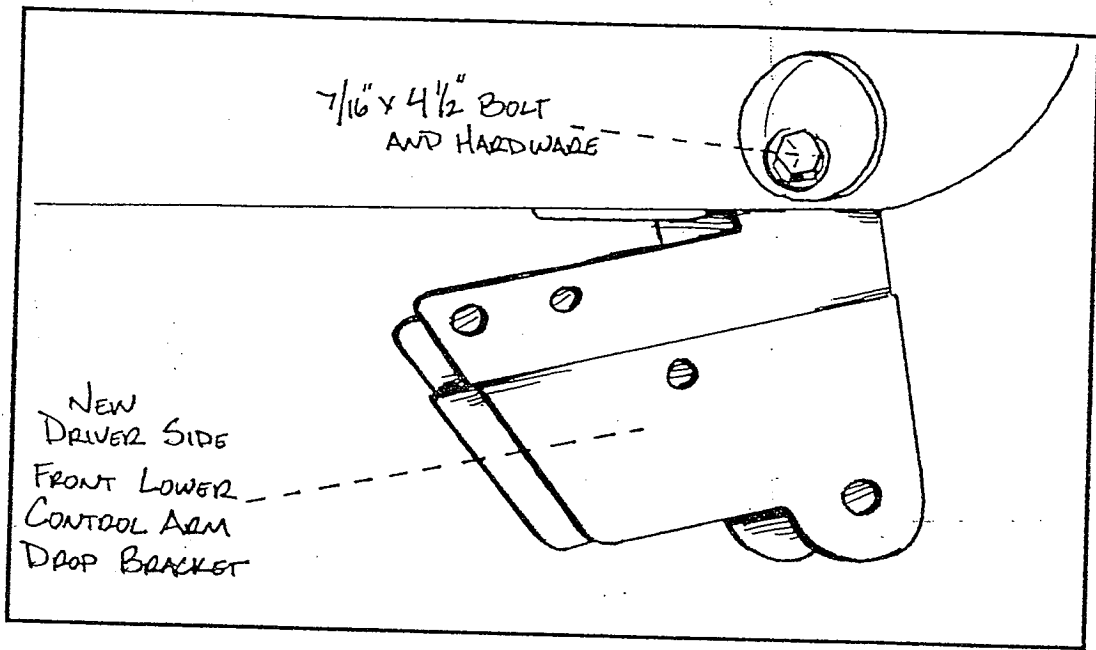


ILLUSTRATION # 3

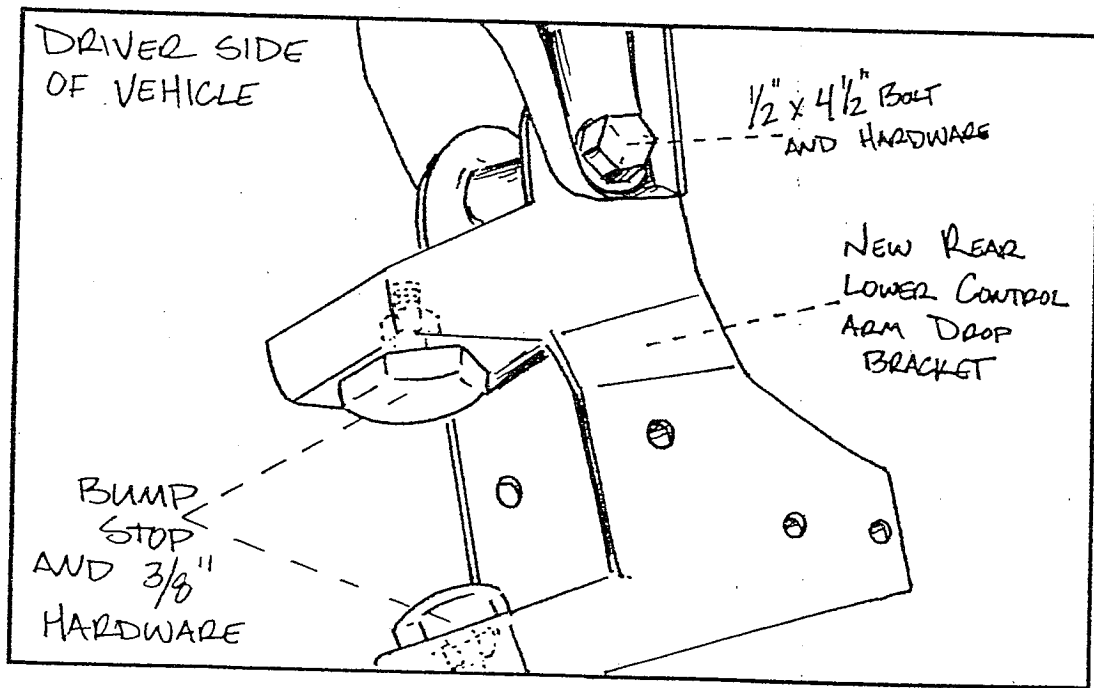


ILLUSTRATION # 4

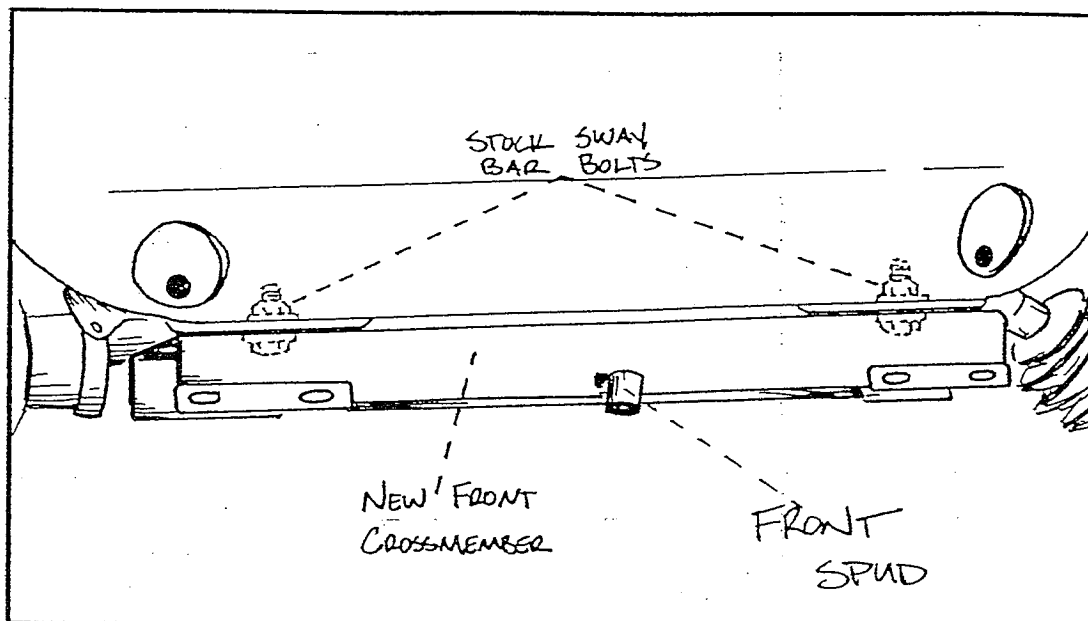


ILLUSTRATION # 5

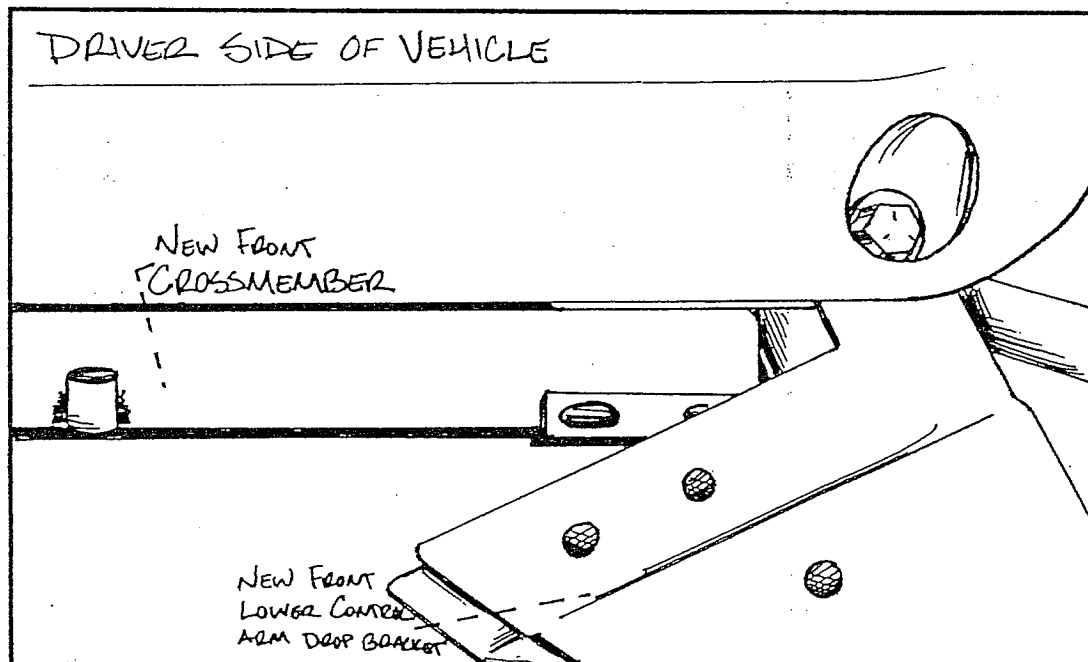


ILLUSTRATION # 6

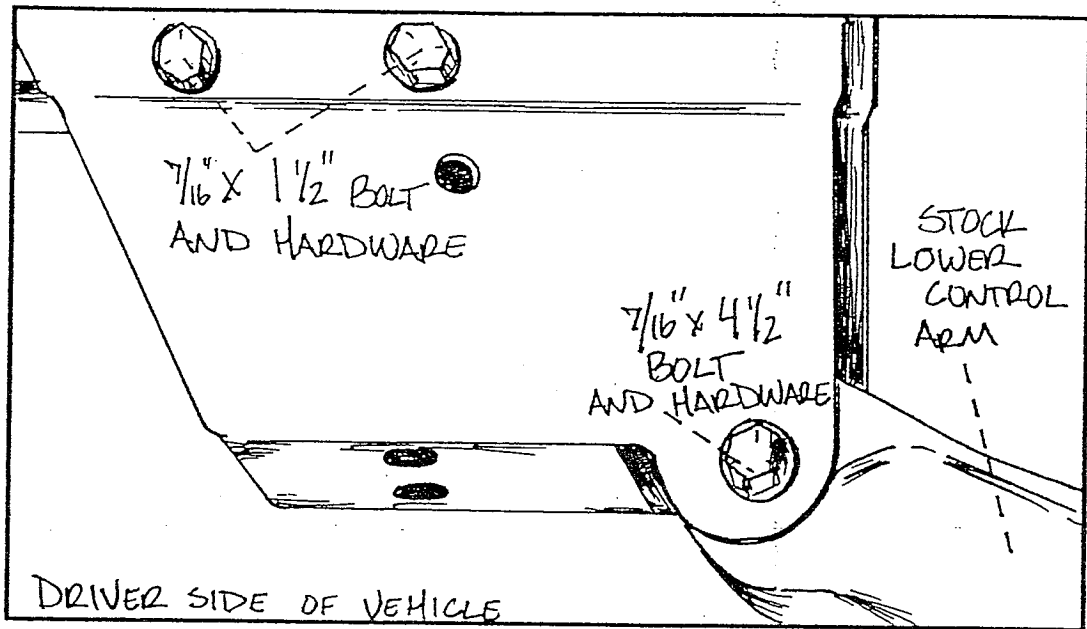


ILLUSTRATION # 7

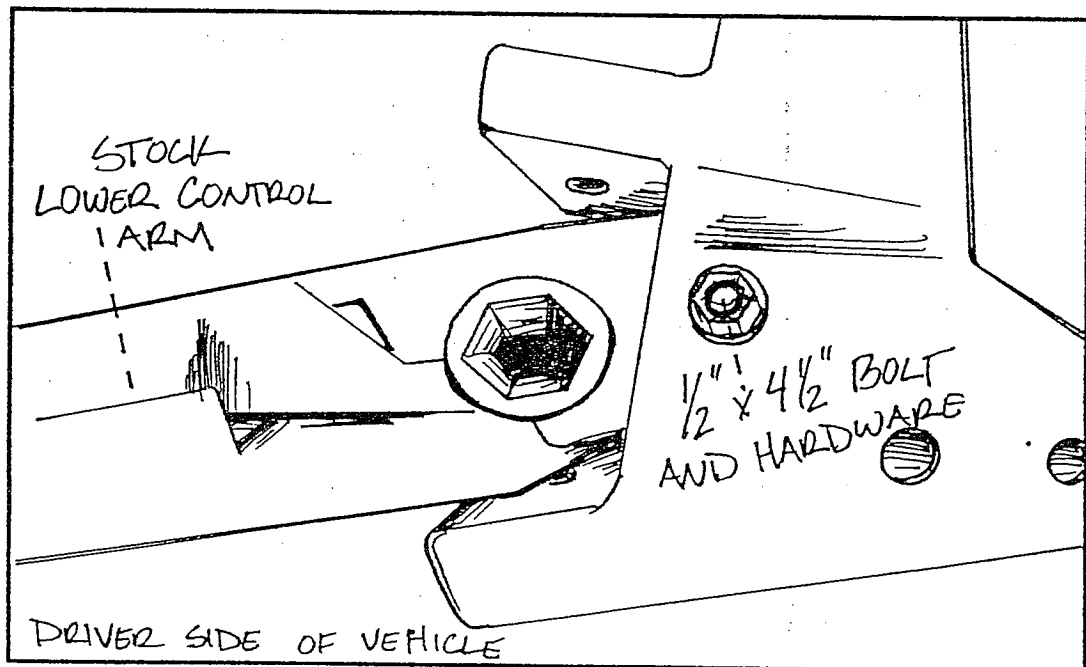


ILLUSTRATION # 8

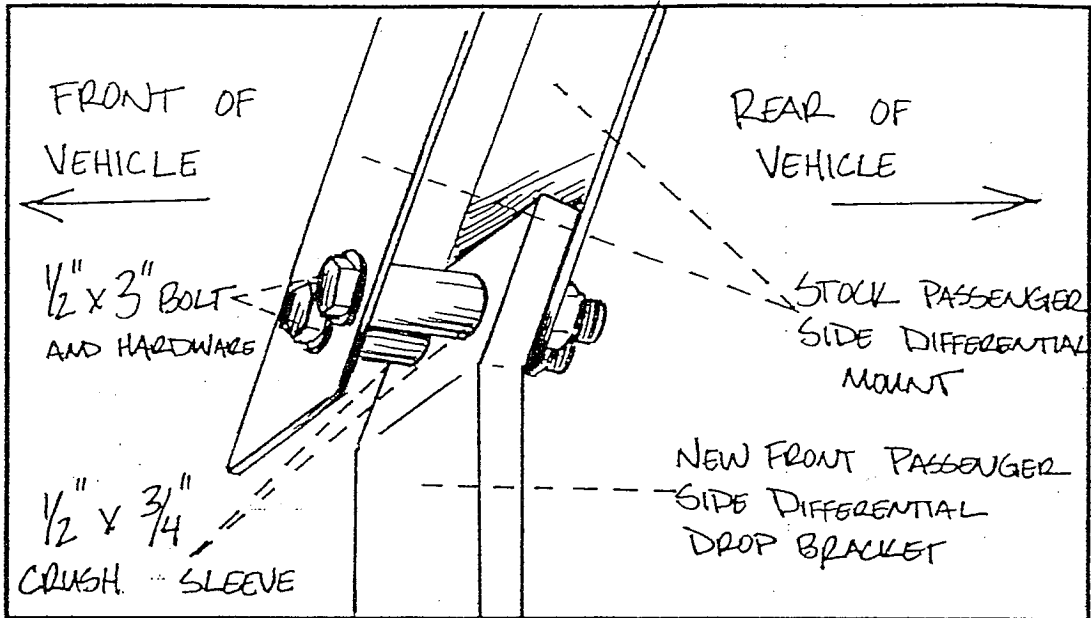


ILLUSTRATION # 9

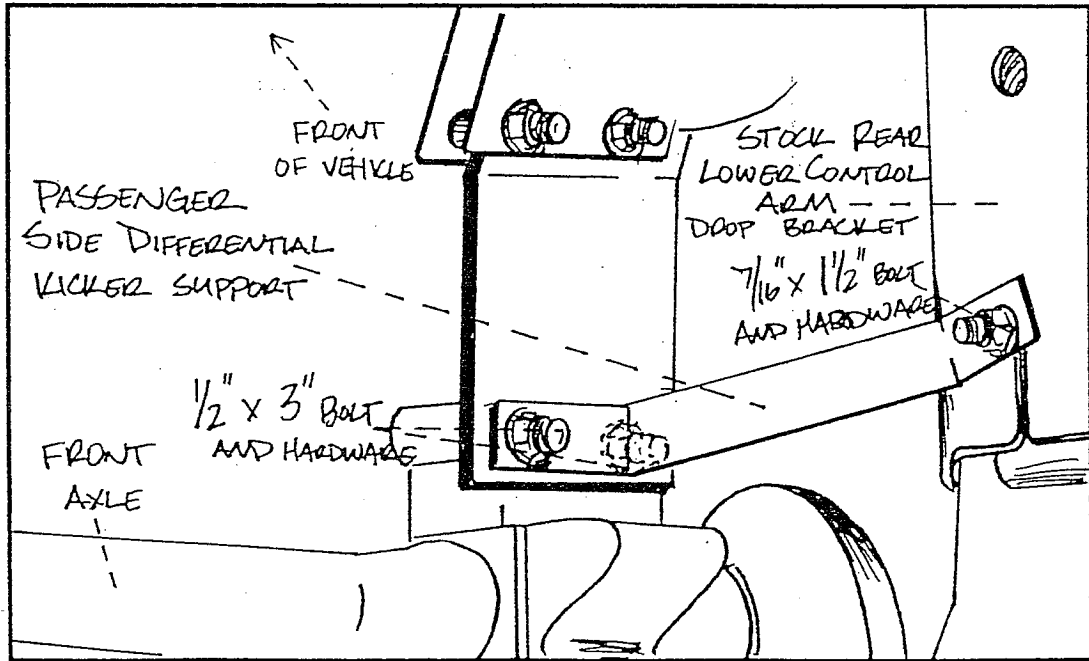


ILLUSTRATION # 10

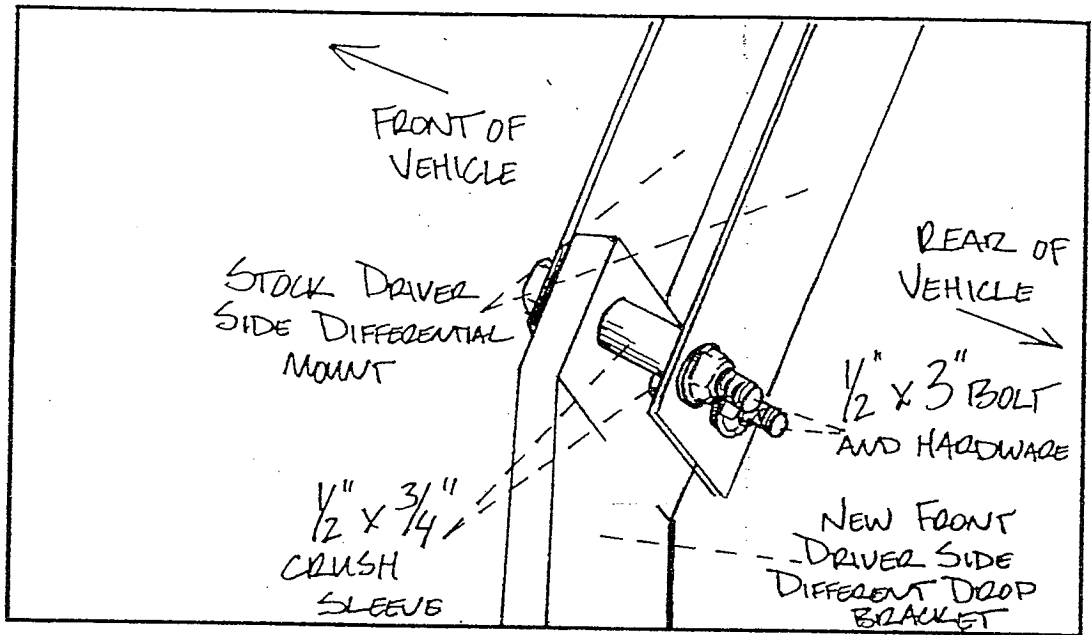


ILLUSTRATION # 11

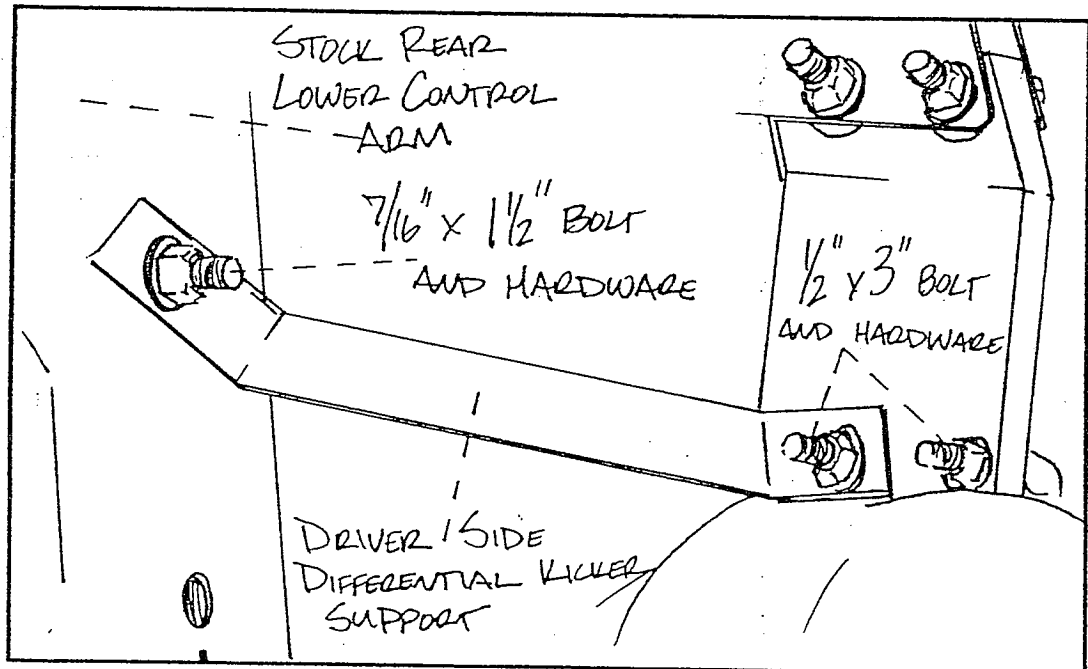


ILLUSTRATION # 12

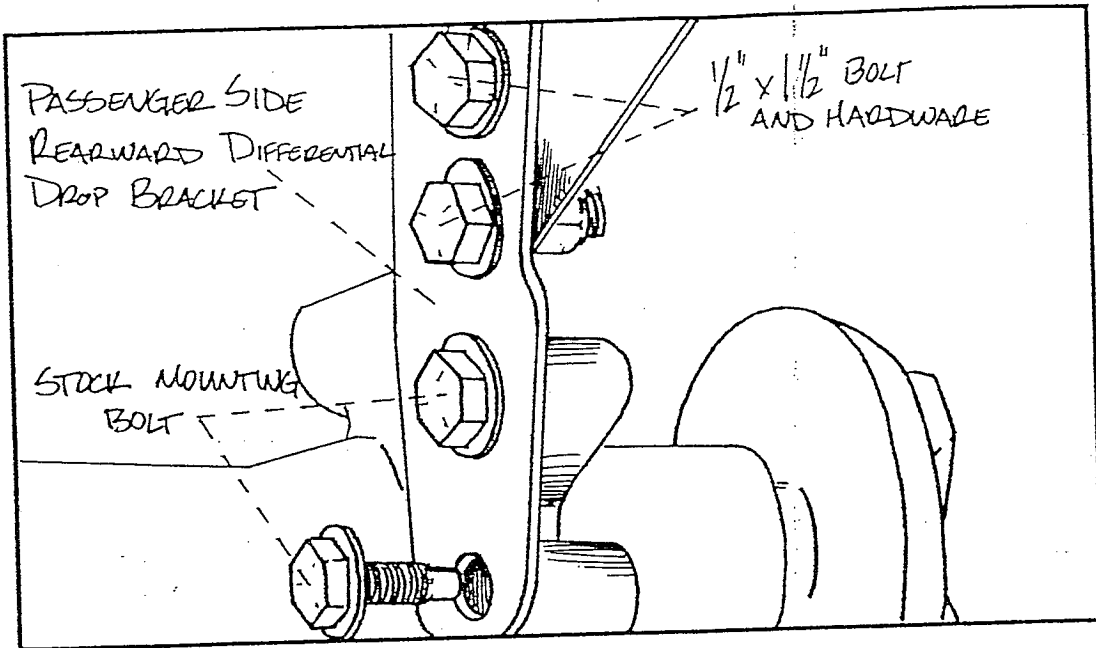


ILLUSTRATION # 13

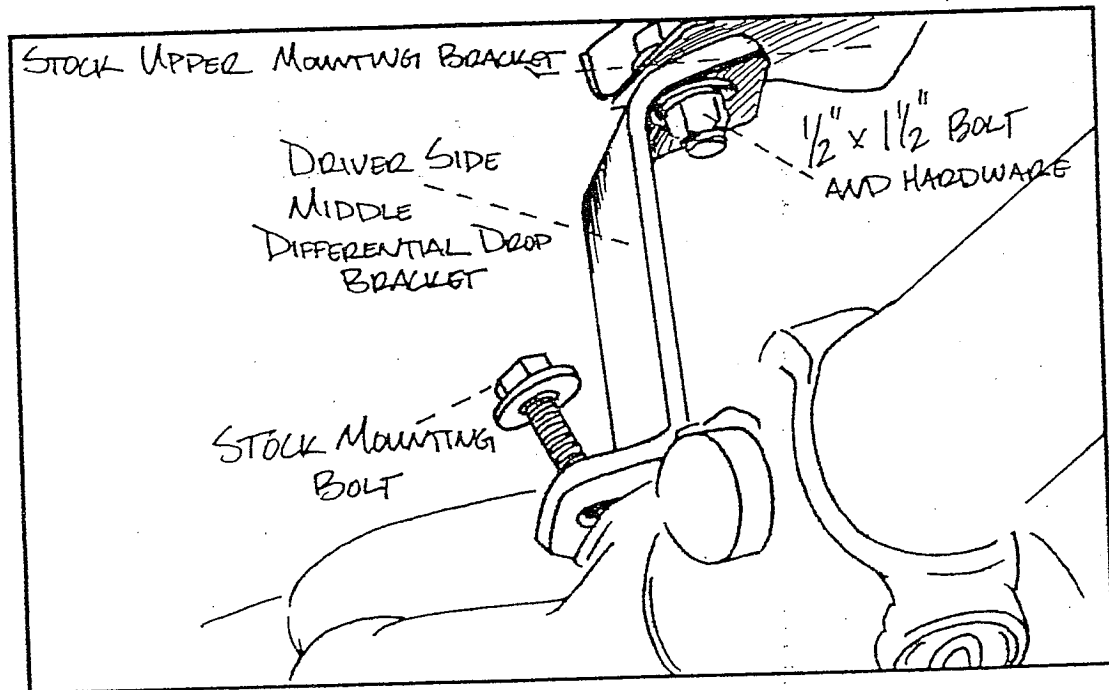


ILLUSTRATION # 14

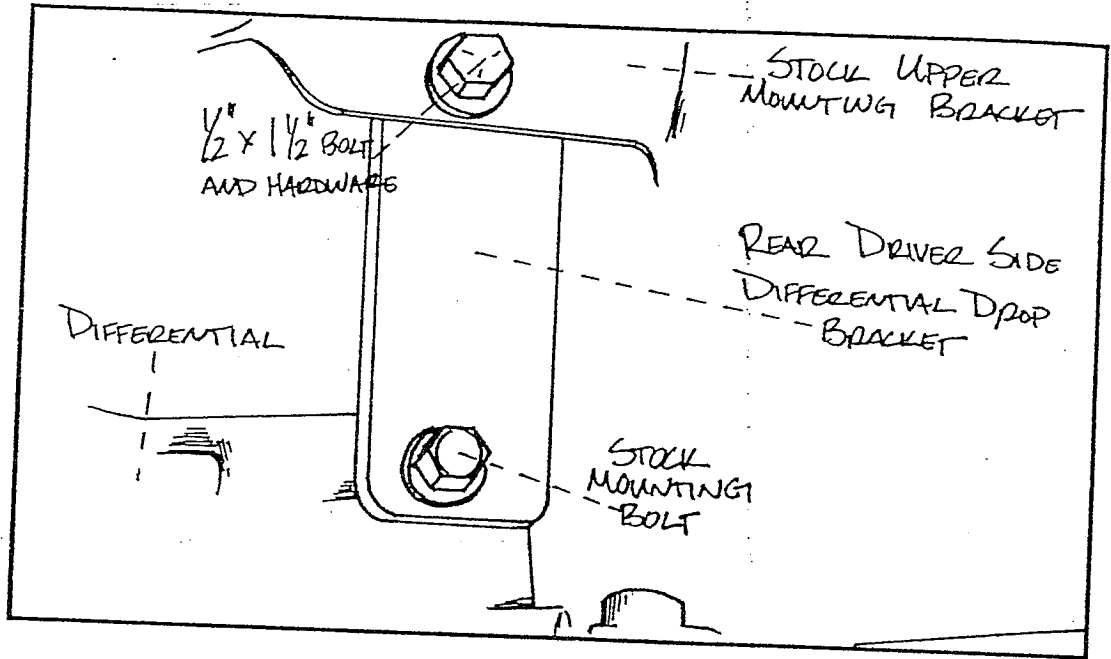


ILLUSTRATION # 15

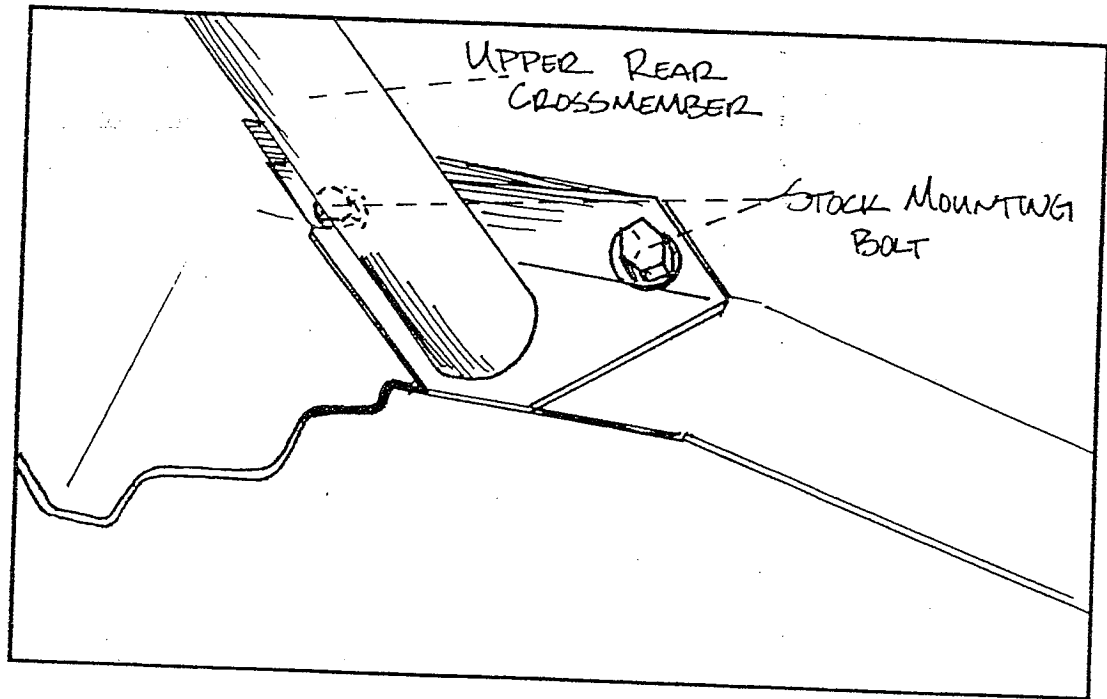


ILLUSTRATION # 16

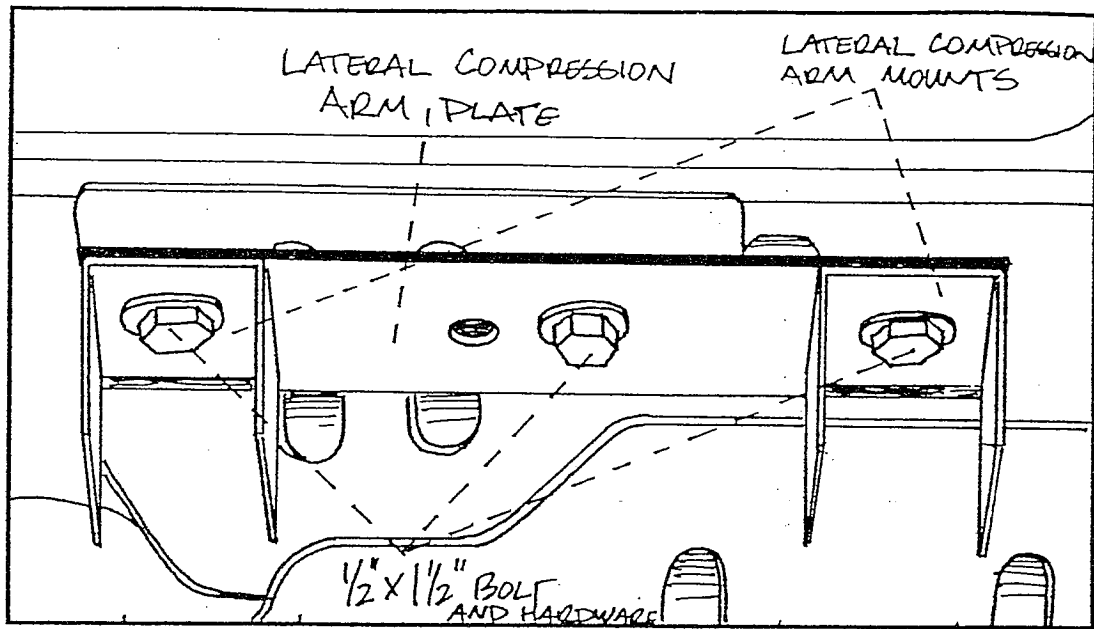


ILLUSTRATION # 17

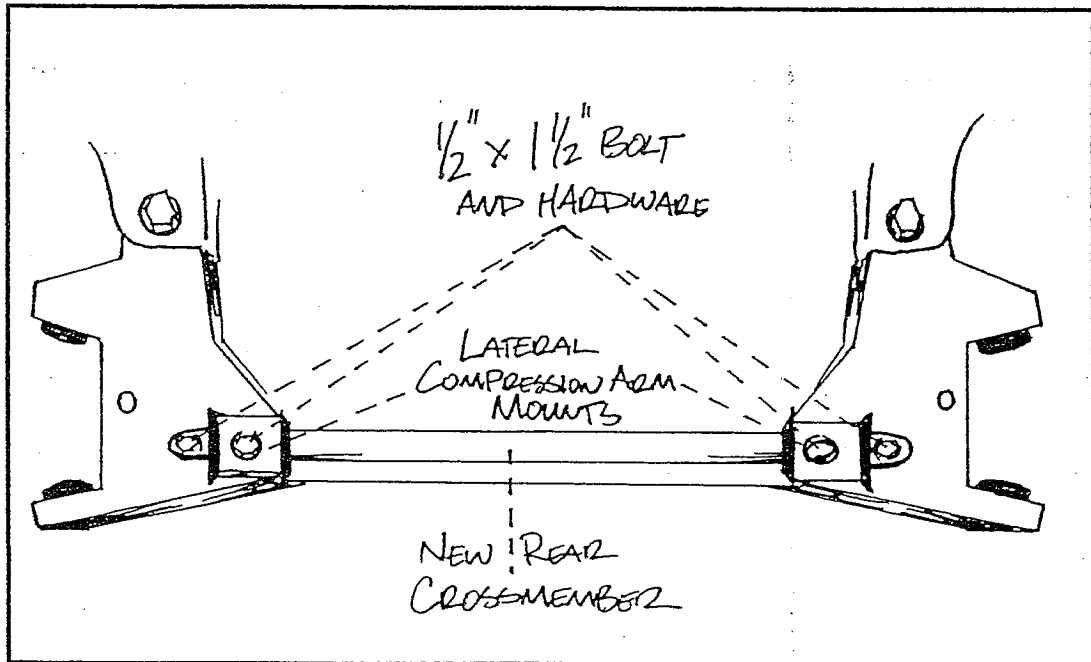


ILLUSTRATION # 18

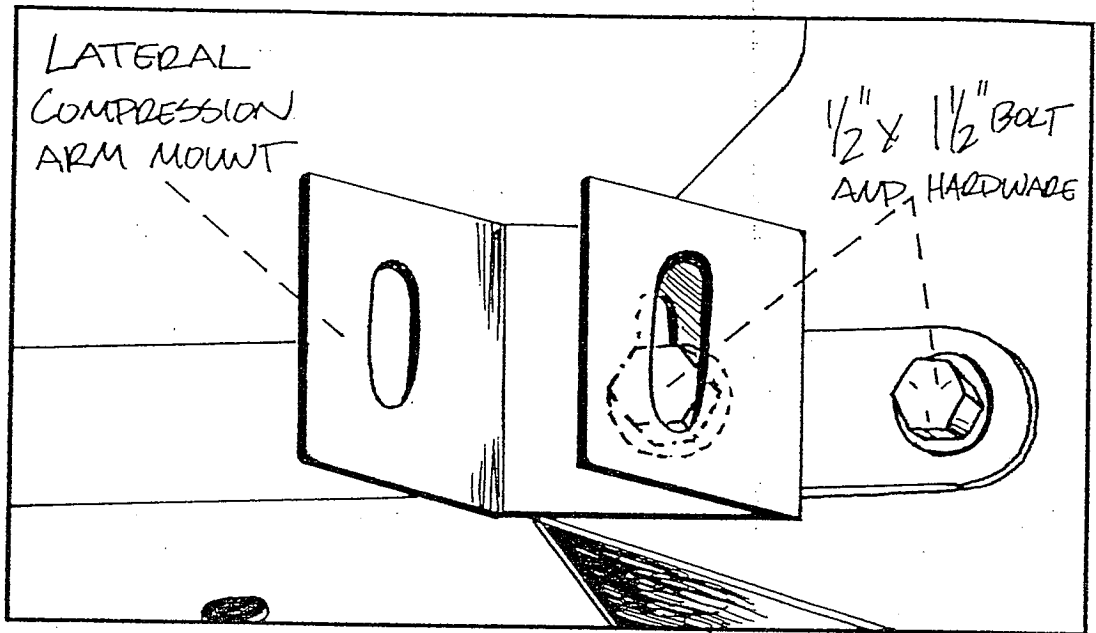
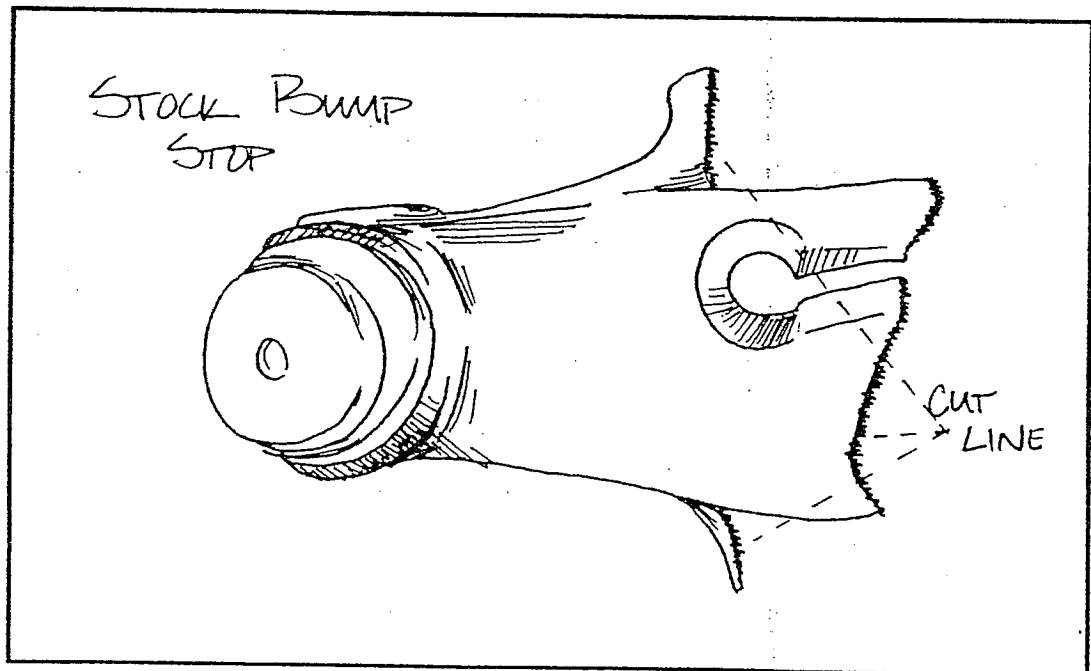


ILLUSTRATION # 19



ILLUSTRATION# 20

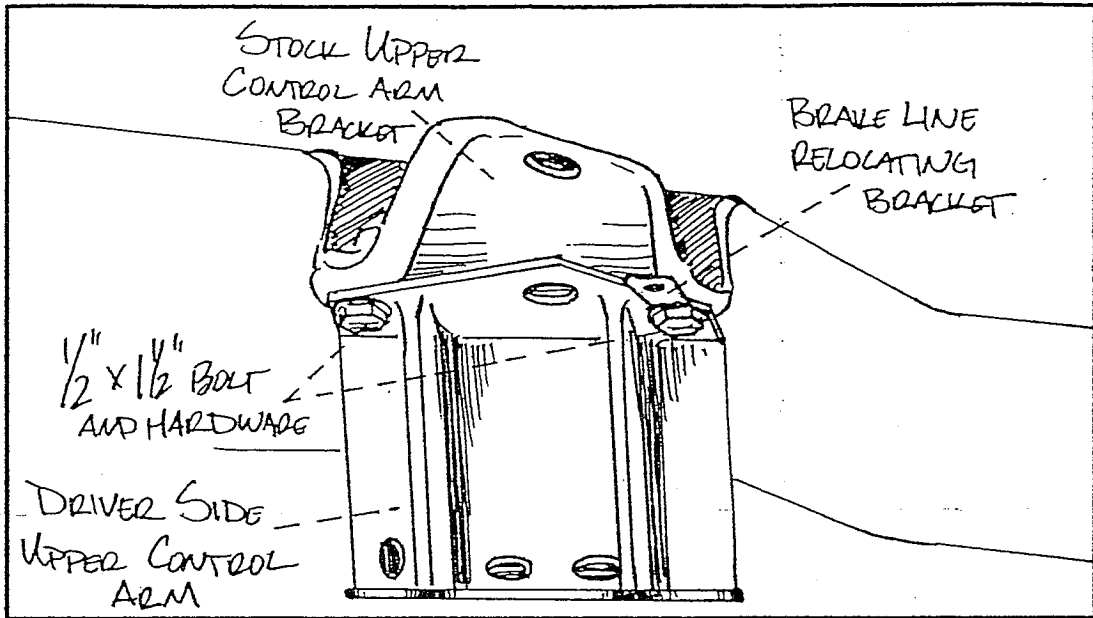
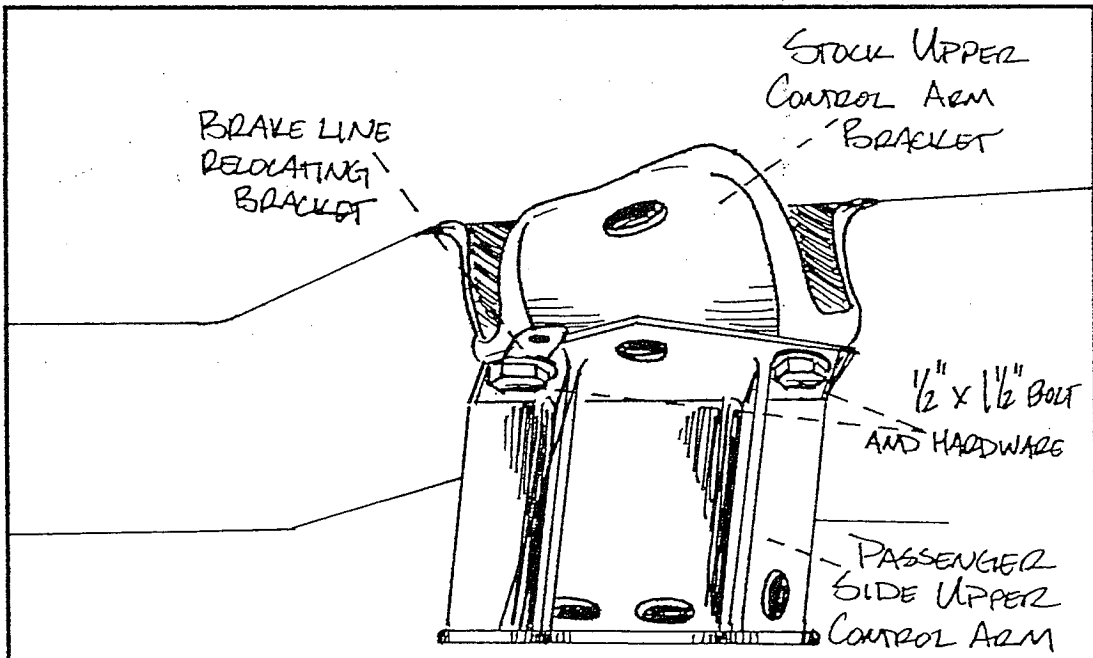


ILLUSTRATION # 21



ILLUSTRATION# 22

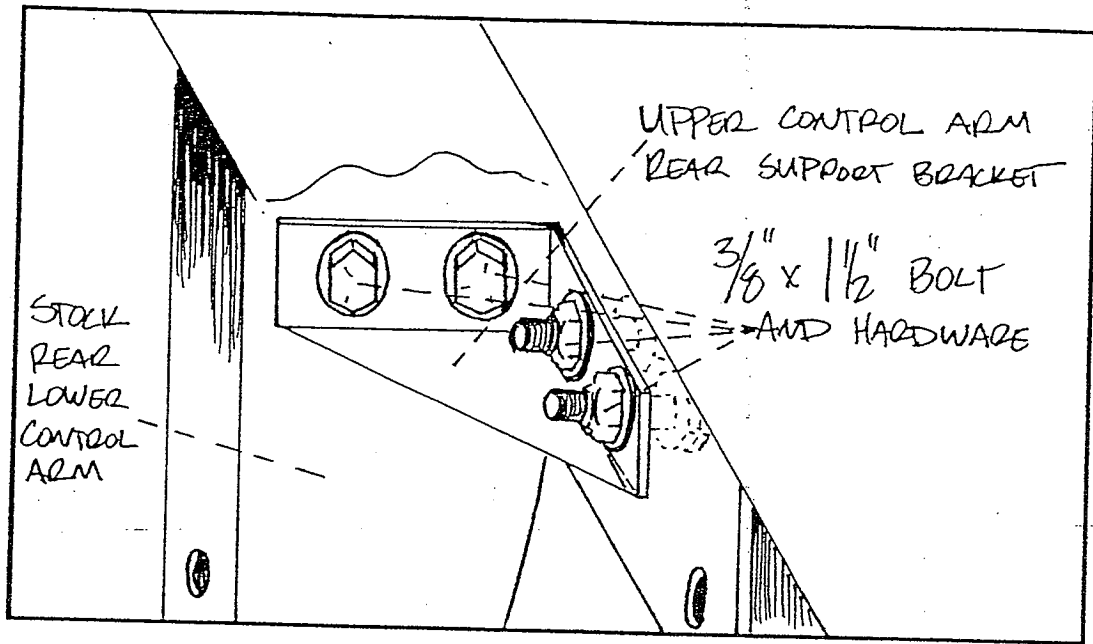


ILLUSTRATION # 23

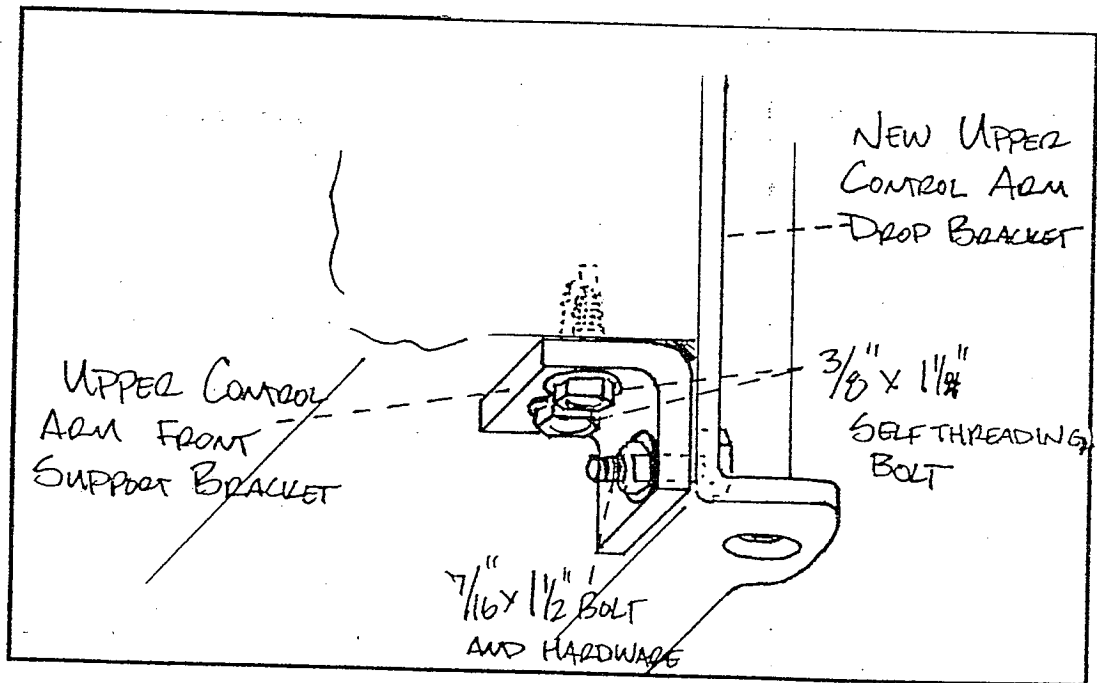


ILLUSTRATION # 24

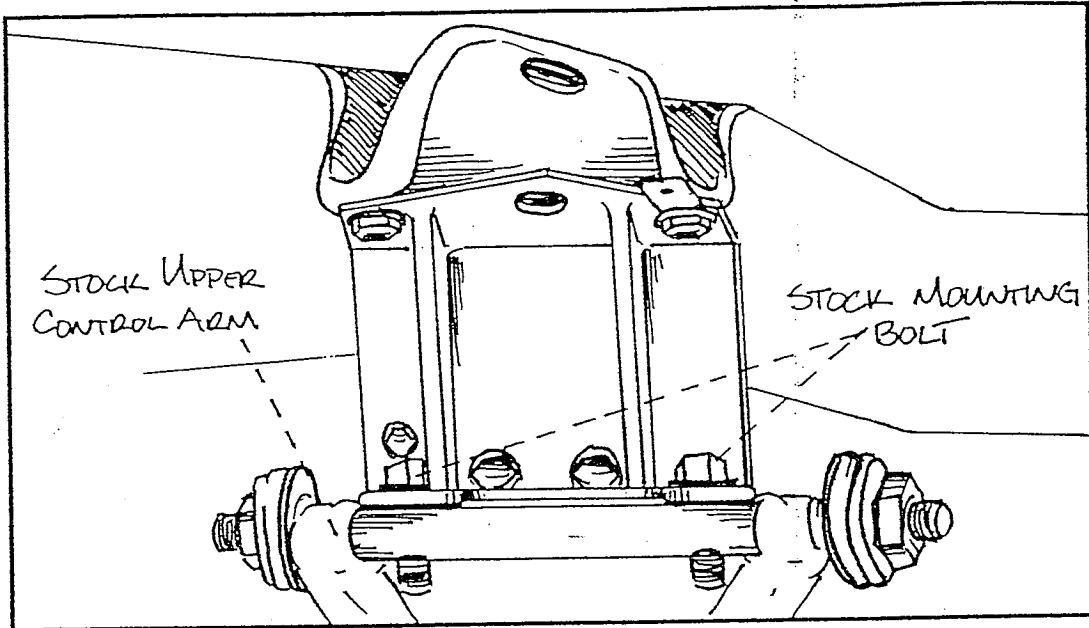


ILLUSTRATION # 25

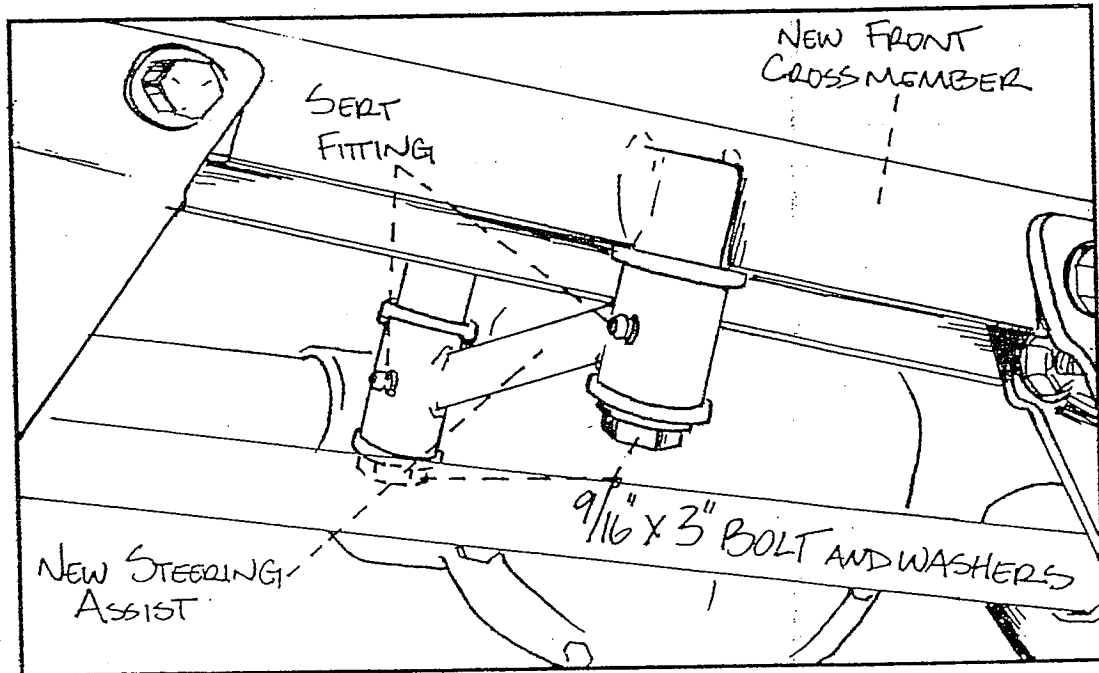


ILLUSTRATION # 26

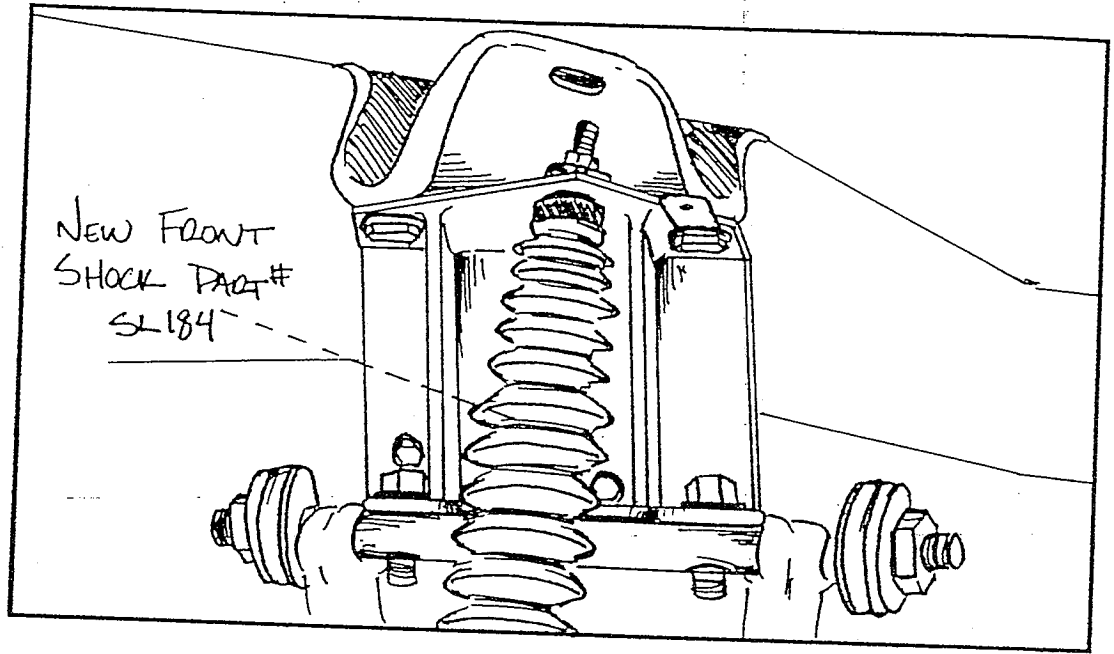


ILLUSTRATION # 27

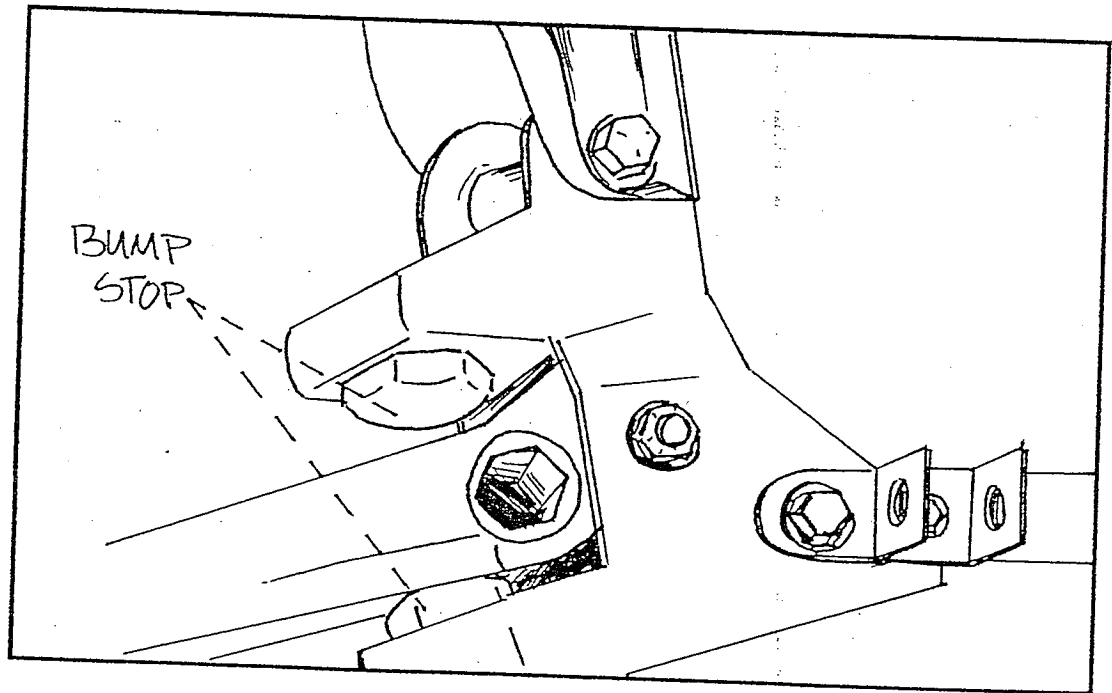


ILLUSTRATION # 28

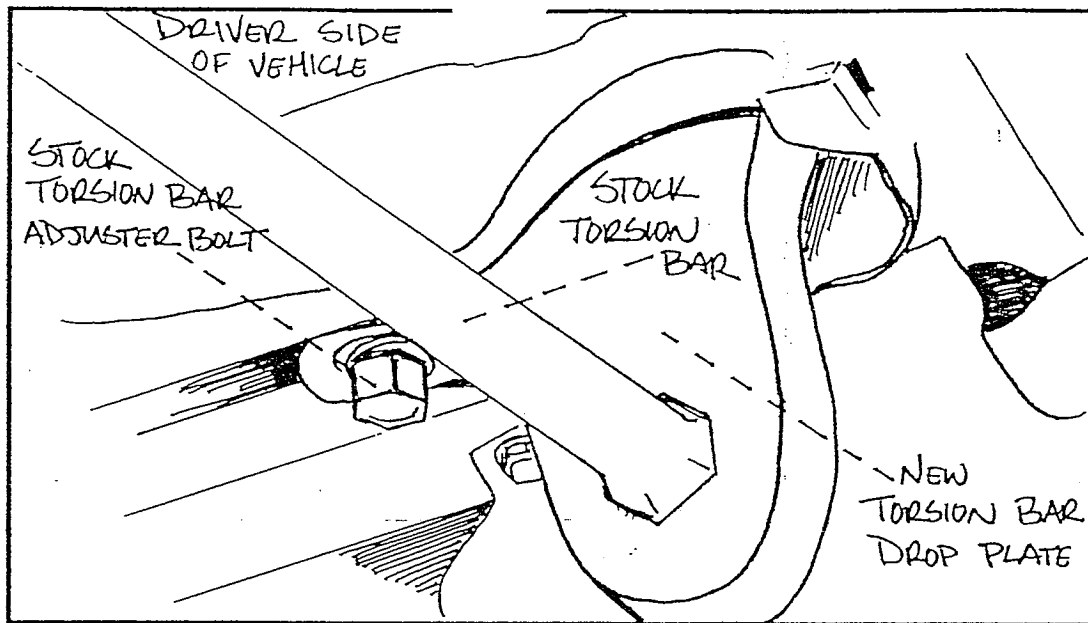


ILLUSTRATION # 29

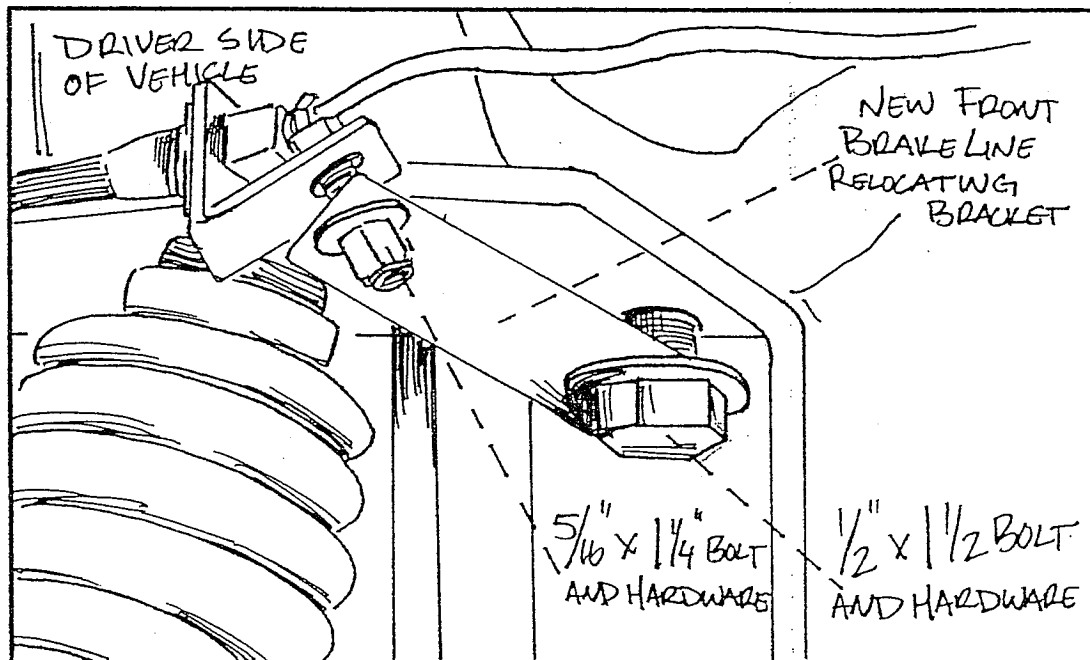


ILLUSTRATION # 30

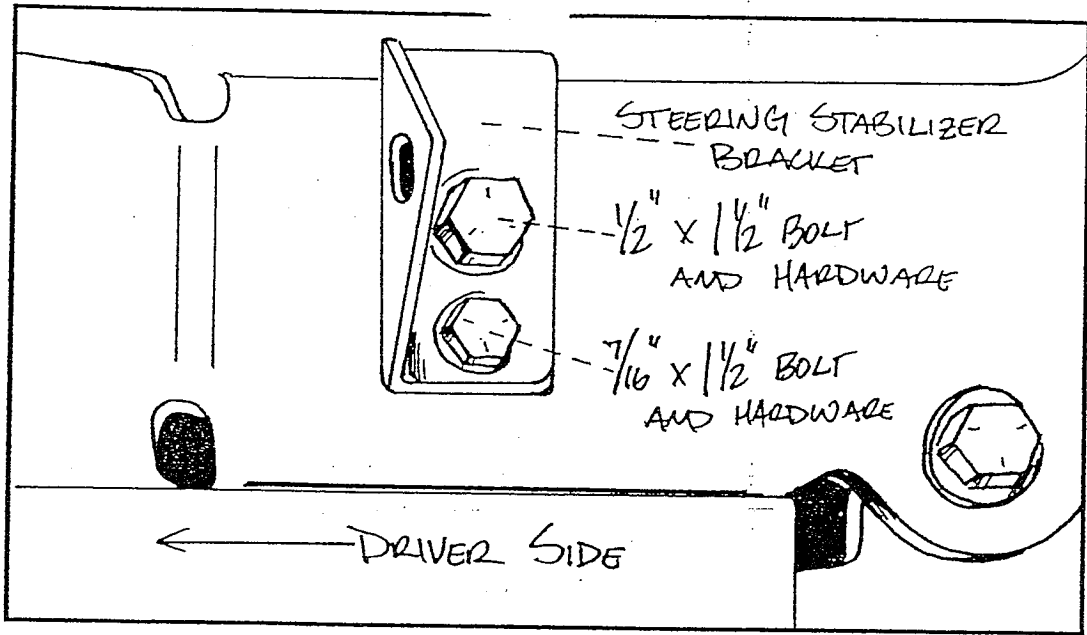


ILLUSTRATION # 31

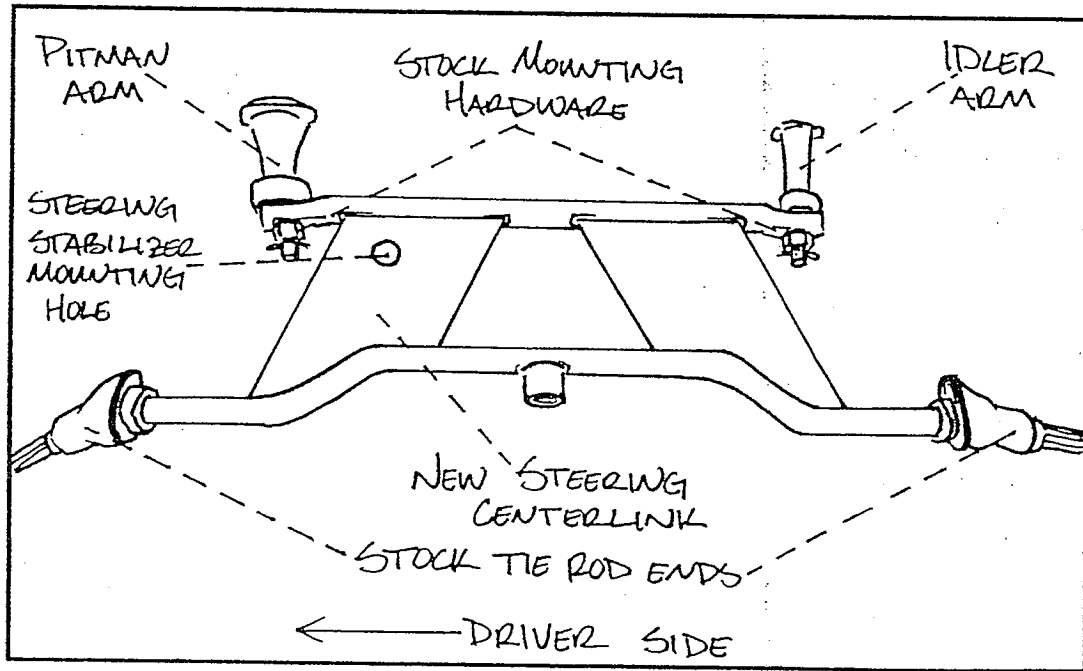


ILLUSTRATION # 32

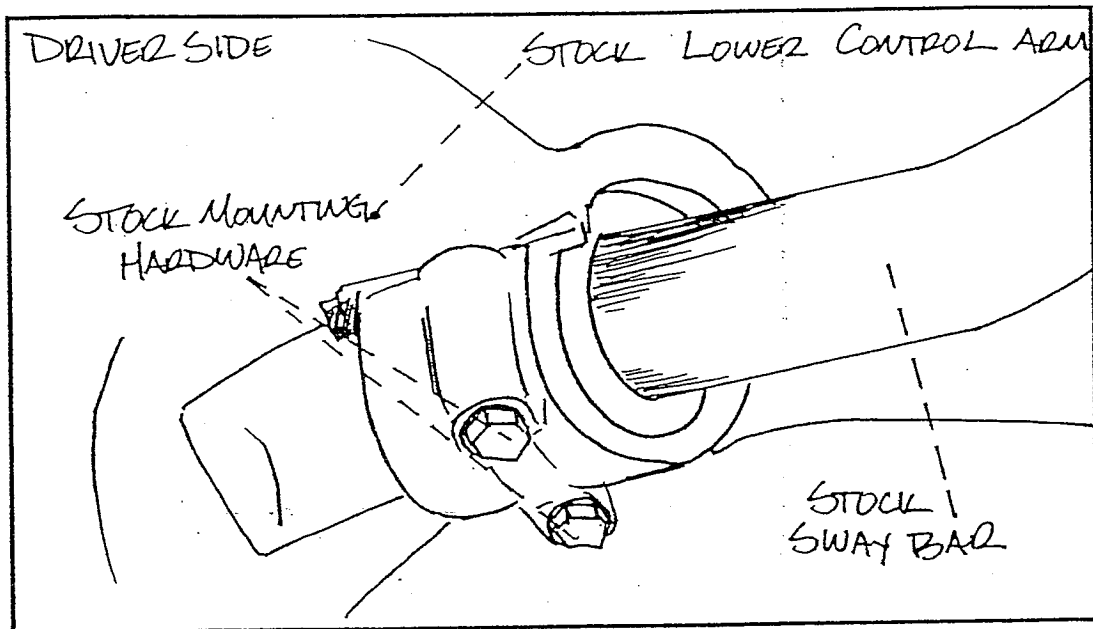
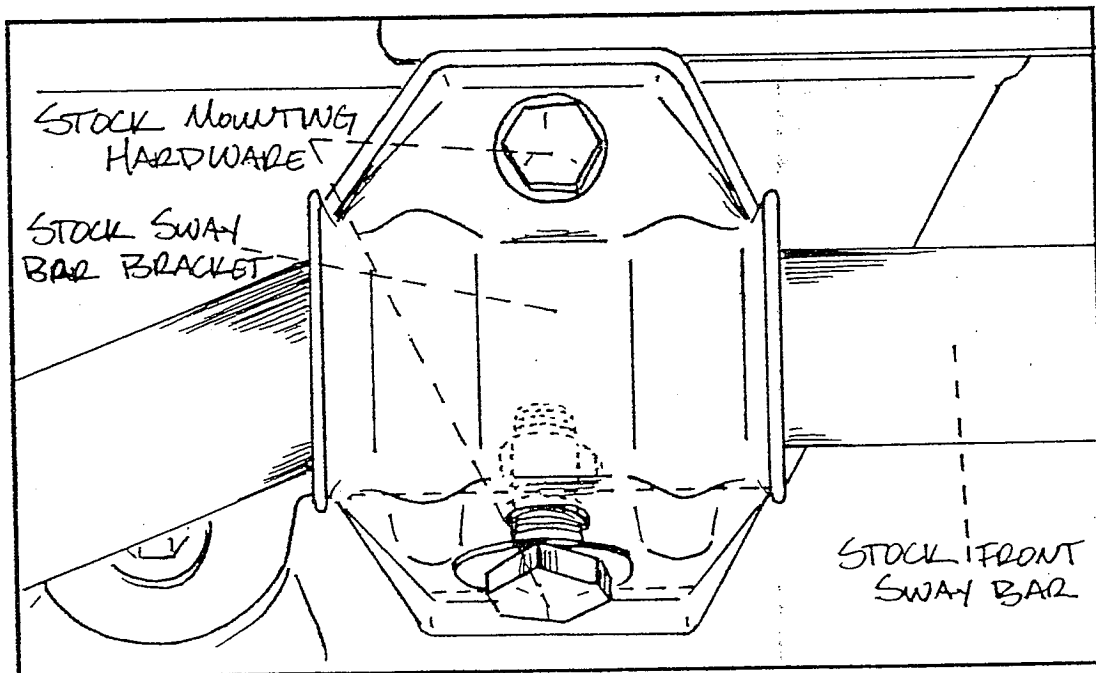


ILLUSTRATION # 33



ILLUSTRATION# 34

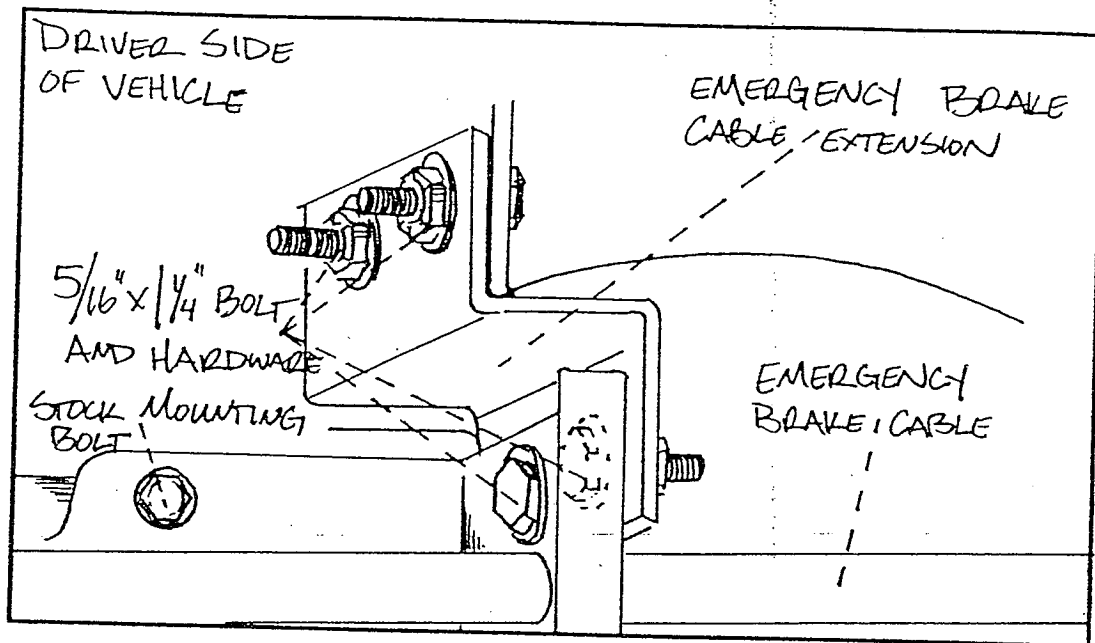


ILLUSTRATION # 35

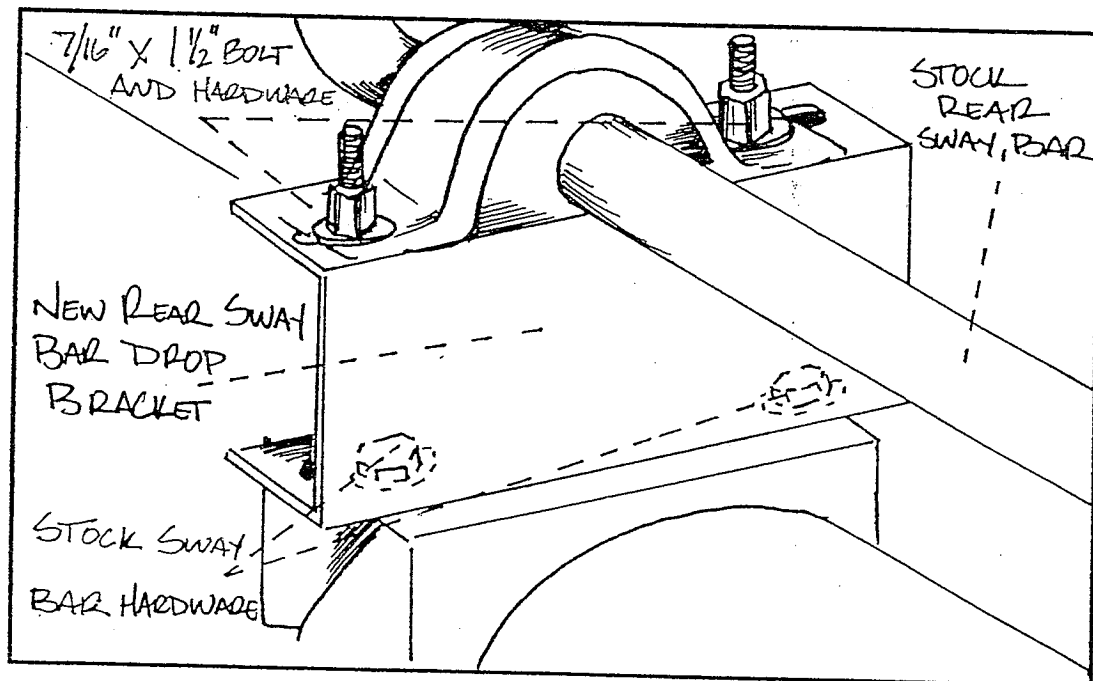


ILLUSTRATION # 36

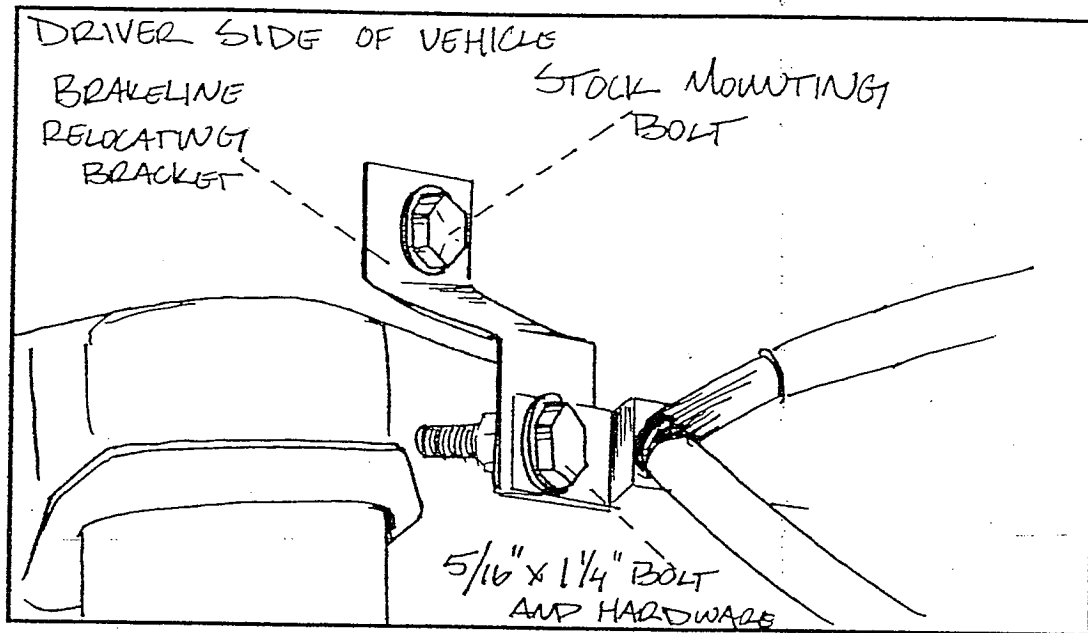


ILLUSTRATION # 37

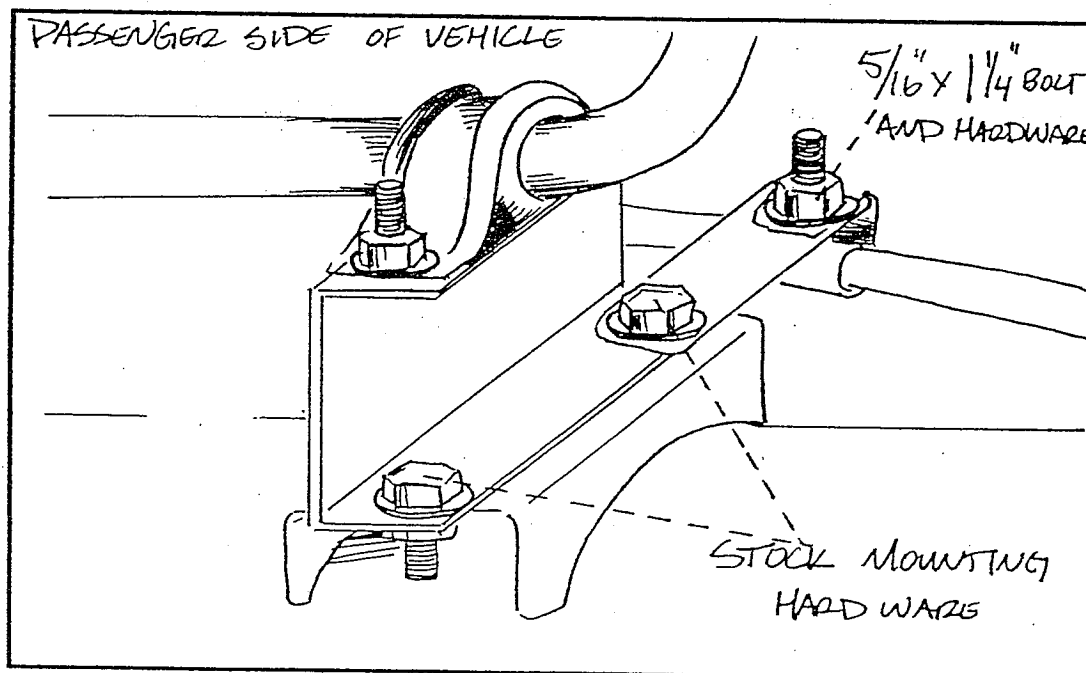


ILLUSTRATION # 38

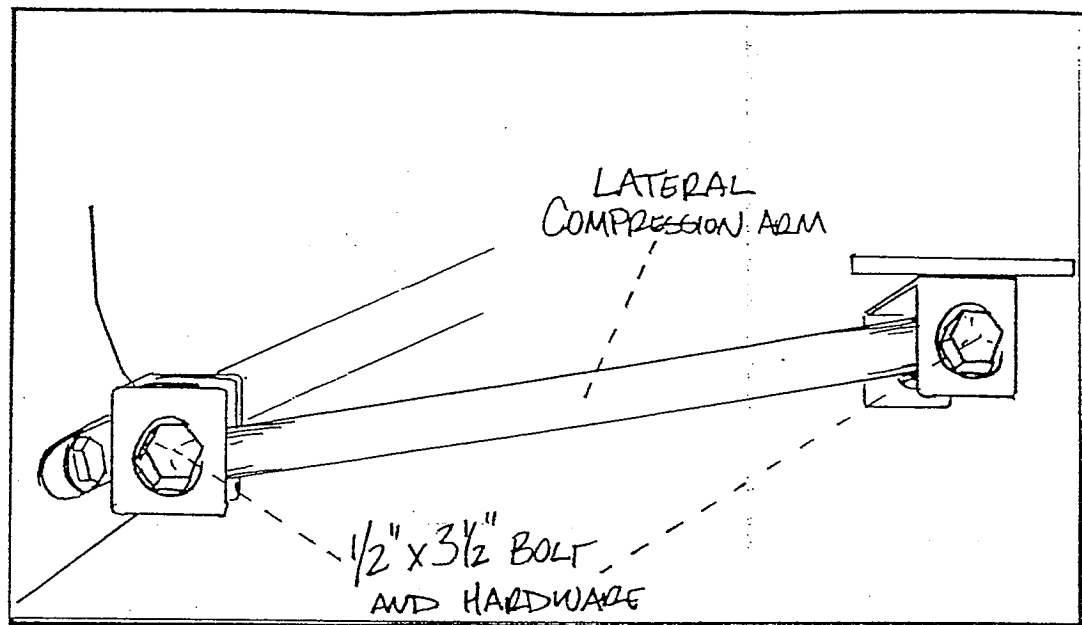


ILLUSTRATION # 39

Dodge Durango / Dakota Parts Description



Photo # 1

(Top) Lower Rear Cross Member (Middle) Front Cross Member
(Bottom) Upper Rear Cross Member

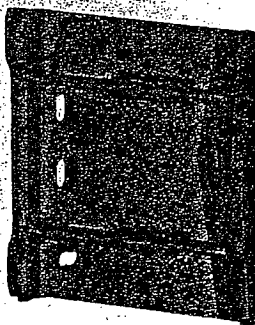
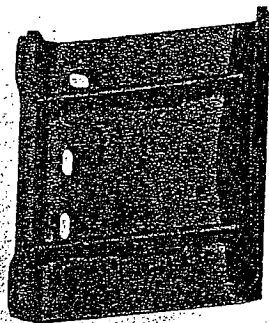


Photo # 2

(Left) Upper Control Arm Drop Bracket - Driver Side
(Right) Upper Control Arm Drop Bracket - Passenger Side

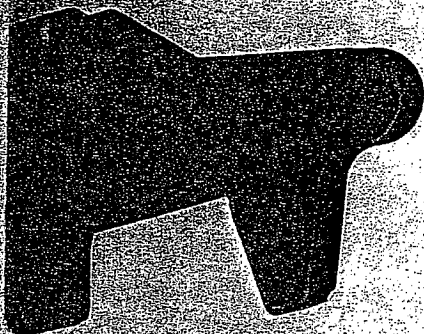


Photo # 3

Lower Control Arm Drop Bracket (Rear) - Qty. 2

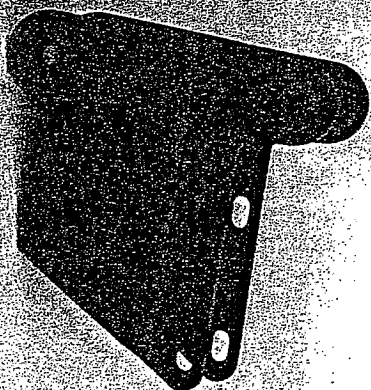


Photo # 4

Lower Control Arm Drop Brackets (Front) - Qty. 2

Dodge Durango / Dakota Parts Description Continue

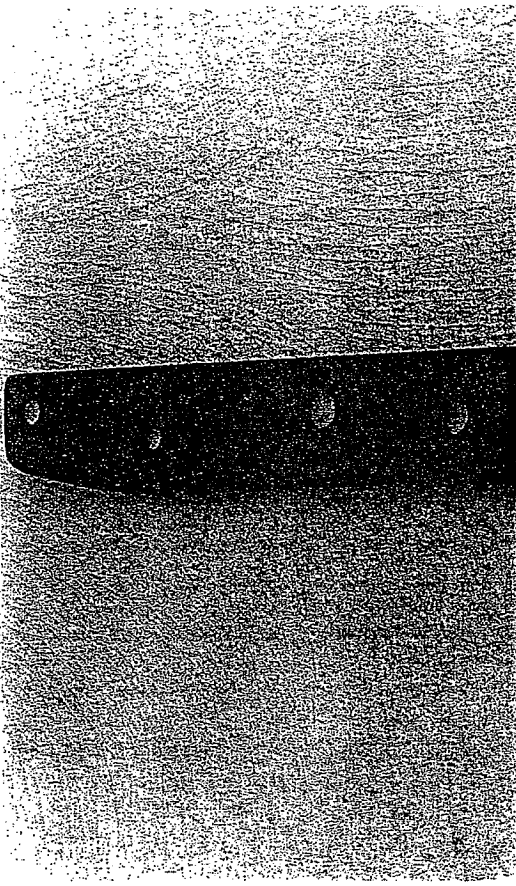


Photo # 6
Differential Drop Bracket - Passenger Side (Rear)



Photo # 5
Emergency Brake Cable Relocating Bracket (Durango Only)



Photo # 8
Differential Drop Bracket - Driver Side (Rear)

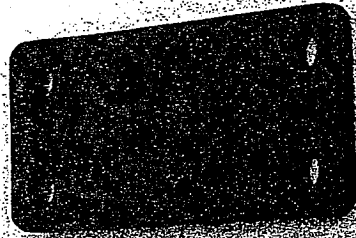


Photo # 7
(Left) Differential Drop Bracket - Passenger Side (Front) 1 3/4" center to center of holes
(Right) Differential Drop Bracket - Driver Side (Front) 2" center to center of holes



Dodge Durango / Dakota Parts Description Continue

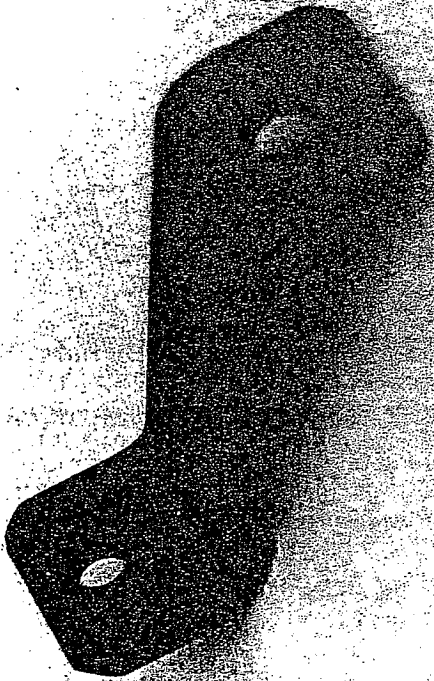


Photo # 9

Differential Drop bracket - Driver Side - Middle (Rear)

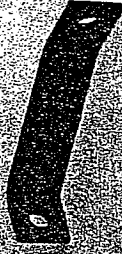


Photo # 10

(Left) Differential Kicker Support Bracket - Driver Side - Longer
(Right) Differential Kicker Support Bracket - Passenger Side - Short

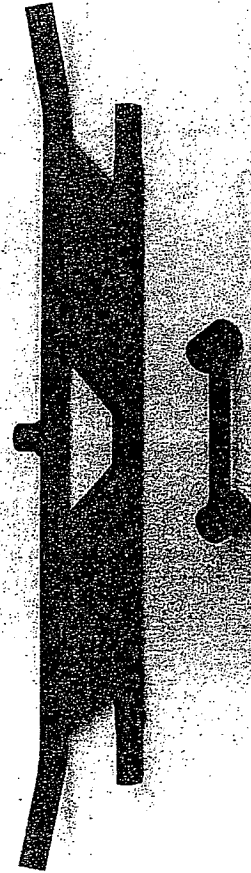


Photo # 11

(Top) Steering Center Link
(Bottom) Steering Assist



Photo # 12

(Top) Lateral Compression Arm Mount Plate (Middle) Lateral Compression Arms Qty. 2 (Bottom) Lateral Compression Arm Mounts Qty. 4

Dodge Durango / Dakota Parts Description Continue

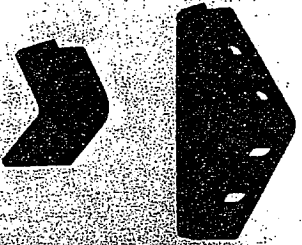


Photo # 13

(Top) Rear Upper Control Support Bracket - Qty. 2
(Bottom) Front Upper Control Arm Support Bracket - Qty. 2

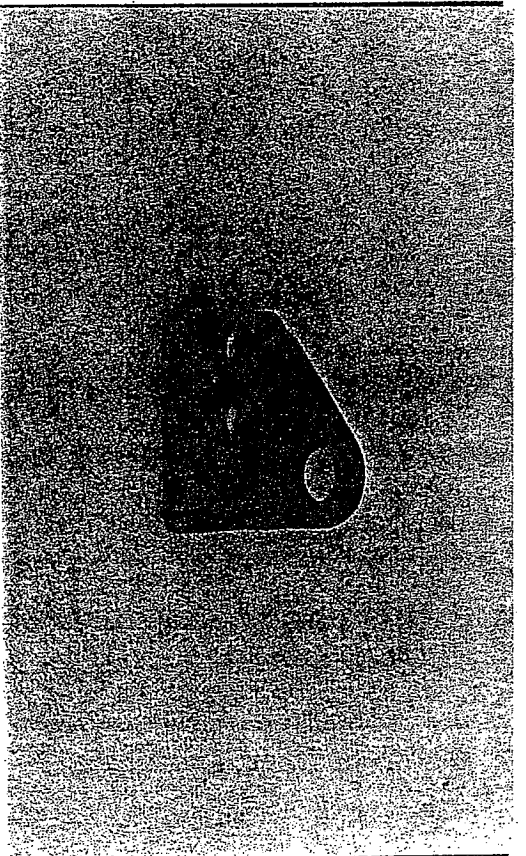


Photo # 14

Steering Stabilizer Bracket

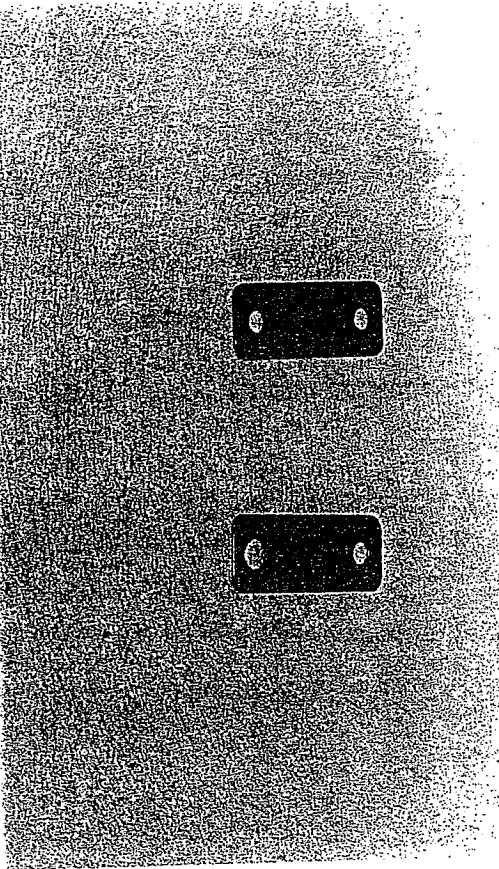


Photo # 15

Brakeline Extensions (3) 1/2" Hole x 5/16" Hole
Brakeline Extension (1) 5/16" x 5/16" Hole

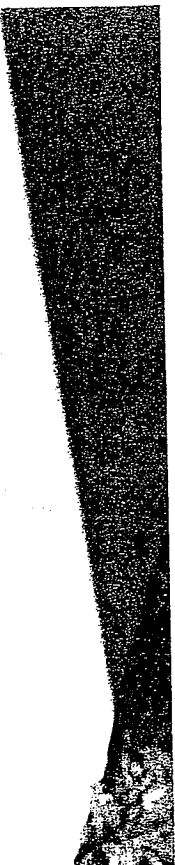


Photo # 16

Rear Sway Bar Extensions - Durango Only



Dodge Durango / Dakota Parts Description Continue

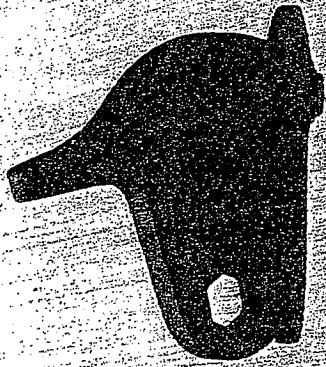


Photo # 17

Torsion Bar Drop Blocks - Qty. 2

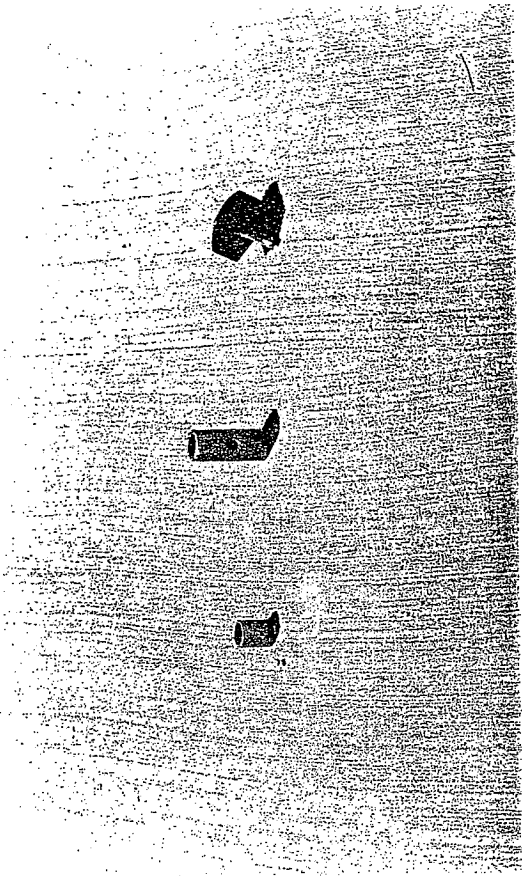


Photo # 18

(Left) Differential Spacer Sleeves - Qty. 4 (Middle) 916218SLWH Qty. 2
916218SLWOH Qty. 4 (Right) Bump Stops - Qty. 4