

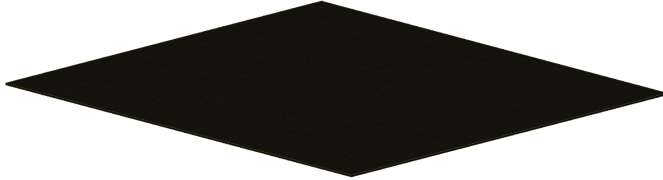


INSTALLATION INSTRUCTIONS

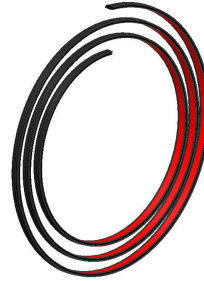
Finish Trim Kit #229, #263, #273, OR #864
for #167, #171, #258, OR #257 Drawer Enclosure

Please read and fill out the enclosed warranty registration card to activate your warranty.

PARTS INCLUDED



#1 Finish material



#2 Edge trim

PARTS SOLD SEPARATELY



Part# 861 (1) can of high temperature adhesive

TOOLS AND SUPPLIES NEEDED

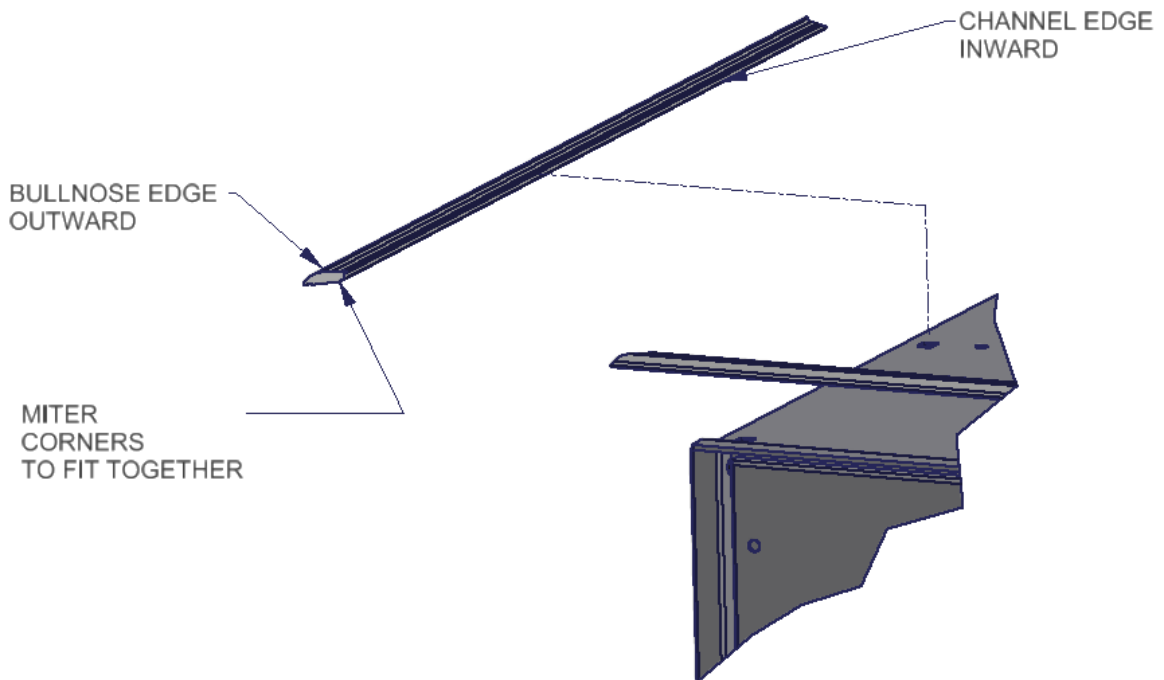
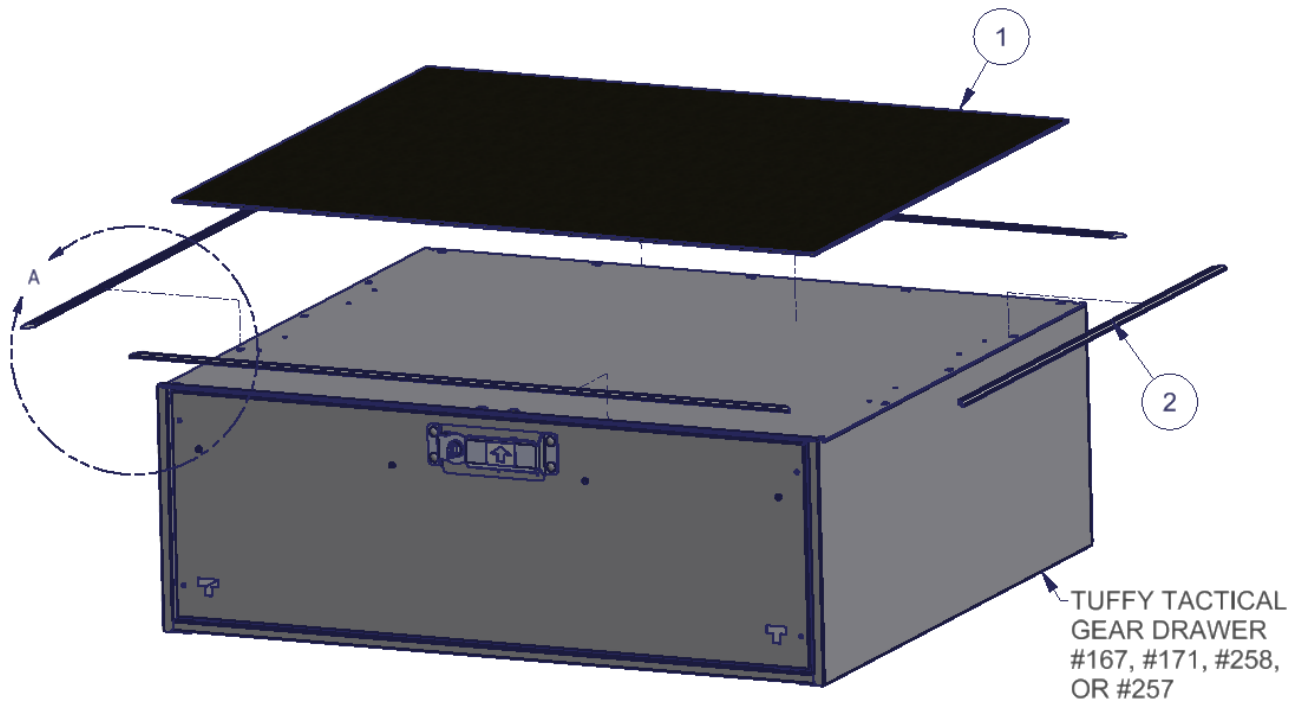
- Utility Knife

INSTALLATION

NOTE: Due to the many variations in drawer sizes the actual parts in the trim kit may be a different size than the illustrated sizes on these instructions.

1. The #2 Edge Trim is supplied un-cut in a roll. Cut the #2 Edge Trim into (4) pieces to match the length and width of the drawer. ****NOTE: (2) pieces must match the length dimension and (2) pieces must match the width dimension. (Figure 1).**
2. For a cleaner installation, miter the corners of the #2 Edge Trim pieces as illustrated. (Figure 1)
3. Peel off the adhesive backing on the #2 Edge Trim pieces and affix the appropriate cut piece to each edge of the top of the drawer. Align the bullnose edge to the outside edge of the drawer. The channel edge of the #2 Edging is designed to capture the cut edge of the #1 Finish Material and should be facing inward to the middle of the drawer. (Figure 1)
4. The #1 Finish material is pre-cut to fit the approximate size of the top of the tactical gear drawer. Test fit the #1 Finish material to the inner dimensions of the applied #2 Edge Trim. Trim the #1 Finish Material to size if required. (Figure 1)
5. Apply adhesive to the enclosure and/or finish material and affix it to the drawer enclosure. It generally works the best to do small sections at a time. (Figure 1)

FIGURE 1



DETAIL A

Call (970) 564-1762 for Technical Support